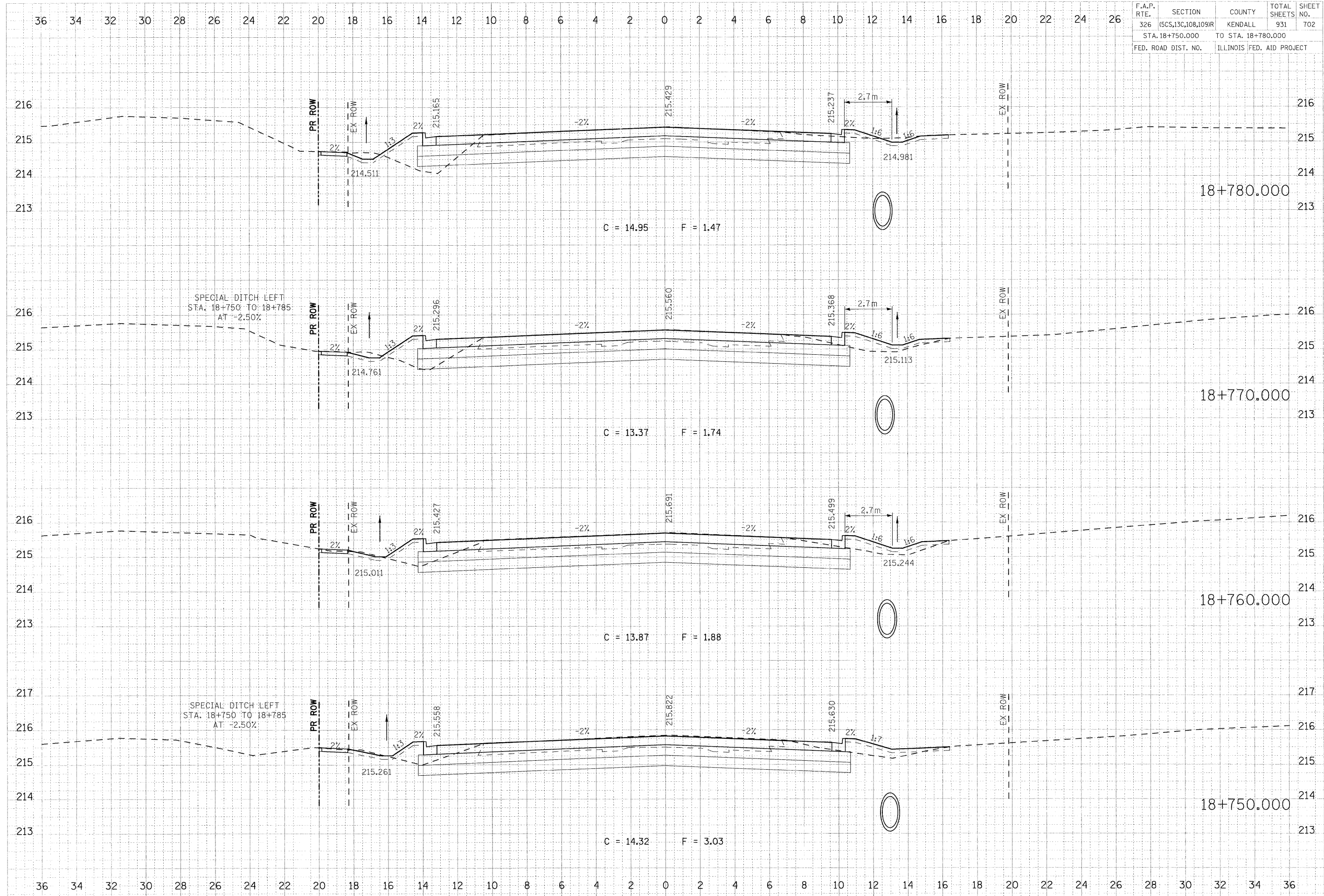


F.A.P. RTE.	SECTION	COUNTY	TOTAL SHEETS	SHEET NO.
326	(5CS,13C,108,109)R	KENDALL	931	702
STA. 18+750.000		TO STA. 18+780.000		
FED. ROAD DIST. NO.		ILLINOIS FED. AID PROJECT		



FINAL SURVEY PLOTTED
NOTE BOOK AREAS CHECKED

ORIGINAL SURVEY PLOTTED
NOTE BOOK AREAS CHECKED

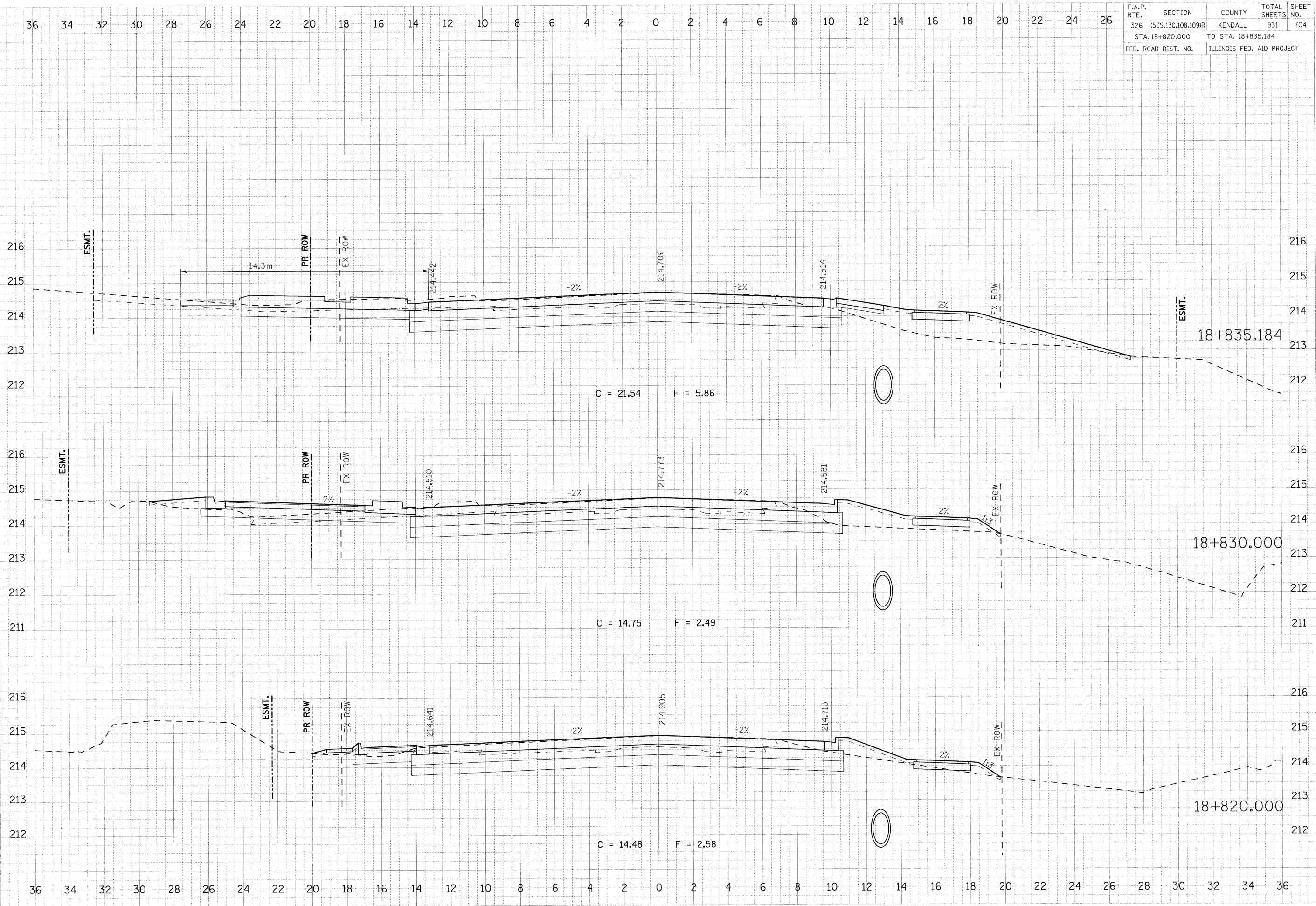
PLOT DATE = 07/26/2011
FILE NAME = 693-792XS Sta 18+750.dgn
PLOT SCALE = 0.1200 m / MM.
USER NAME = USERDESCR

F.A.P. RTE.	SECTION	COUNTY	TOTAL SHEETS	SHEET NO.
326	(SCS,13C,108,109)R	KENDALL	931	704
STA. 18+820.000		TO STA. 18+835.184		
FED. ROAD DIST. NO.		ILLINOIS FED. AID PROJECT		

DATE	BY	REVISION

DATE	BY	REVISION

PLOT DATE = 07/26/2001
 FILE NAME = 69378265.dwg
 USER NAME = JUSERDESCR

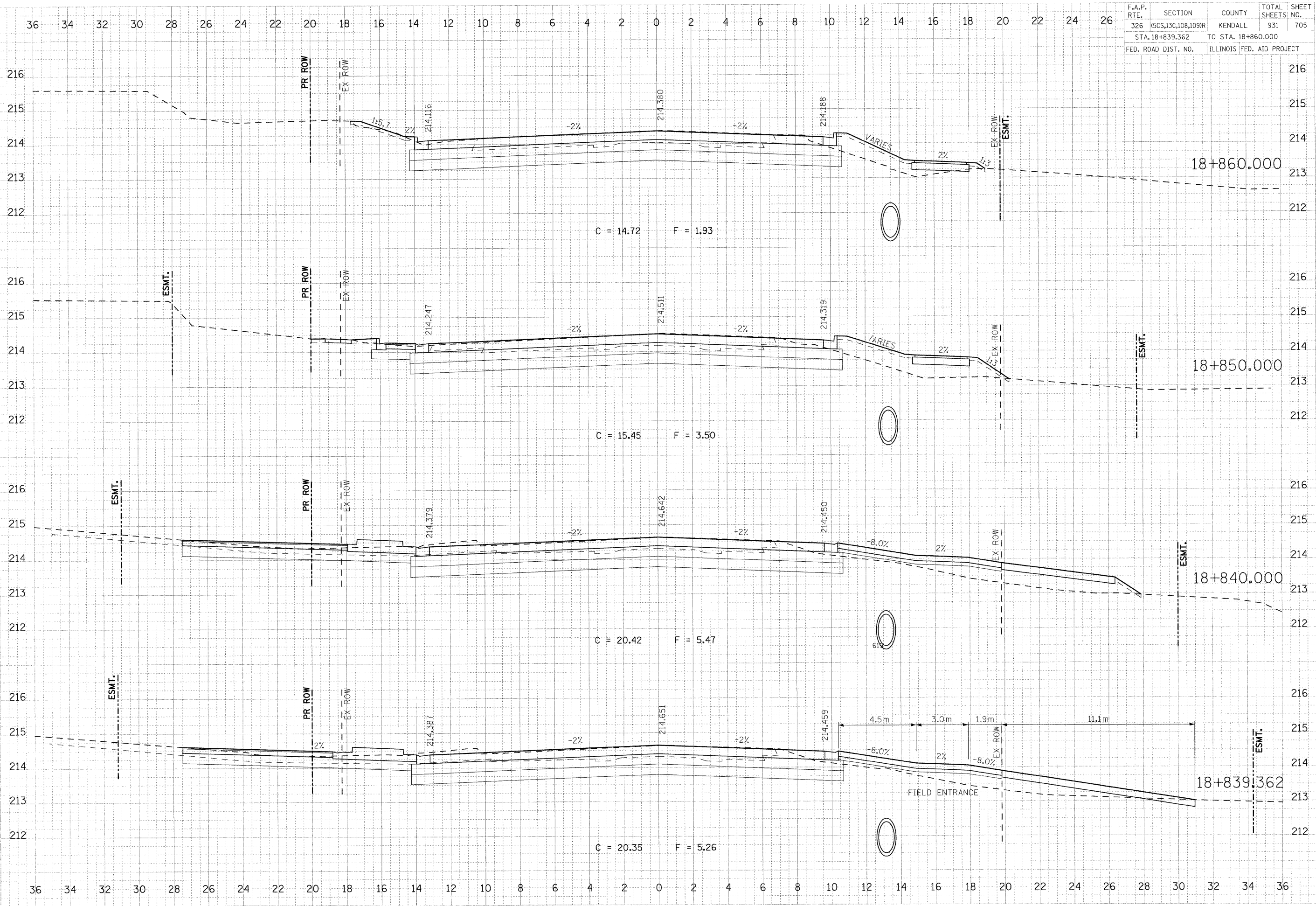


F.A.P. RTE.	SECTION	COUNTY	TOTAL SHEETS	SHEET NO.
326	(SCS,13C,108,109)R	KENDALL	931	705
STA. 18+839.362		TO STA. 18+860.000		
FED. ROAD DIST. NO.		ILLINOIS FED. AID PROJECT		

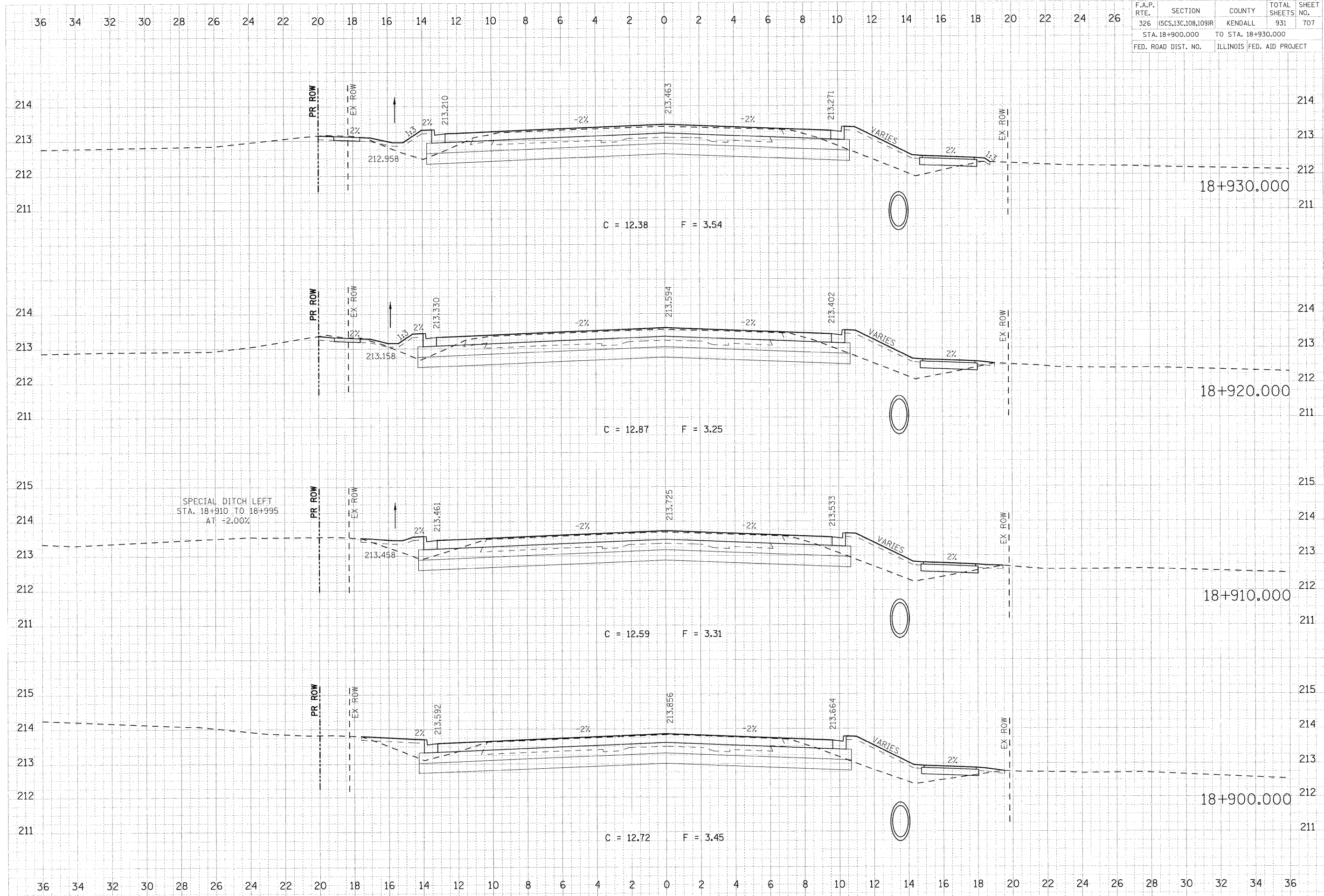
DATE	BY
DATE	BY
DATE	BY
DATE	BY
DATE	BY

DATE	BY
DATE	BY
DATE	BY
DATE	BY
DATE	BY

PLOT DATE = 07/26/2011
 FILE NAME = 60378205.mwf_47a.dgn
 USER NAME = JSDRDESCR



F.A.P. RTE.	SECTION	COUNTY	TOTAL SHEETS	SHEET NO.
326	(SCS,13C,108,109)R	KENDALL	931	707
STA. 18+900.000		TO STA. 18+930.000		
FED. ROAD DIST. NO.		ILLINOIS FED. AID PROJECT		

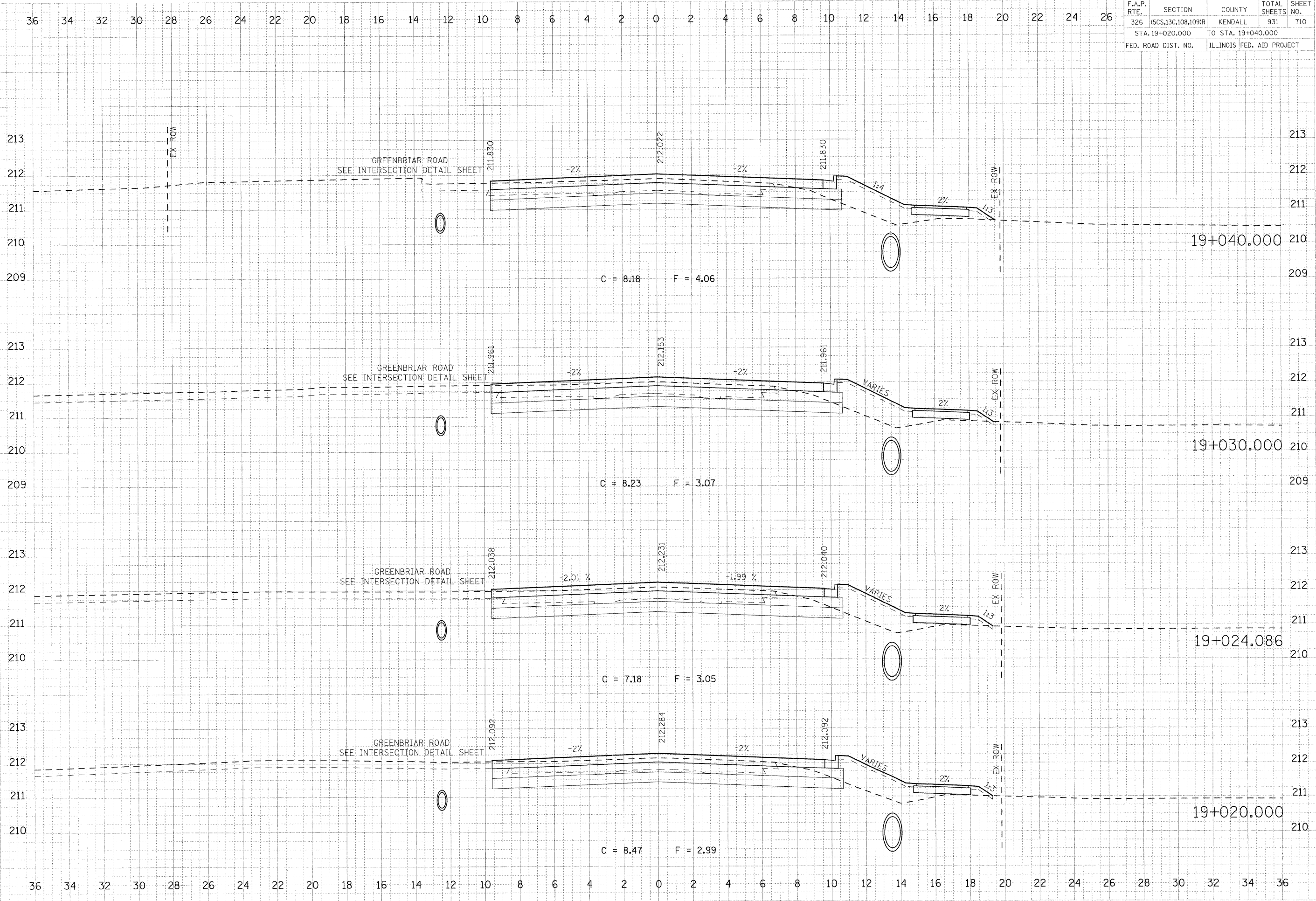


FINAL SURVEY PLOTTED BY DATE
 SURVEYED BY DATE
 NOTE BOOK TEMPLATE
 AREAS CHECKED
 AREAS CHECKED

ORIGINAL SURVEY PLOTTED BY DATE
 SURVEYED BY DATE
 NOTE BOOK TEMPLATE
 AREAS CHECKED
 AREAS CHECKED

PLOT DATE = 07/26/2001
 FILE NAME = 610762X6.MWF_47.dgn
 USER NAME = JSEBRESOR

F.A.P. RTE.	SECTION	COUNTY	TOTAL SHEETS	SHEET NO.
326	(SCS,13C,108,109)R	KENDALL	931	710
STA. 19+020.000		TO STA. 19+040.000		
FED. ROAD DIST. NO.		ILLINOIS FED. AID PROJECT		

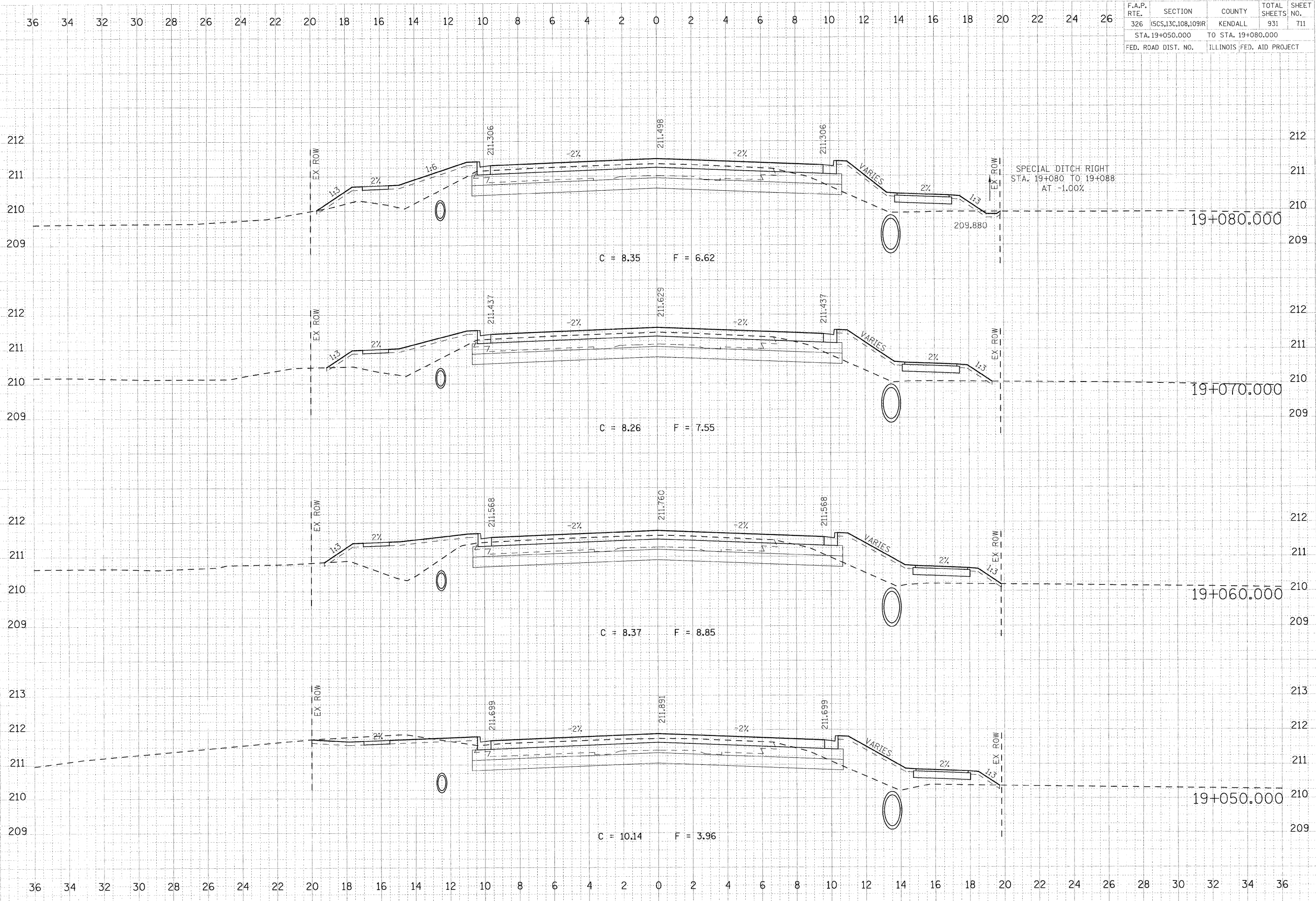


DATE	BY

DATE	BY

PLOT DATE = 07/26/2011
 FILE NAME = 6178265.mxf-47a.dgn
 USER NAME = USERDESCR

F.A.P. RTE.	SECTION	COUNTY	TOTAL SHEETS	SHEET NO.
326	15CS,13C,108,109R	KENDALL	931	711
STA. 19+050.000		TO STA. 19+080.000		
FED. ROAD DIST. NO.		ILLINOIS FED. AID PROJECT		

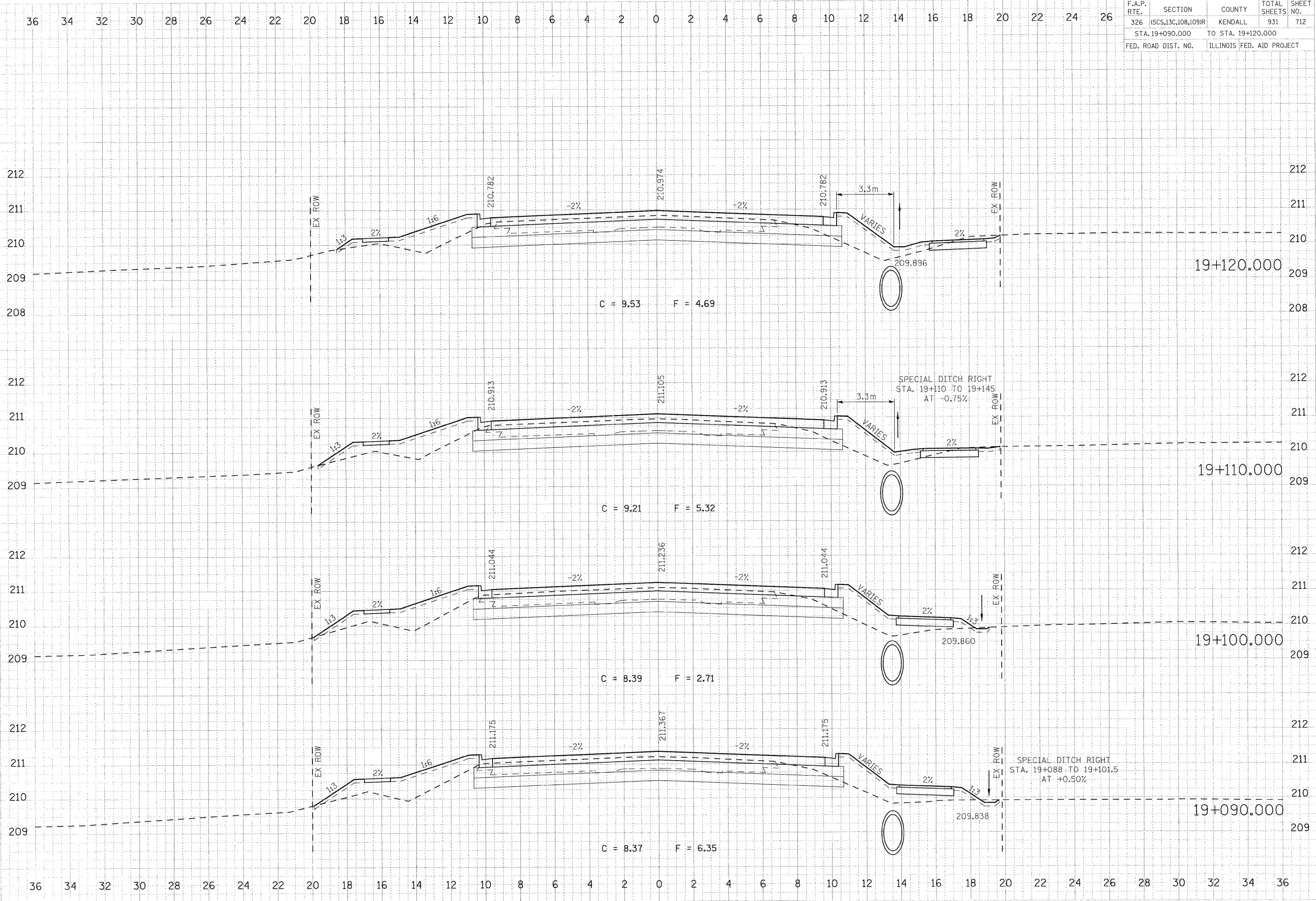


DATE: _____ BY: _____
 SURVEYED: _____
 CHECKED: _____
 DATE: _____ BY: _____
 SURVEYED: _____
 CHECKED: _____

DATE: _____ BY: _____
 SURVEYED: _____
 CHECKED: _____
 DATE: _____ BY: _____
 SURVEYED: _____
 CHECKED: _____

PLOT DATE = 07/26/2011
 FILE NAME = 6782X6-141-f.dgn
 USER NAME = USERDESCR

F.A.P. RTE.	SECTION	COUNTY	TOTAL SHEETS	SHEET NO.
326	(SCS,13C,108,109)R	KENDALL	931	712
STA. 19+090.000		TO STA. 19+120.000		
FED. ROAD DIST. NO.		ILLINOIS FED. AID PROJECT		



C = 9.53 F = 4.69

C = 9.21 F = 5.32

C = 8.39 F = 2.71

C = 8.37 F = 6.35

SPECIAL DITCH RIGHT
STA. 19+110 TO 19+145
AT -0.75%

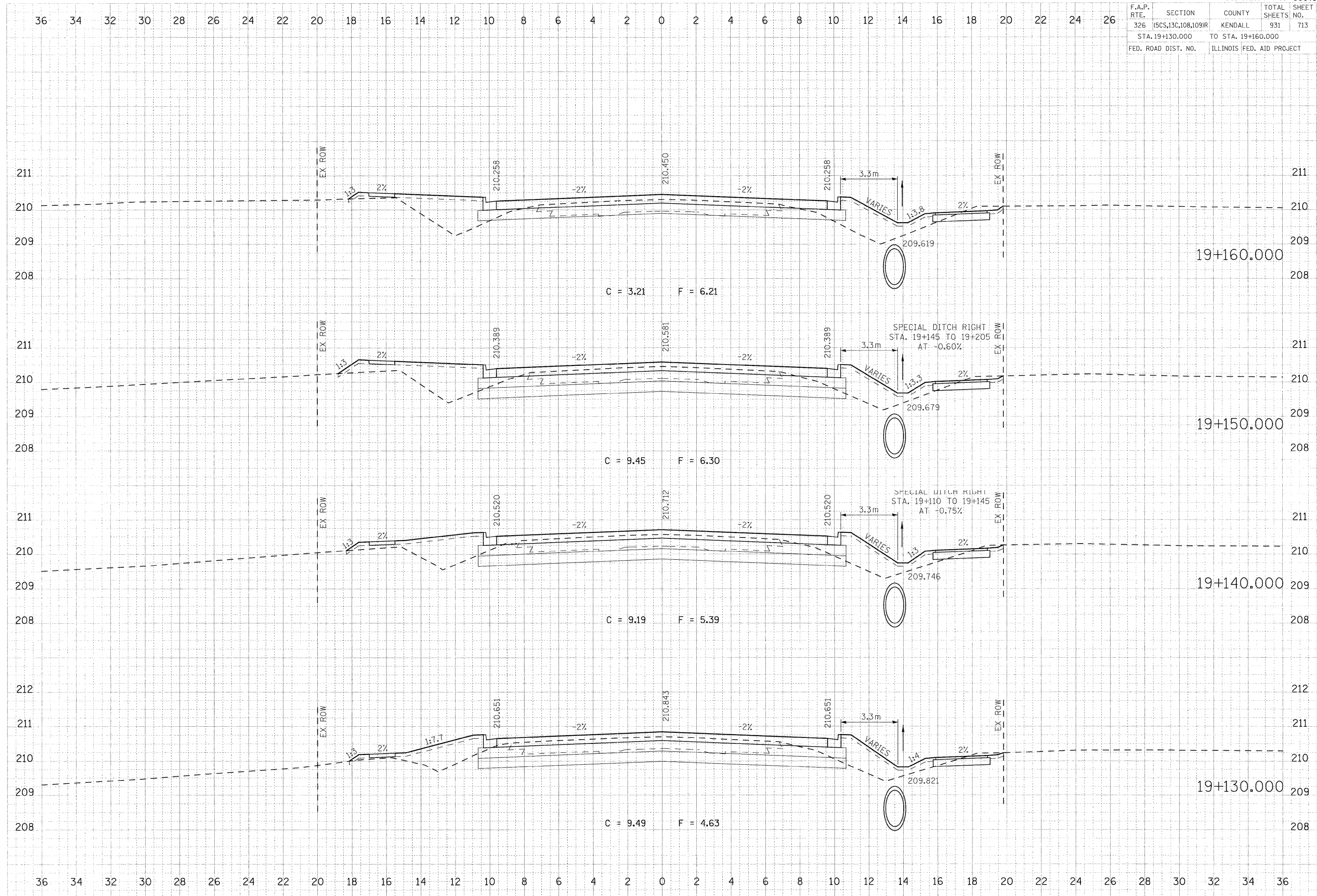
SPECIAL DITCH RIGHT
STA. 19+088 TO 19+101.5
AT +0.50%

DATE: 07/25/2011
 SURVEYED BY: J. J. BROWN
 CHECKED BY: J. J. BROWN
 ORIGINAL SURVEY PLOTS: 19+090.000 TO 19+120.000
 DATE: 07/25/2011
 USER: J. J. BROWN

DATE: 07/25/2011
 SURVEYED BY: J. J. BROWN
 CHECKED BY: J. J. BROWN
 ORIGINAL SURVEY PLOTS: 19+090.000 TO 19+120.000
 DATE: 07/25/2011
 USER: J. J. BROWN

PLOT DATE = 07/25/2011
 FILE NAME = 613782XS.svd_47s.dgn
 USER NAME = J. J. BROWN

F.A.P. RTE.	SECTION	COUNTY	TOTAL SHEETS NO.
326	5CS,13C,108,109R	KENDALL	931 713
STA. 19+130.000		TO STA. 19+160.000	
FED. ROAD DIST. NO.		ILLINOIS FED. AID PROJECT	

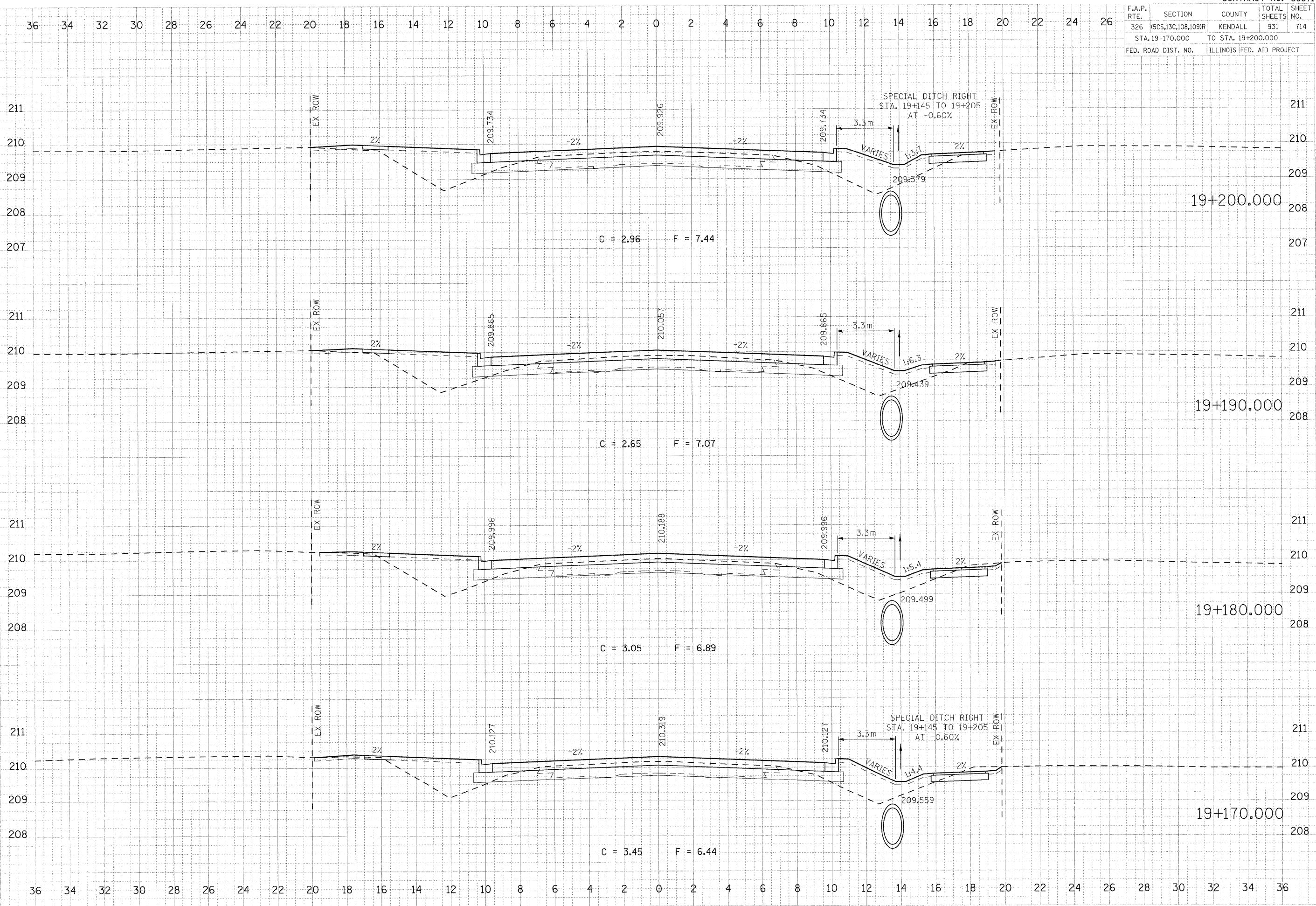


FINAL SURVEY DATE
 SURVEYED BY
 CHECKED BY
 NOTE BODY AREAS
 AREAS CHECKED

ORIGINAL SURVEY DATE
 SURVEYED BY
 CHECKED BY
 NOTE BODY AREAS
 AREAS CHECKED

PLOT DATE = 07/26/2011
 FILE NAME = 693-79323
 PLOT SCALE = 0.1000 m / MM.
 USER NAME = USERDESCR

F.A.P. RTE.	SECTION	COUNTY	TOTAL SHEETS	SHEET NO.
326	(SCS,13C,108,109)R	KENDALL	931	714
STA. 19+170.000		TO STA. 19+200.000		
FED. ROAD DIST. NO.		ILLINOIS FED. AID PROJECT		

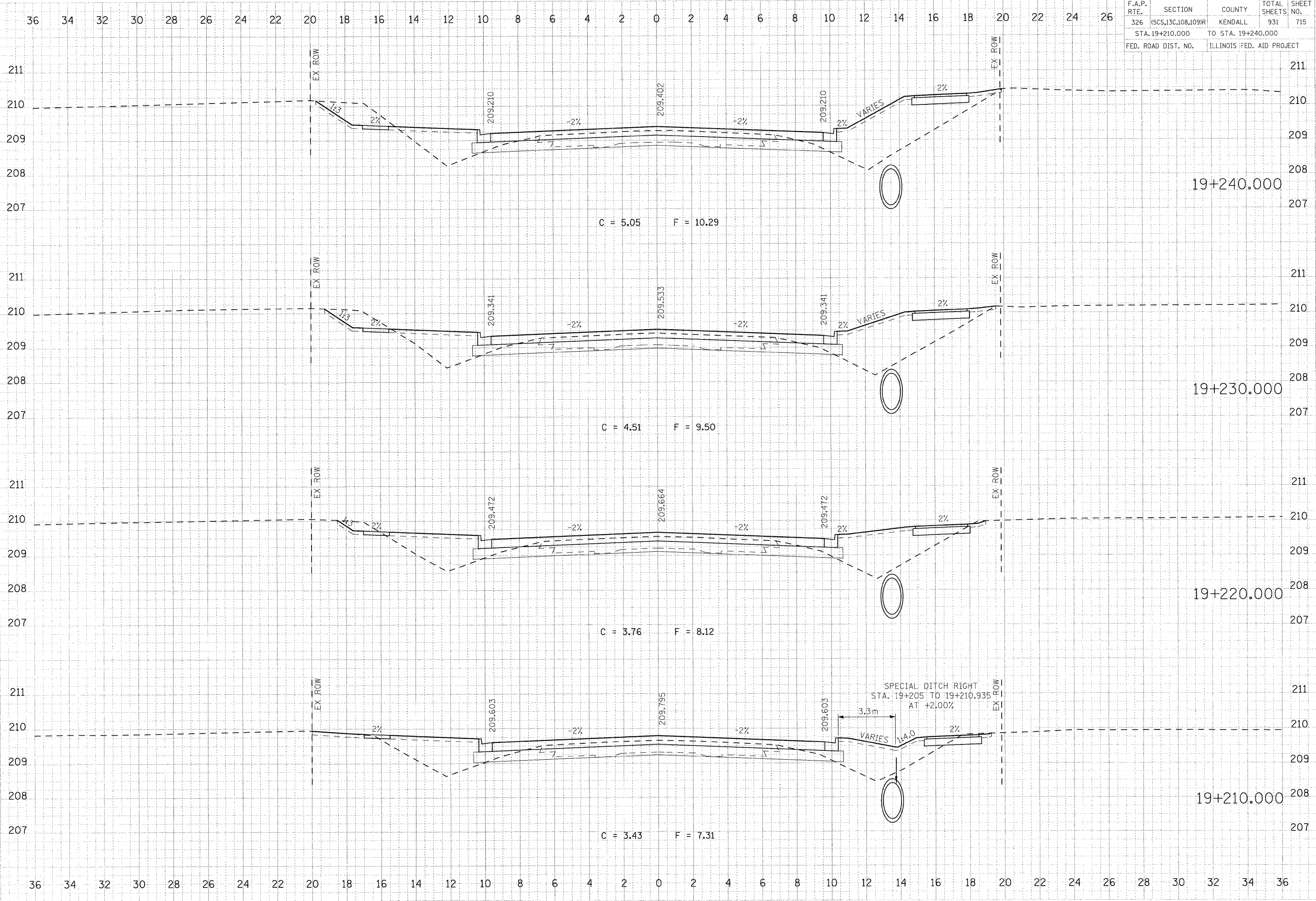


DATE: _____
 SURVEY: _____
 NOTE: _____
 NO. _____

DATE: _____
 SURVEY: _____
 NOTE: _____
 NO. _____

PLOT DATE = 07/26/2011
 FILE NAME = 63976265.dwg
 USER NAME = USERDESCR

F.A.P. RTE.	SECTION	COUNTY	TOTAL SHEETS	SHEET NO.
326	(SCS,13C,108,109)R	KENDALL	931	715
STA. 19+210.000		TO STA. 19+240.000		
FED. ROAD DIST. NO.		ILLINOIS FED. AID PROJECT		

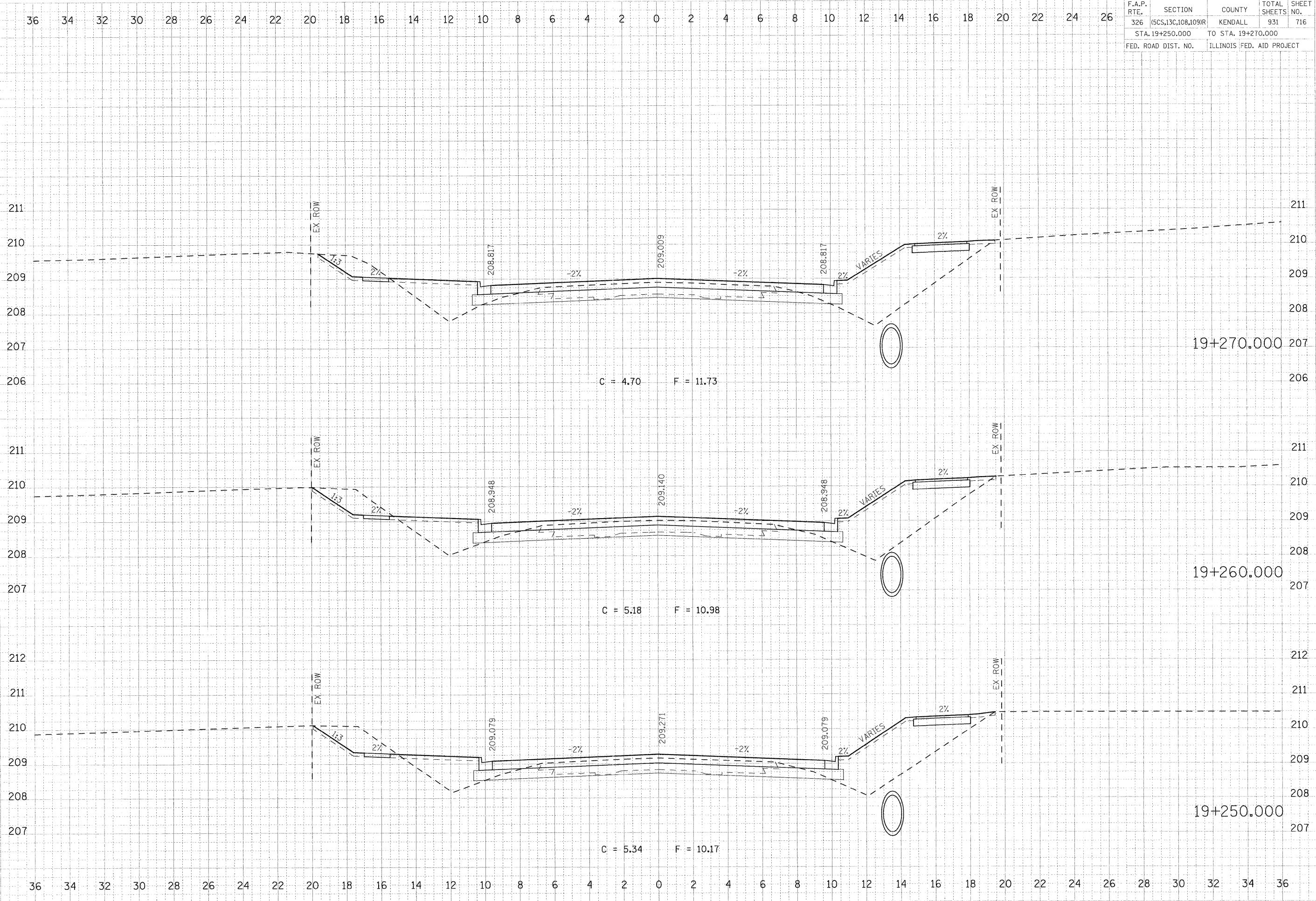


FINAL SURVEY
 SURVEYED BY
 CHECKED BY
 DATE

ORIGINAL SURVEY
 SURVEYED BY
 CHECKED BY
 DATE

PLOT DATE = 07/26/2011
 FILE NAME = 60978265.wmf.47a.dgn
 USER NAME = JUSRESCH

F.A.P. RTE.	SECTION	COUNTY	TOTAL SHEETS	SHEET NO.
326	(SCS,13C,108,109)R	KENDALL	931	716
STA. 19+250.000		TO STA. 19+270.000		
FED. ROAD DIST. NO.		ILLINOIS FED. AID PROJECT		

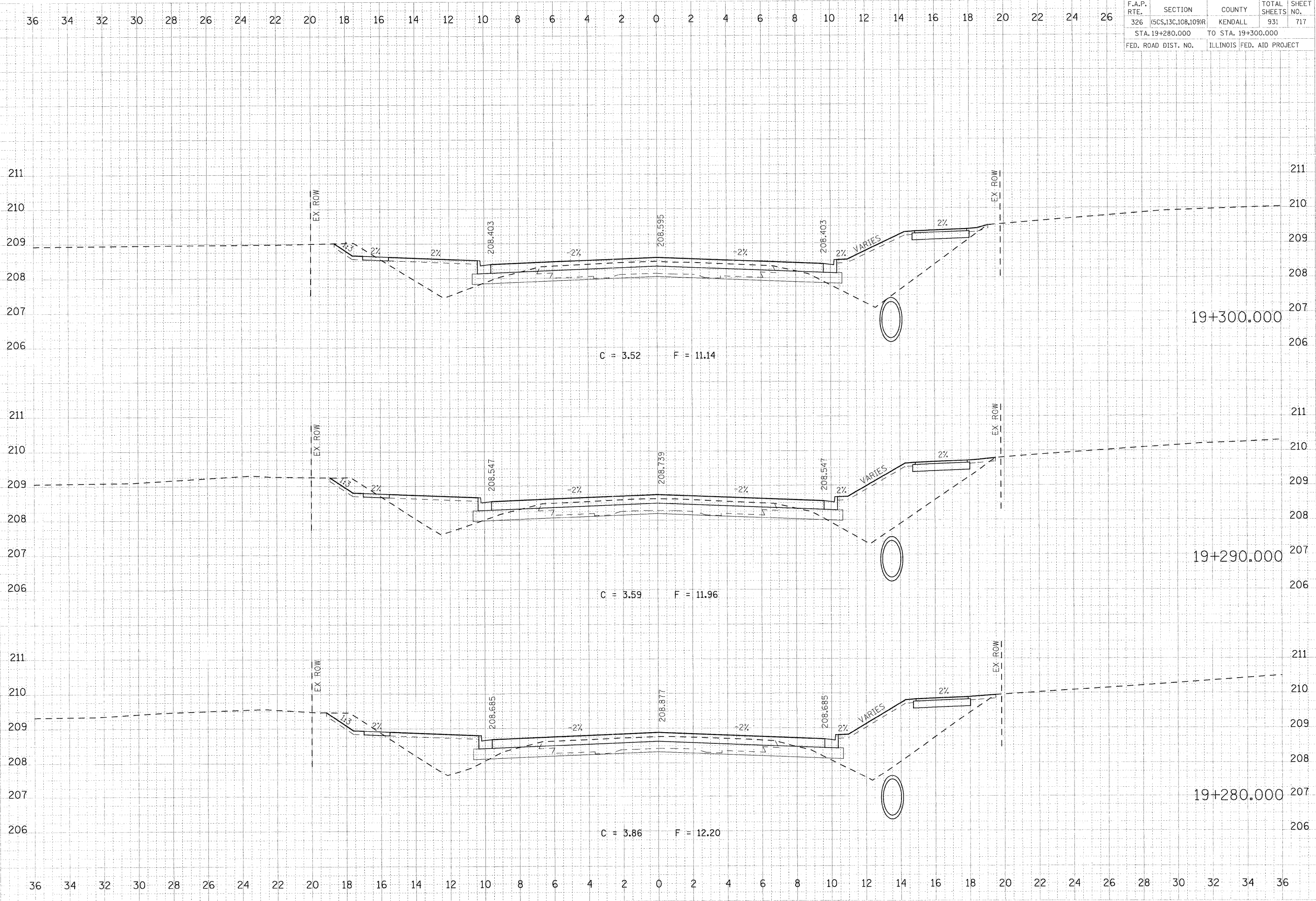


FINAL SURVEY	BY	DATE
NOTED BY		
APPROVED		
NO.		

ORIGINAL SURVEY	BY	DATE
NOTED BY		
APPROVED		
NO.		

PLOT DATE = 07/26/2011
 FILE NAME = 610726216.mxd-47.dgn
 USER NAME = USERESOR

F.A.P. RTE.	SECTION	COUNTY	TOTAL SHEETS	SHEET NO.
326	(SCS,13C,108,109)R	KENDALL	931	717
STA. 19+280.000		TO STA. 19+300.000		
FED. ROAD DIST. NO.		ILLINOIS FED. AID PROJECT		

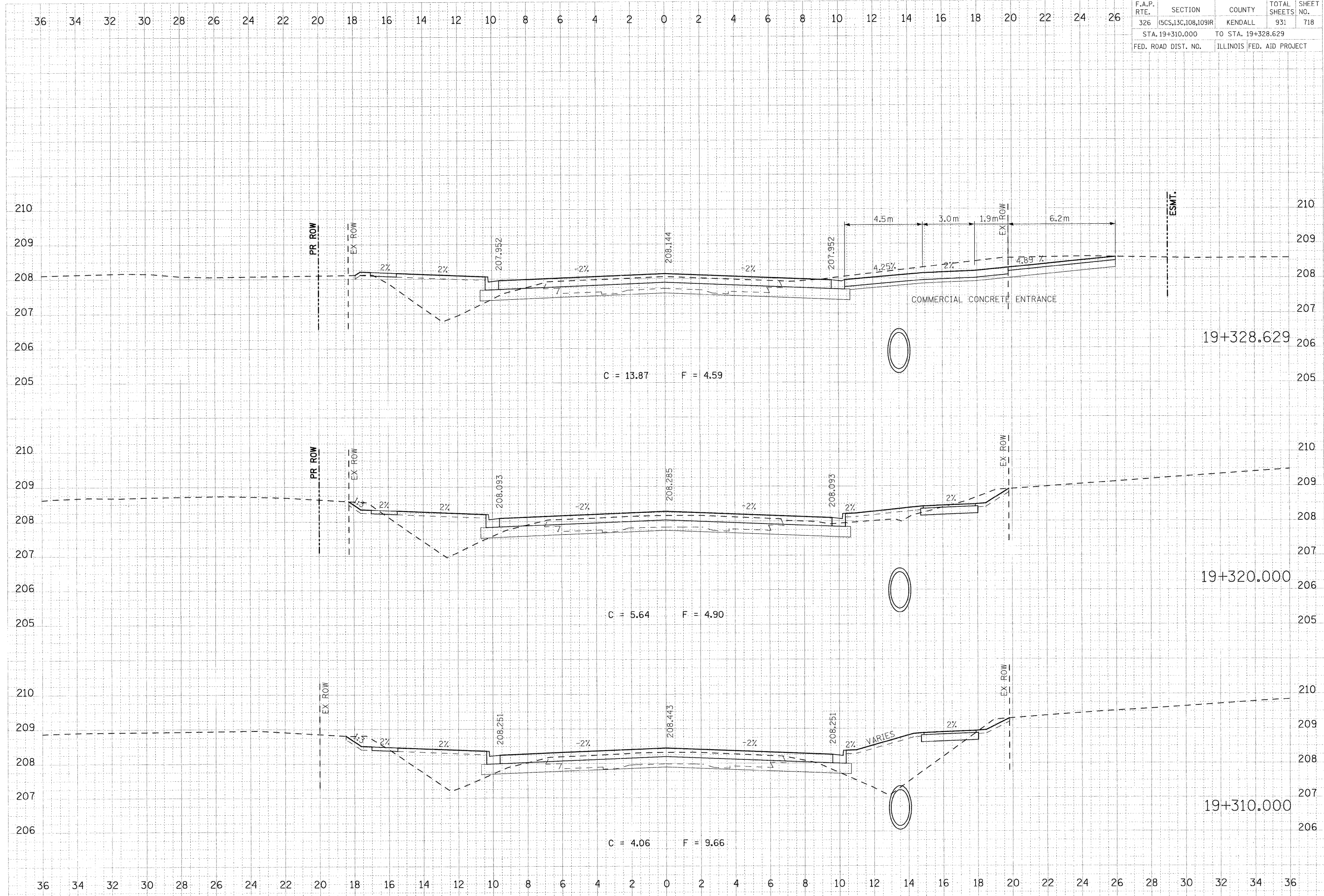


FINAL SURVEY
 SURVEYED
 NOTE BOOK
 AREAS
 CHECKED

ORIGINAL SURVEY
 SURVEYED
 NOTE BOOK
 AREAS
 CHECKED

PLOT DATE = 07/26/2001
 FILE NAME = 510782KS.wmf-47.dgn
 USER NAME = USERDESCR

F.A.P. RTE.	SECTION	COUNTY	TOTAL SHEETS	SHEET NO.
326	(SCS,13C,108,109)R	KENDALL	931	718
STA. 19+310.000		TO STA. 19+328.629		
FED. ROAD DIST. NO.		ILLINOIS FED. AID PROJECT		

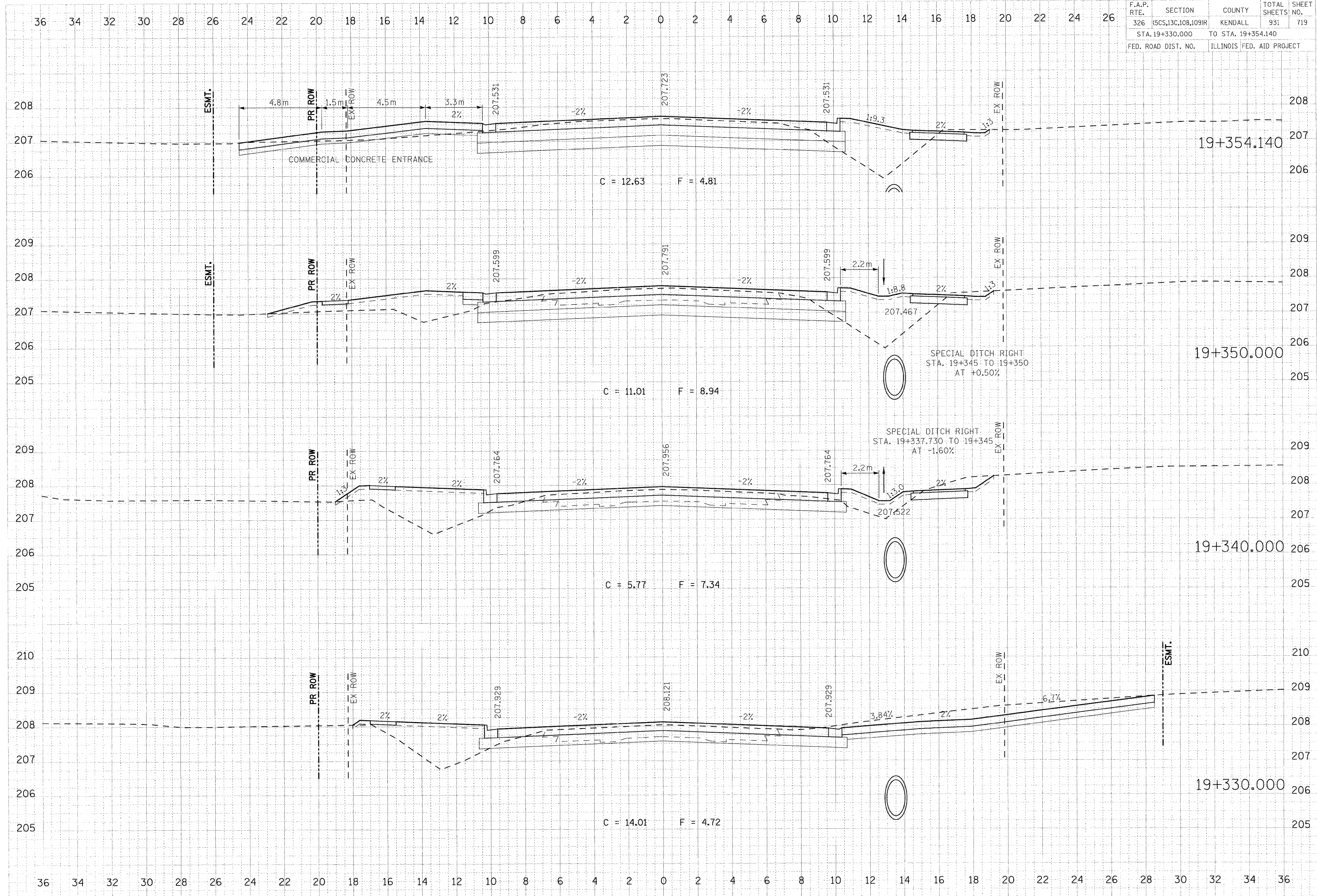


FINAL SURVEY
 SURVEY
 DATE
 BY
 NO.

ORIGINAL SURVEY
 SURVEY
 DATE
 BY
 NO.

PLOT DATE = 07/26/2011
 FILE NAME = 617826.MNF_47a.dgn
 USER NAME = USERDESCR

F.A.P. RTE.	SECTION	COUNTY	TOTAL SHEETS	SHEET NO.
326	6CS,13C,108,109R	KENDALL	931	719
STA. 19+330.000		TO STA. 19+354.140		
FED. ROAD DIST. NO.		ILLINOIS FED. AID PROJECT		

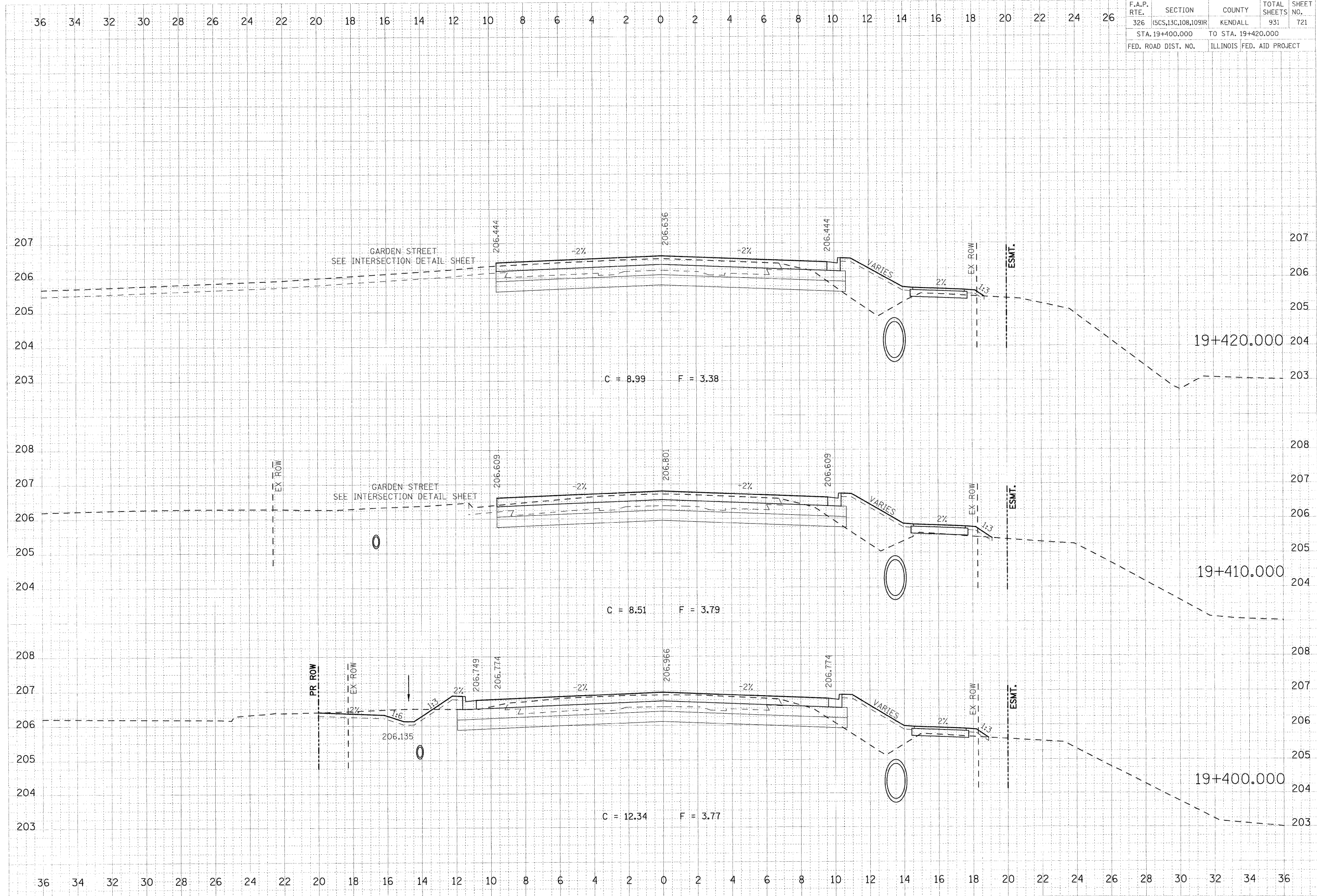


DATE: _____ BY: _____
 SURVEYED: _____
 CHECKED: _____
 DATE: _____ BY: _____
 SURVEYED: _____
 CHECKED: _____

DATE: _____ BY: _____
 SURVEYED: _____
 CHECKED: _____
 DATE: _____ BY: _____
 SURVEYED: _____
 CHECKED: _____

PLOT DATE = 07/26/2011
 FILE NAME = 613776231_smt_47s.dgn
 SCALE = 1/8"=1'-0"
 USER NAME = JUBERDESOR

F.A.P. RTE.	SECTION	COUNTY	TOTAL SHEETS	SHEET NO.
326	15CS,13C,108,109R	KENDALL	931	721
STA. 19+400.000		TO STA. 19+420.000		
FED. ROAD DIST. NO.		ILLINOIS FED. AID PROJECT		

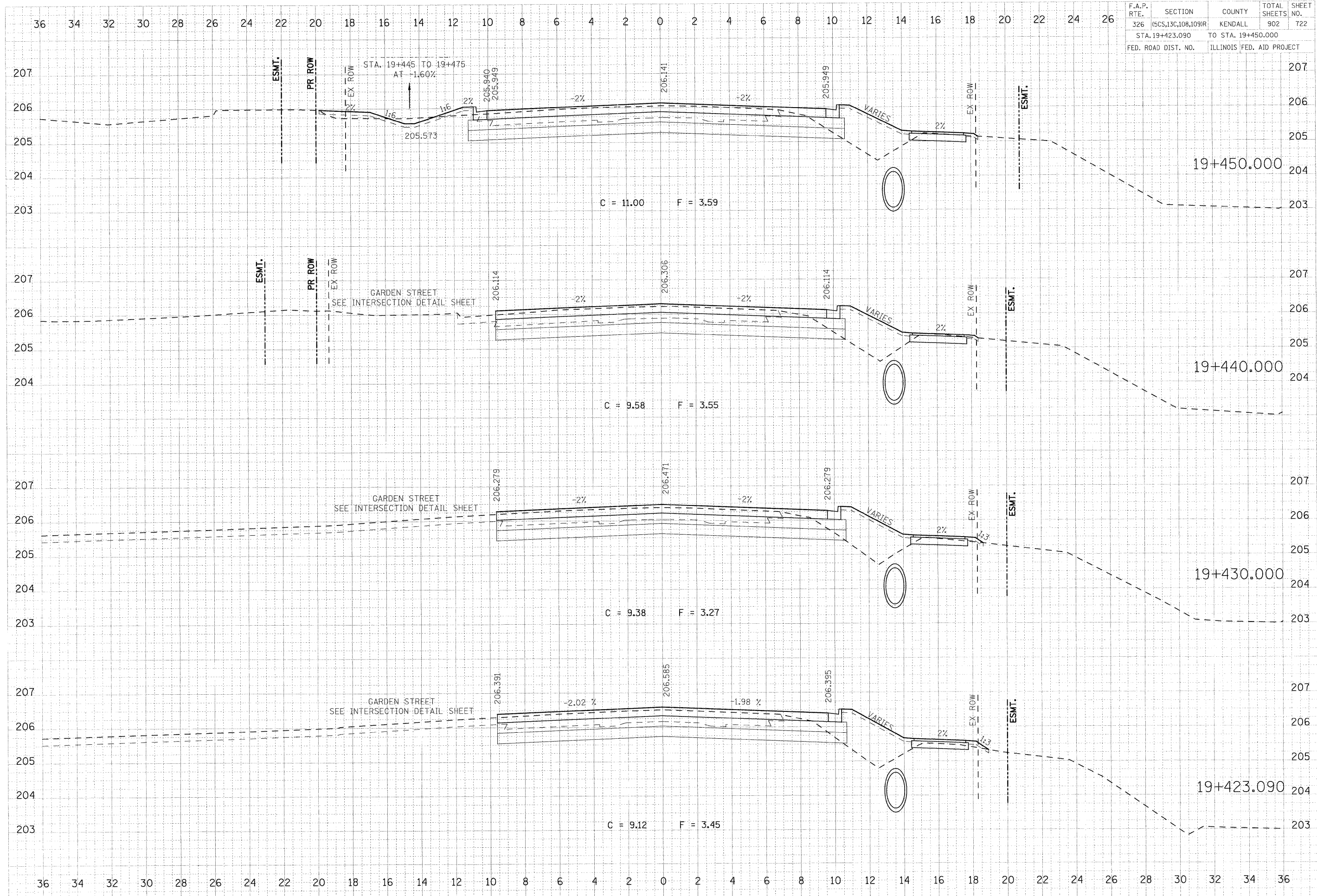


DATE	BY	SCALE

DATE	BY	SCALE

PLOT DATE = 07/26/2011
 FILE NAME = 693782X6.sht_47a.dgn
 PLOT SCALE = 1/8" = 100'
 USER NAME = JOSPHESOR

F.A.P. RTE.	SECTION	COUNTY	TOTAL SHEETS	SHEET NO.
326	(5CS,13C,108,109)R	KENDALL	902	722
STA. 19+423.090		TO STA. 19+450.000		
FED. ROAD DIST. NO.		ILLINOIS FED. AID PROJECT		

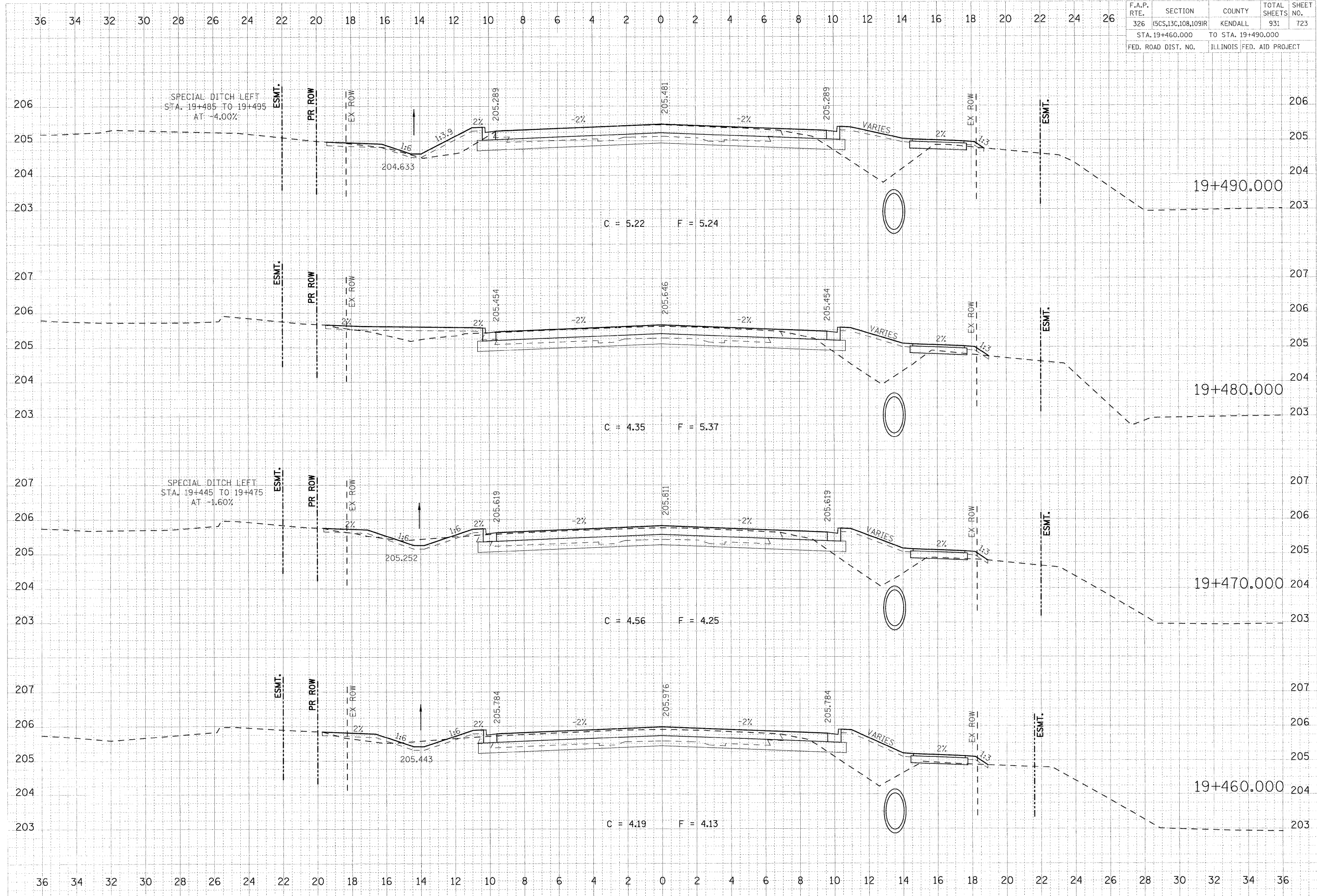


DATE	BY
DATE	BY
DATE	BY
DATE	BY

DATE	BY
DATE	BY
DATE	BY
DATE	BY

PLOT DATE = 07/26/2011
 FILE NAME = 63976265.dwg
 USER NAME = USERDESCR

F.A.P. RTE.	SECTION	COUNTY	TOTAL SHEETS	SHEET NO.
326	(5CS,13C,108,109)R	KENDALL	931	723
STA. 19+460.000		TO STA. 19+490.000		
FED. ROAD DIST. NO.		ILLINOIS FED. AID PROJECT		

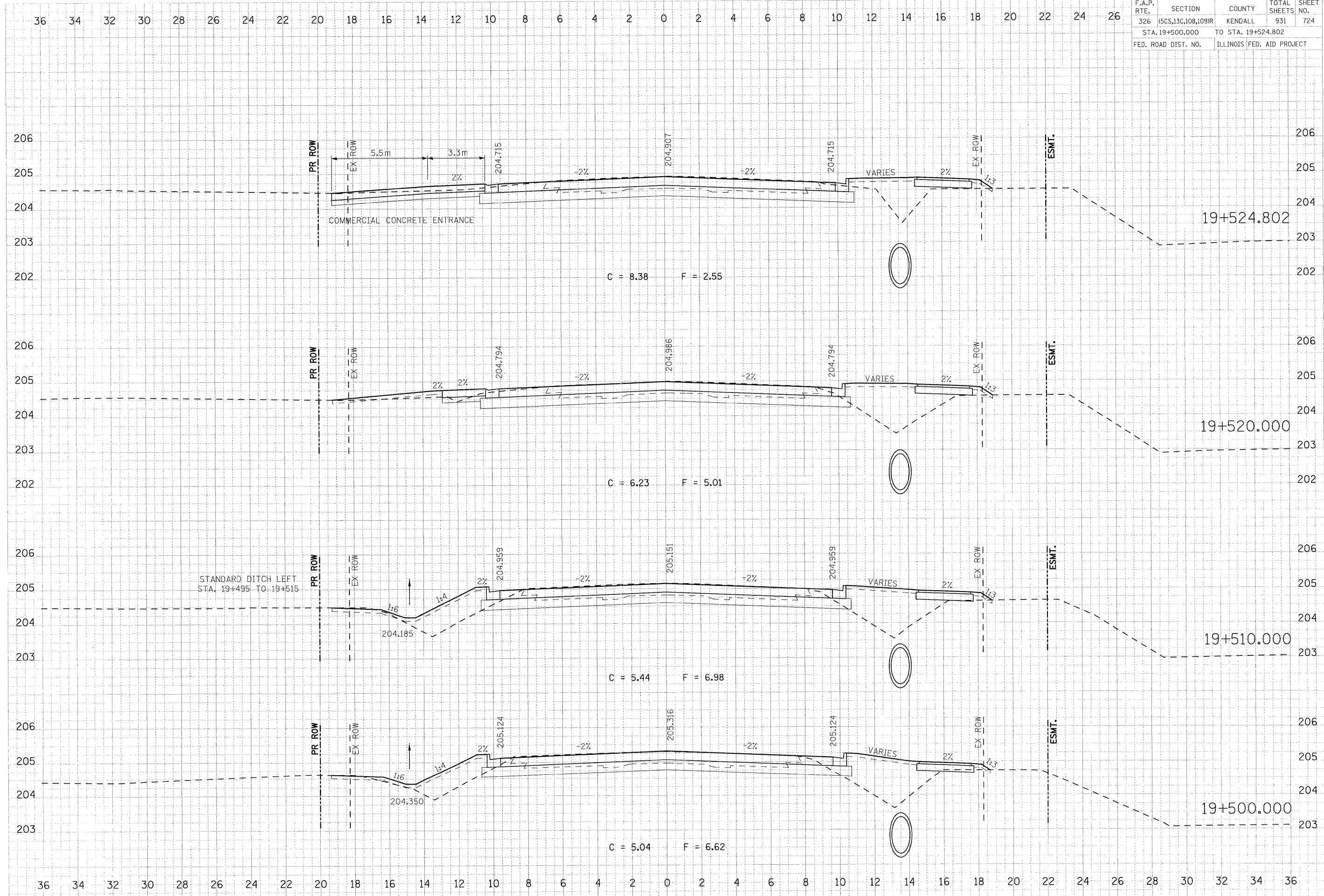


DATE: _____ BY: _____
 SURVEYED: _____
 CHECKED: _____
 PLOTTED: _____
 DATE: _____ BY: _____
 SURVEYED: _____
 CHECKED: _____
 PLOTTED: _____
 DATE: _____ BY: _____
 SURVEYED: _____
 CHECKED: _____
 PLOTTED: _____

DATE: _____ BY: _____
 SURVEYED: _____
 CHECKED: _____
 PLOTTED: _____
 DATE: _____ BY: _____
 SURVEYED: _____
 CHECKED: _____
 PLOTTED: _____

PLOT DATE = 07/26/2011
 FILE NAME = 47s.dgn
 PLOT SCALE = 0.1000 MM.
 USER NAME = JUSERDESCR

F.A.P. RTE.	SECTION	COUNTY	TOTAL SHEETS	SHEET NO.
326	(SCS,13C,108,109)R	KENDALL	931	724
STA. 19+500.000		TO STA. 19+524.802		
FED. ROAD DIST. NO.		ILLINOIS FED. AID PROJECT		

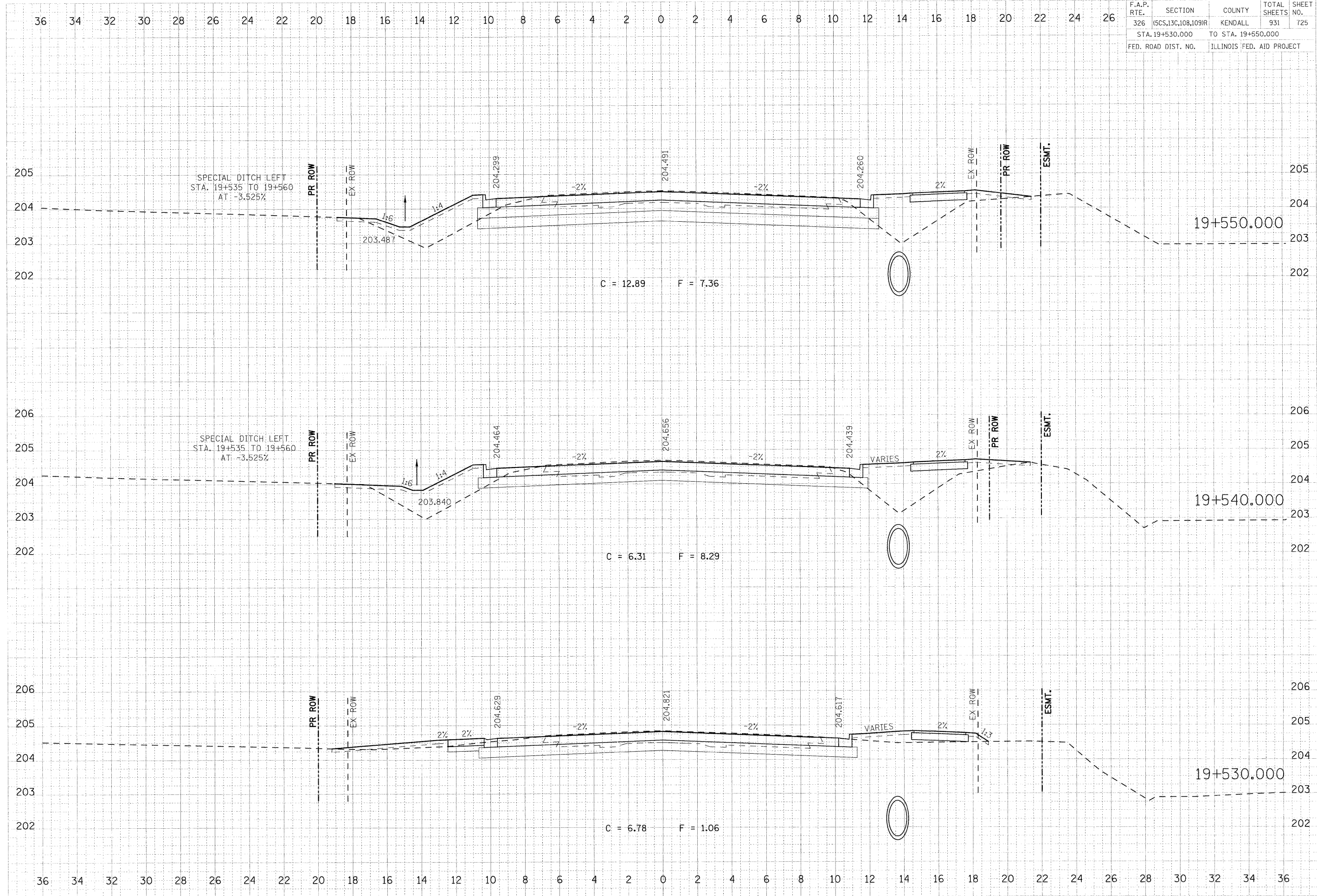


FINAL	DATE
SURVEY	
NOTE BOOK	
TEMP. DATE	
AREAS CHECKED	
AREAS UNCHECKED	

ORIGINAL	DATE
SURVEY	
NOTE BOOK	
TEMP. DATE	
AREAS CHECKED	
AREAS UNCHECKED	

PLOT DATE = 07/26/2011
 FILE NAME = 693782XS.shf-47.dgn
 USER NAME = JUSPROESCH

F.A.P. RTE.	SECTION	COUNTY	TOTAL SHEETS	SHEET NO.
326	(SCS,13C,108,109)R	KENDALL	931	725
STA. 19+530.000		TO STA. 19+550.000		
FED. ROAD DIST. NO.		ILLINOIS FED. AID PROJECT		

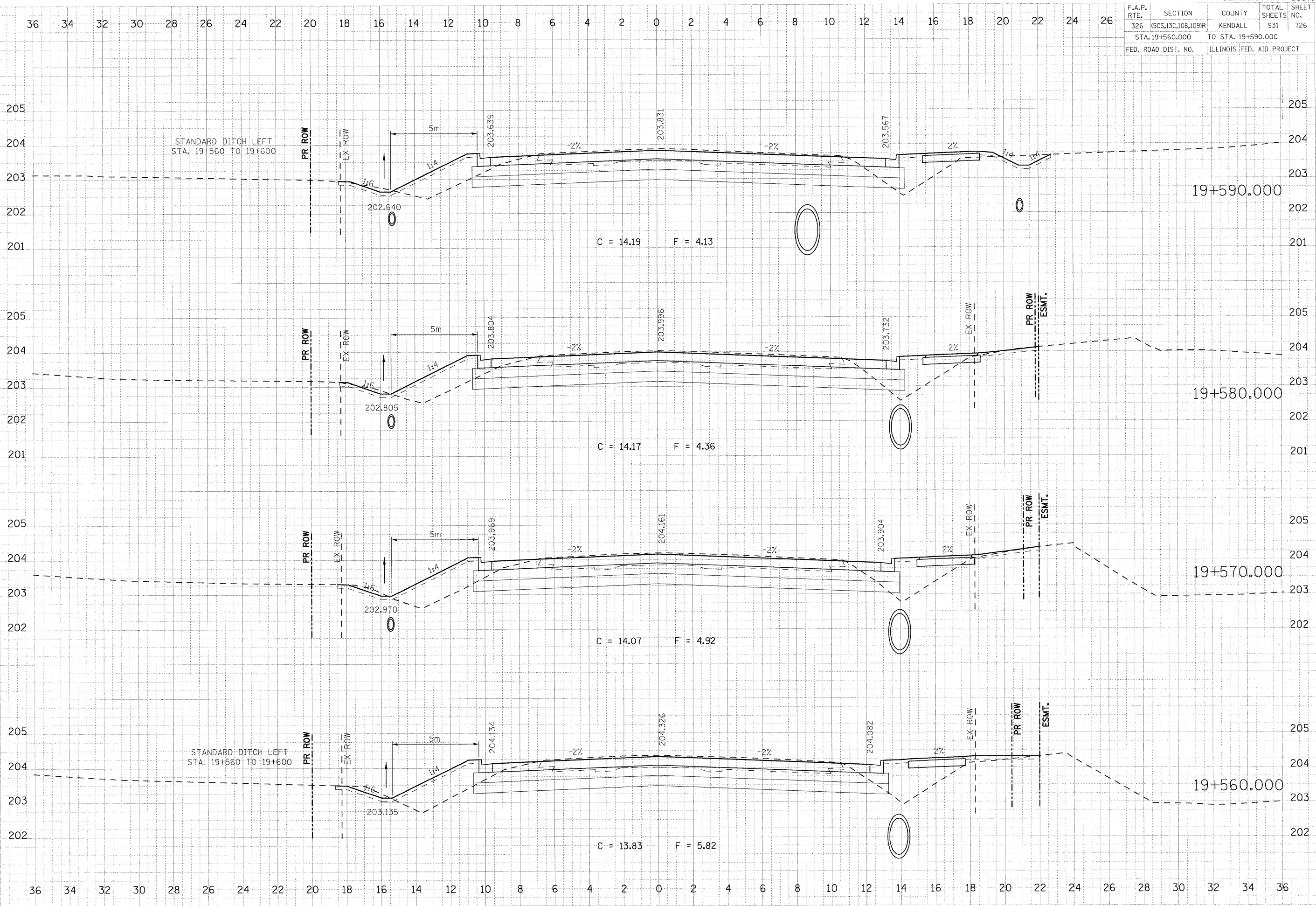


FINAL SURVEY BY DATE
 SURVEYED BY DATE
 NOTED BY DATE
 AREAS CHECKED BY DATE
 NO. OF AREAS CHECKED

ORIGINAL SURVEY BY DATE
 SURVEYED BY DATE
 NOTED BY DATE
 AREAS CHECKED BY DATE
 NO. OF AREAS CHECKED

PLOT DATE = 07/28/2011
 FILE NAME = 67826-114-47.dgn
 USER NAME = USERDESCR

F.A.P. RTE.	SECTION	COUNTY	TOTAL SHEETS	SHEET NO.
326	(SCS,13C,108,109)R	KENDALL	931	726
STA. 19+560.000		TO STA. 19+590.000		
FED. ROAD DIST. NO.		ILLINOIS FED. AID PROJECT		

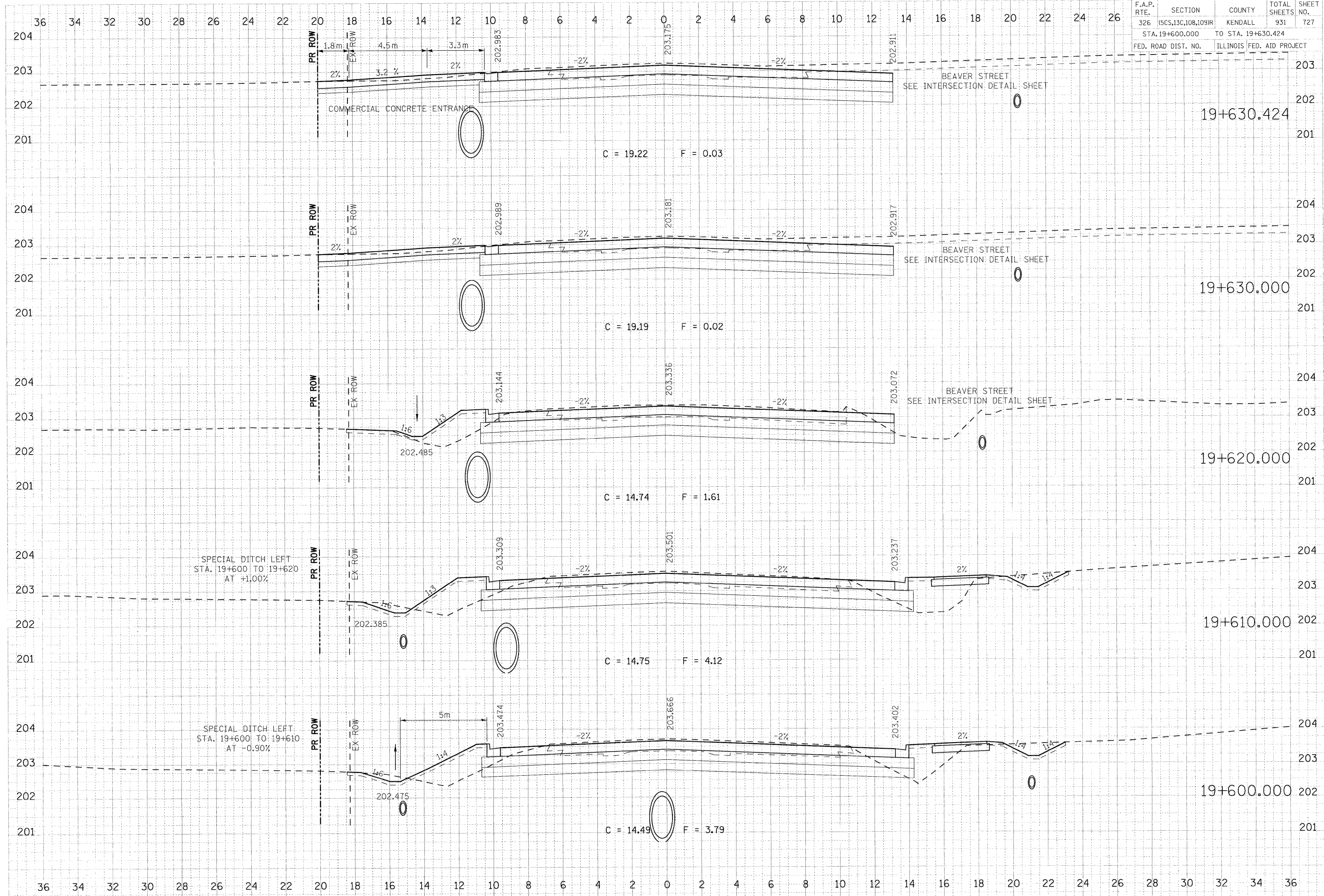


FINAL SURVEY
 SURVEYED BY
 NOTE BOOK NO.
 DATE
 AREAS CHECKED

ORIGINAL SURVEY
 SURVEYED BY
 NOTE BOOK NO.
 DATE
 AREAS CHECKED

PLOT DATE = 07/26/2011
 FILE NAME = 61978265.mxf_47a.dgn
 USER NAME = JUSERDESCR

F.A.P. RTE.	SECTION	COUNTY	TOTAL SHEETS	SHEET NO.
326	(SCS,13C,108,109)R	KENDALL	931	727
STA. 19+600.000		TO STA. 19+630.424		
FED. ROAD DIST. NO.		ILLINOIS FED. AID PROJECT		



FINAL SURVEY DATE
 SURVEY PLANNED DATE
 NOTE BOOK TEMPLATE AREAS CHECKED
 NO. _____

ORIGINAL SURVEY DATE
 SURVEY PLANNED DATE
 NOTE BOOK TEMPLATE AREAS CHECKED
 NO. _____

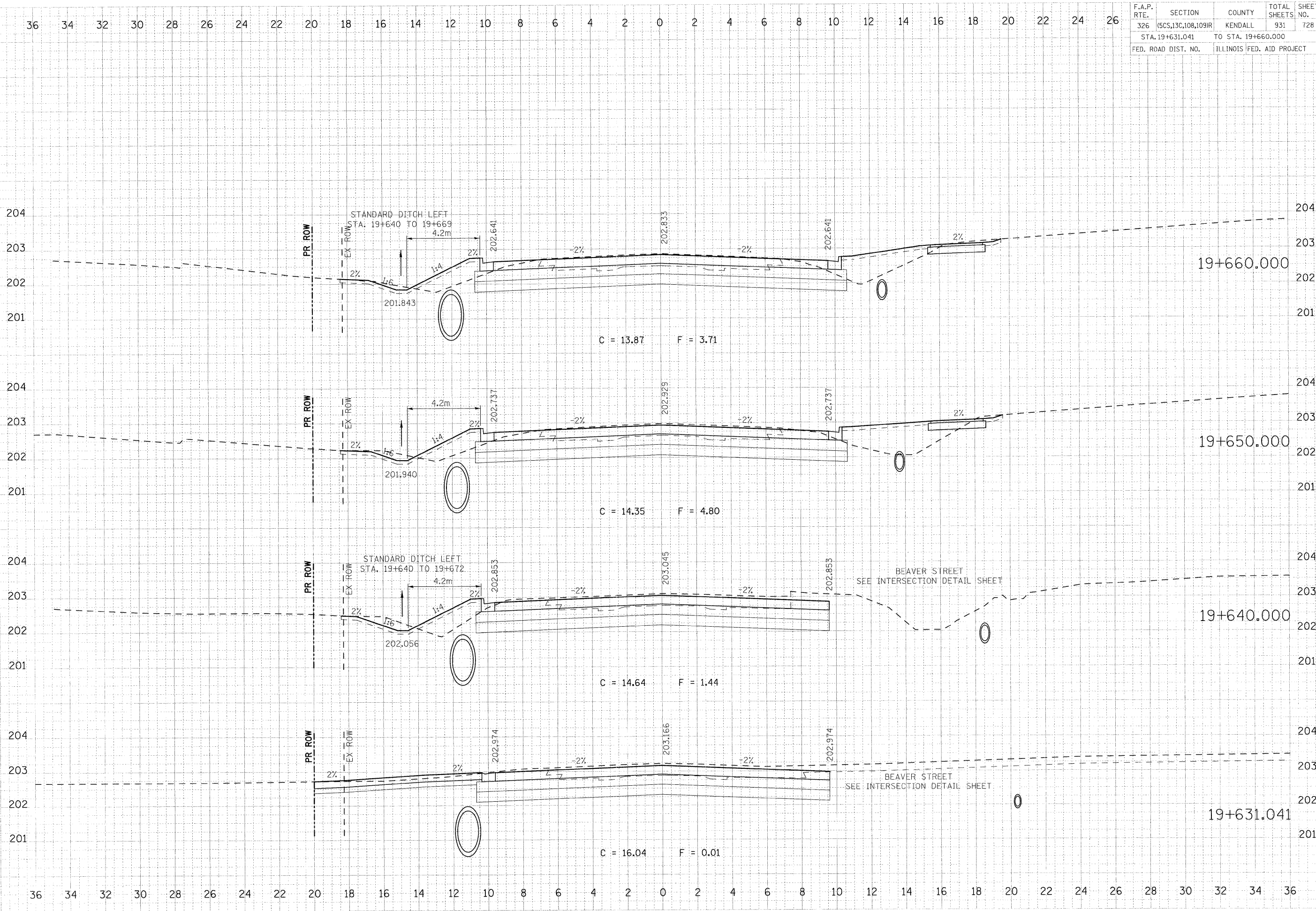
PLOT DATE = 07/26/2011
 FILE NAME = 613762X3_svt_47s.dgn
 SCALE = MILLIMETERS
 USER NAME = JBERNARD

F.A.P. RTE.	SECTION	COUNTY	TOTAL SHEETS	SHEET NO.
326	(SCS,13C,108,109)R	KENDALL	931	728
STA. 19+631.041		TO STA. 19+660.000		
FED. ROAD DIST. NO.		ILLINOIS FED. AID PROJECT		

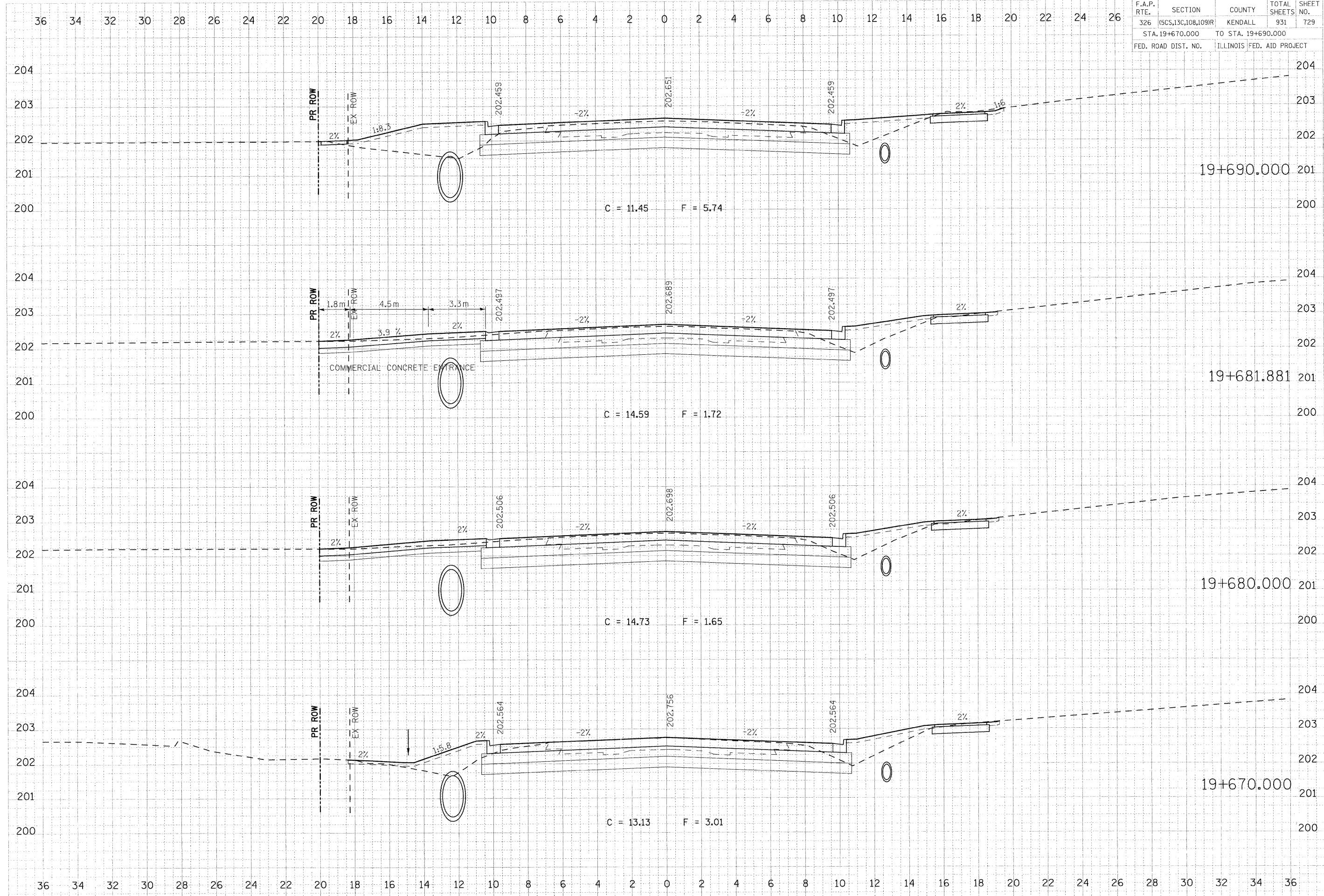
DATE	BY	REVISION

DATE	BY	REVISION

PLOT DATE = 07/26/2011
 FILE NAME = 633782XS.enr-47.dgn
 USER NAME = JUSBRUESCHL



F.A.P. RTE.	SECTION	COUNTY	TOTAL SHEETS	SHEET NO.
326	(SCS,13C,108,109)R	KENDALL	931	729
STA. 19+670.000		TO STA. 19+690.000		
FED. ROAD DIST. NO.		ILLINOIS FED. AID PROJECT		

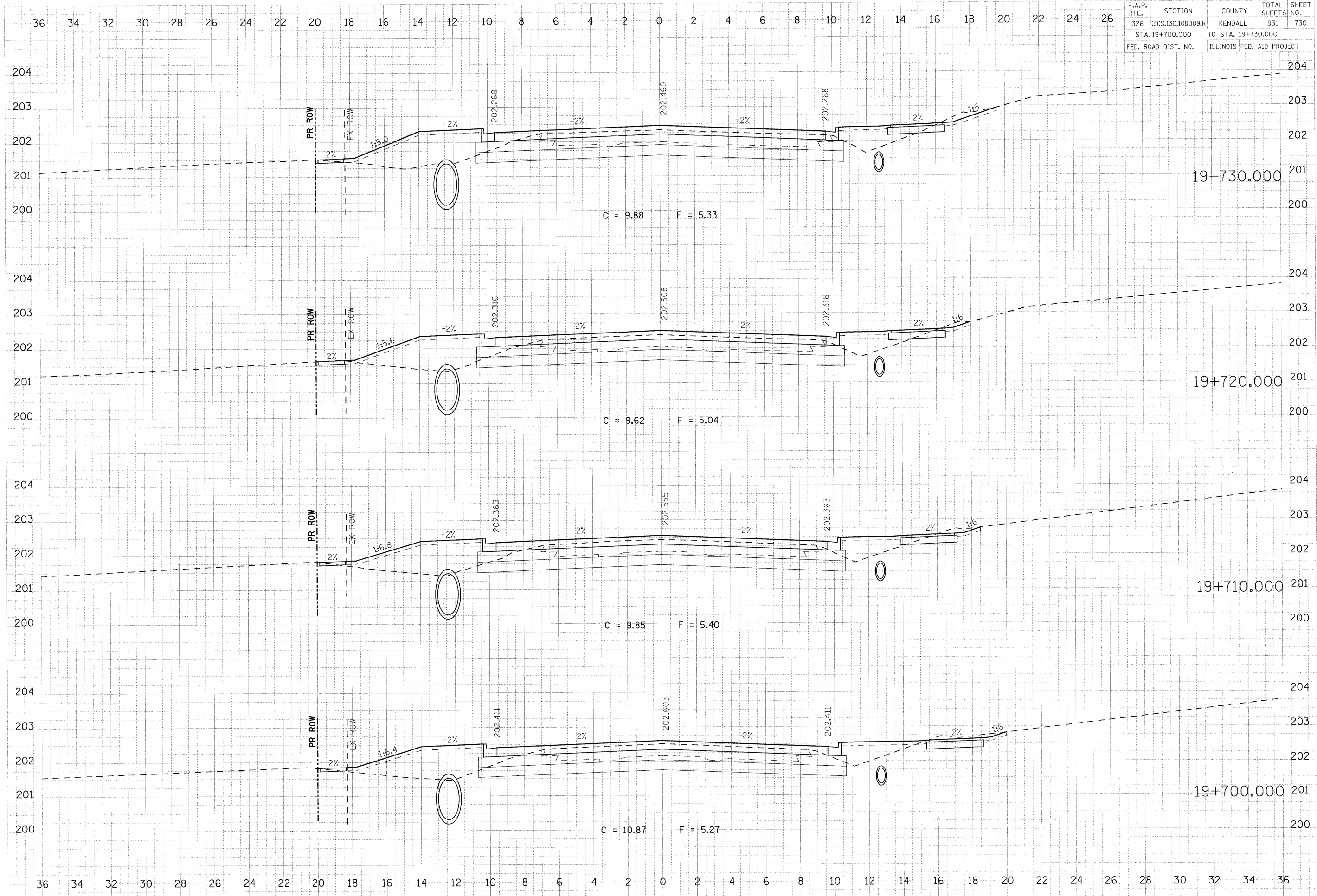


FINAL SURVEY DATE BY
 SURVEYED DATE BY
 CHECKED DATE BY
 NO. OF SHEETS

ORIGINAL SURVEY DATE BY
 SURVEYED DATE BY
 CHECKED DATE BY
 NO. OF SHEETS

PLOT DATE = 07/26/2011
 FILE NAME = 670762X6.MXD
 USER NAME = JUSERESOR

F.A.P. RTE.	SECTION	COUNTY	TOTAL SHEETS	SHEET NO.
326	(6S,13C,108,109R)	KENDALL	931	730
STA. 19+700.000		TO STA. 19+730.000		
FED. ROAD DIST. NO.		ILLINOIS FED. AID PROJECT		

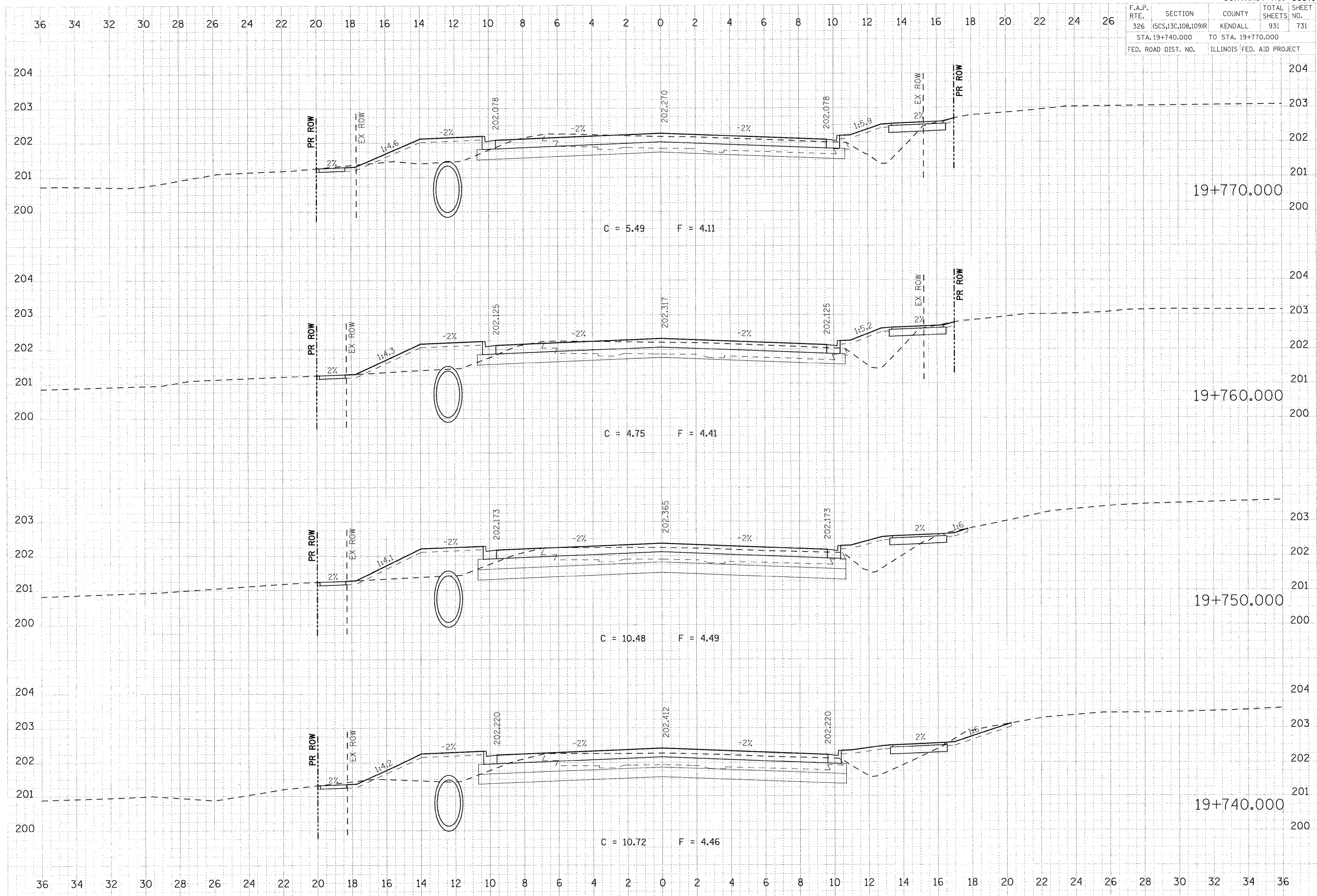


FINAL SURVEY TICKET BOOK NO. DATE

ORIGINAL SURVEY TICKET BOOK NO. DATE

PLOT DATE = 07/26/2011
 PLOT SCALE = 8.0000 MM.
 USER NAME = USERDESCR

F.A.P. RTE.	SECTION	COUNTY	TOTAL SHEETS	SHEET NO.
326	(SCS,13C,108,109)R	KENDALL	931	731
STA. 19+740.000		TO STA. 19+770.000		
FED. ROAD DIST. NO.		ILLINOIS FED. AID PROJECT		

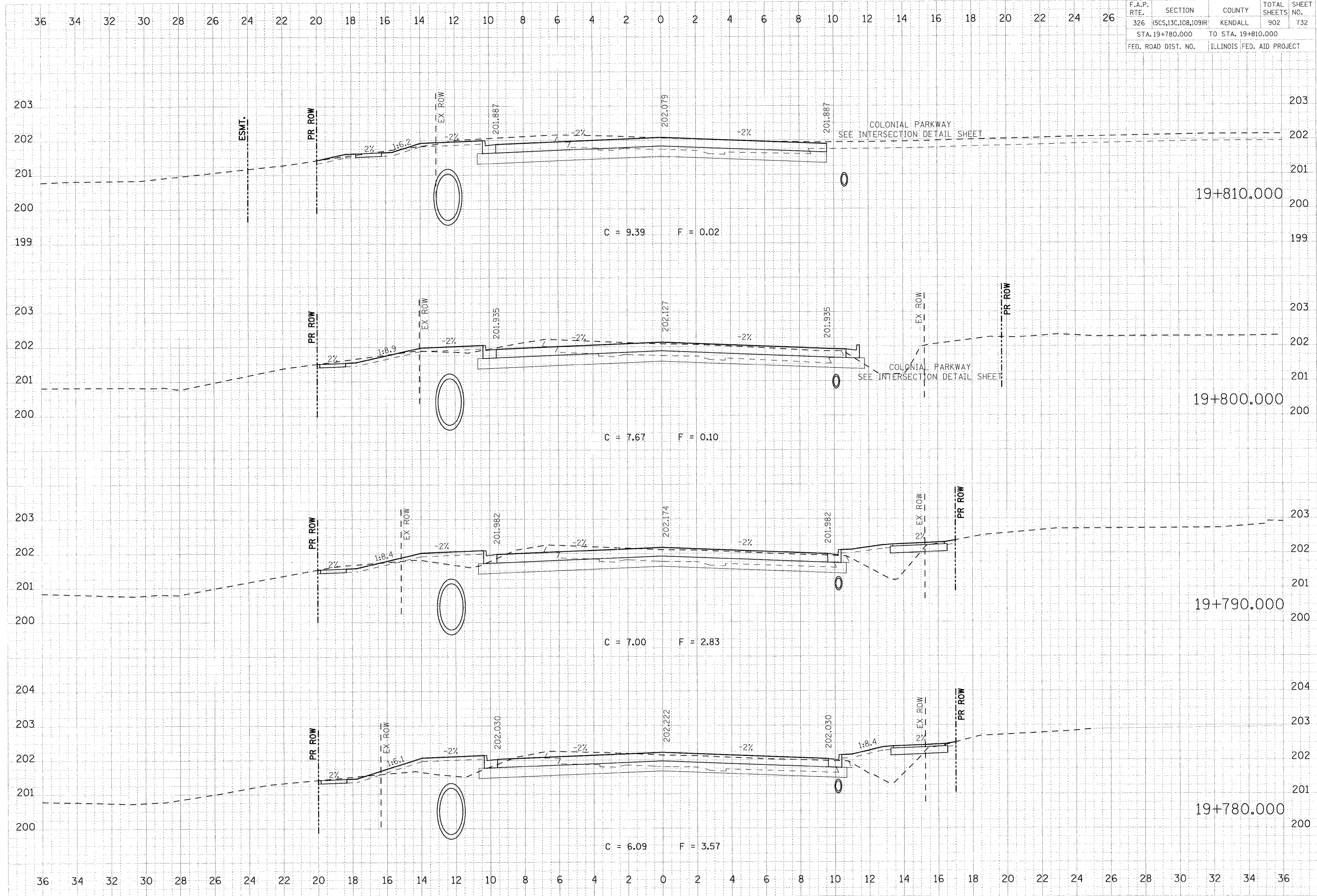


DATE: 07/26/2011
 PLOT DATE: 07/26/2011
 PLOT SCALE: 0.1000
 USER NAME: USERDESCR

DATE: 07/26/2011
 PLOT DATE: 07/26/2011
 PLOT SCALE: 0.1000
 USER NAME: USERDESCR

PLOT DATE = 07/26/2011
 PLOT SCALE = 0.1000
 USER NAME = USERDESCR

F.A.P. RTE.	SECTION	COUNTY	TOTAL SHEETS	SHEET NO.
326	(5CS,13C,108,109R)	KENDALL	902	732
STA. 19+780.000		TO STA. 19+810.000		
FED. ROAD DIST. NO.		ILLINOIS FED. AID PROJECT		

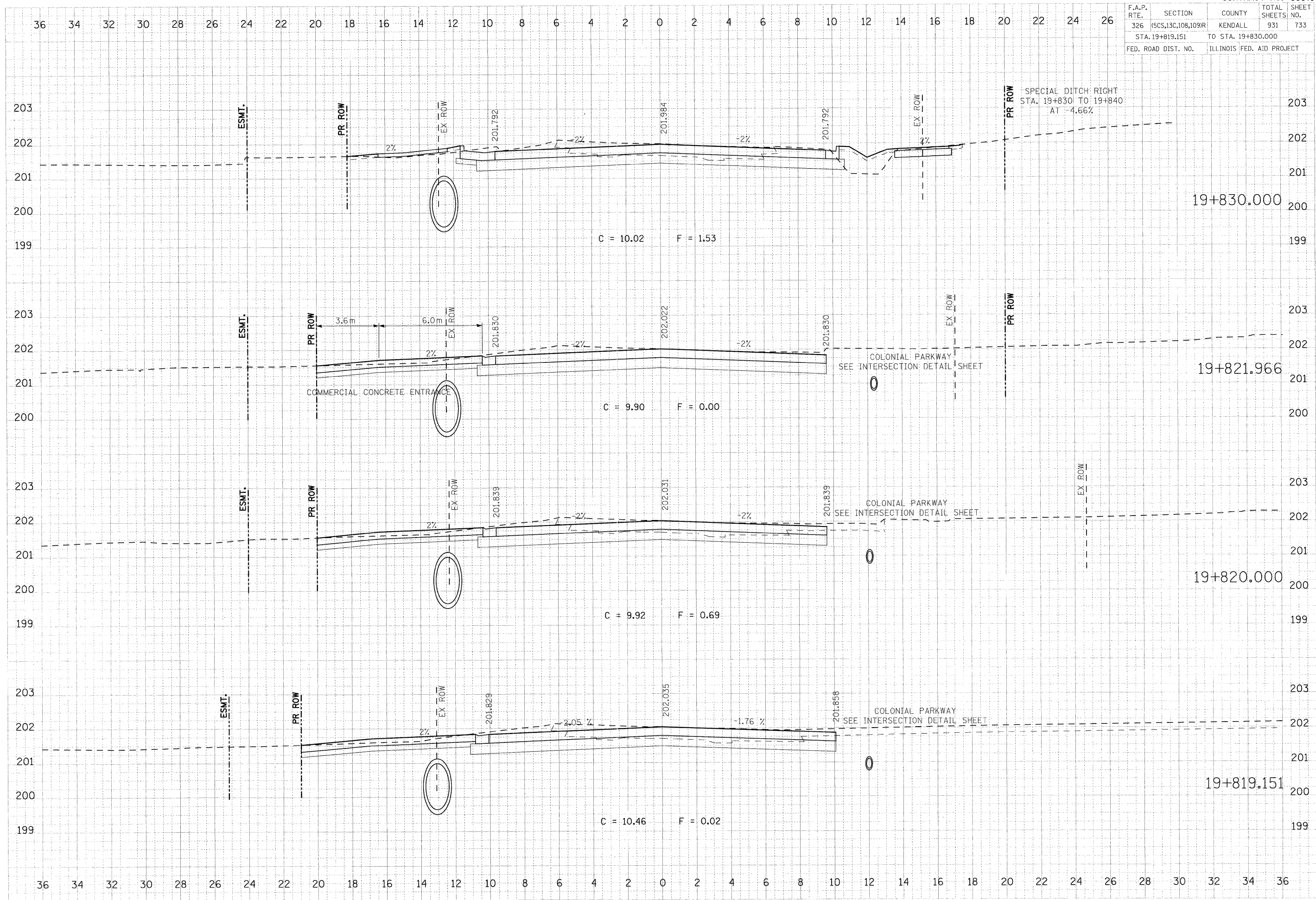


FINAL SURVEY PLATE NOTE BOOK AREAS CHECKED

ORIGINAL SURVEY PLATE NOTE BOOK AREAS CHECKED

PLOT DATE = 07/26/2011
 DRAWN BY = 510782X6.SMT_47s.dgn
 FILE NAME = 510782X6.SMT_47s.dgn
 USER NAME = USERDESCR

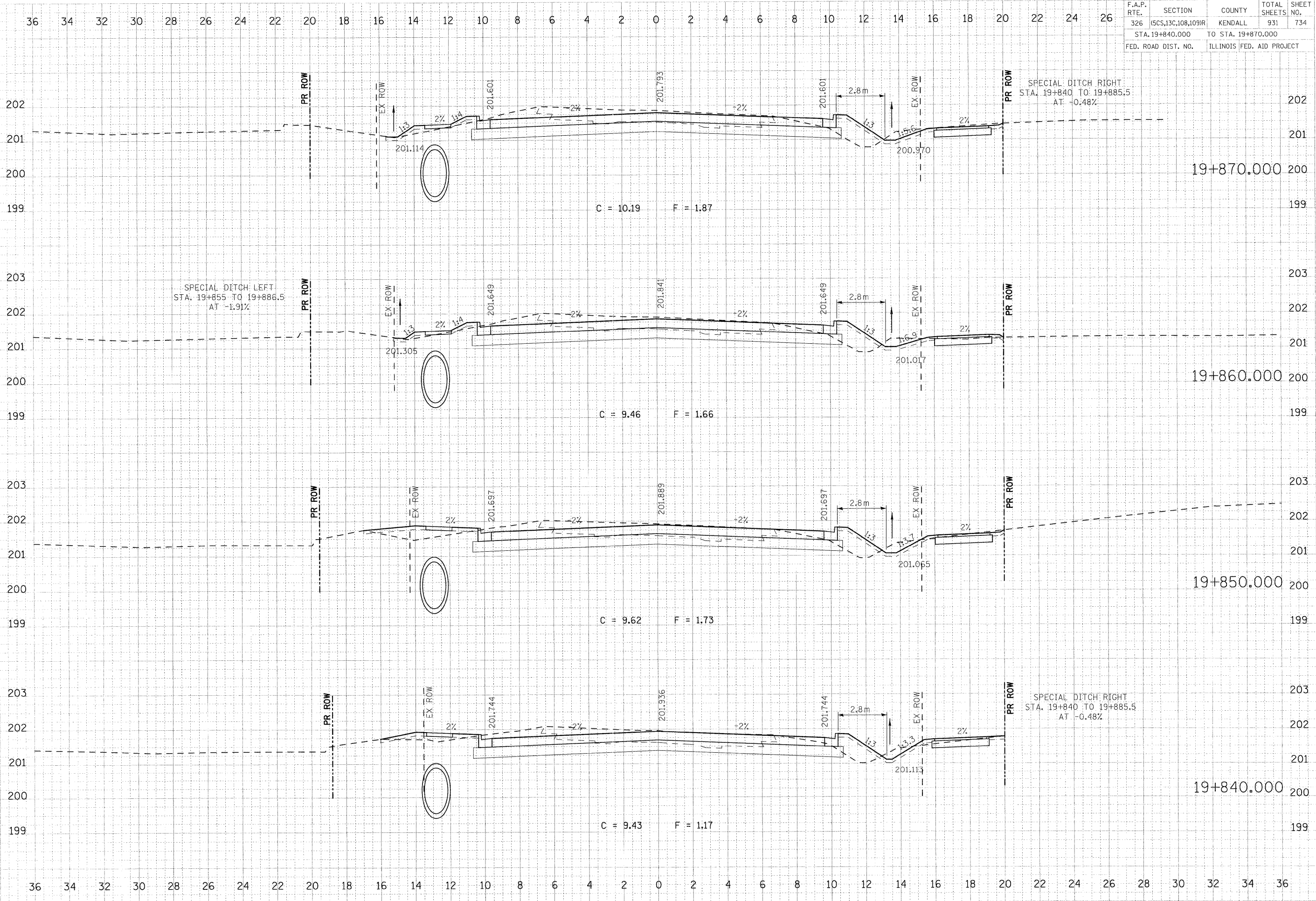
F.A.P. RTE.	SECTION	COUNTY	TOTAL SHEETS	SHEET NO.
326	(5CS,13C,108,109)R	KENDALL	931	733
STA. 19+819.151		TO STA. 19+830.000		
FED. ROAD DIST. NO.		ILLINOIS FED. AID PROJECT		



DATE: _____
 BY: _____
 ORIGINAL SURVEY: _____
 SURVEYED: _____
 REVISIONS: _____
 NOTE BOOK: _____
 AREAS CHECKED: _____
 USER NAME: _____

DATE: 07/28/2011
 TIME: 6:07:26 AM
 FILE NAME: 19819.151.dgn
 USER NAME: USERDESCR

F.A.P. RTE.	SECTION	COUNTY	TOTAL SHEETS	SHEET NO.
326	(5CS,13C,108,109)R	KENDALL	931	734
STA. 19+840.000		TO STA. 19+870.000		
FED. ROAD DIST. NO.		ILLINOIS FED. AID PROJECT		



SPECIAL DITCH RIGHT
STA. 19+840 TO 19+885.5
AT -0.48%

SPECIAL DITCH LEFT
STA. 19+855 TO 19+886.5
AT -1.91%

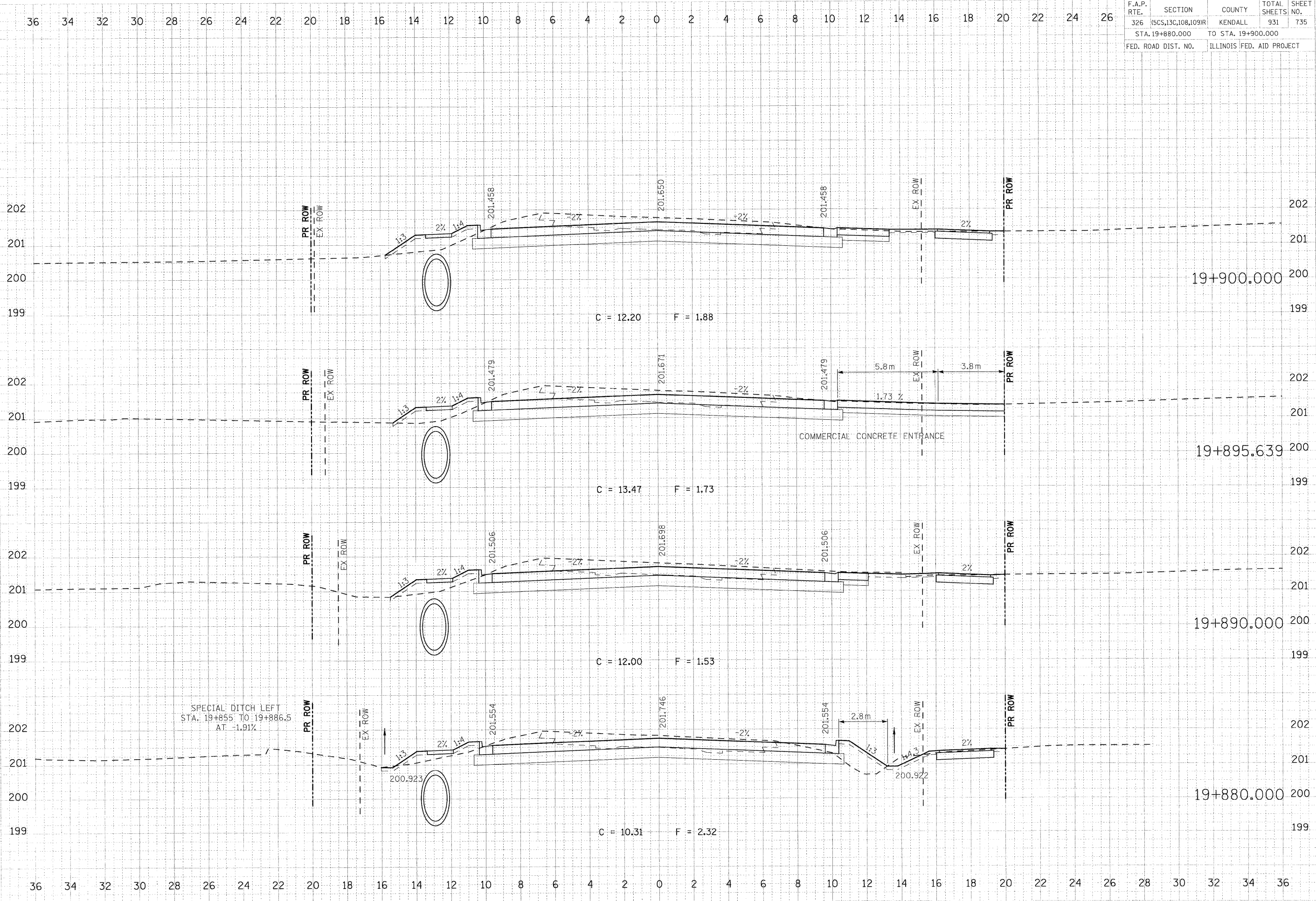
SPECIAL DITCH RIGHT
STA. 19+840 TO 19+885.5
AT -0.48%

FINAL	DATE
SURVEY	BY
NOTE BOOK	NO.
AREAS	CHECKED

ORIGINAL	DATE
SURVEY	BY
NOTE BOOK	NO.
AREAS	CHECKED

PLOT DATE = 07/26/2011
FILE NAME = 67626-111-473.dgn
PLOT SCALE = 1"=40'
USER NAME = JUSERDESCR

F.A.P. RTE.	SECTION	COUNTY	TOTAL SHEETS	SHEET NO.
326	(SCS,13C,108,109)R	KENDALL	931	735
STA. 19+880.000		TO STA. 19+900.000		
FED. ROAD DIST. NO.		ILLINOIS FED. AID PROJECT		

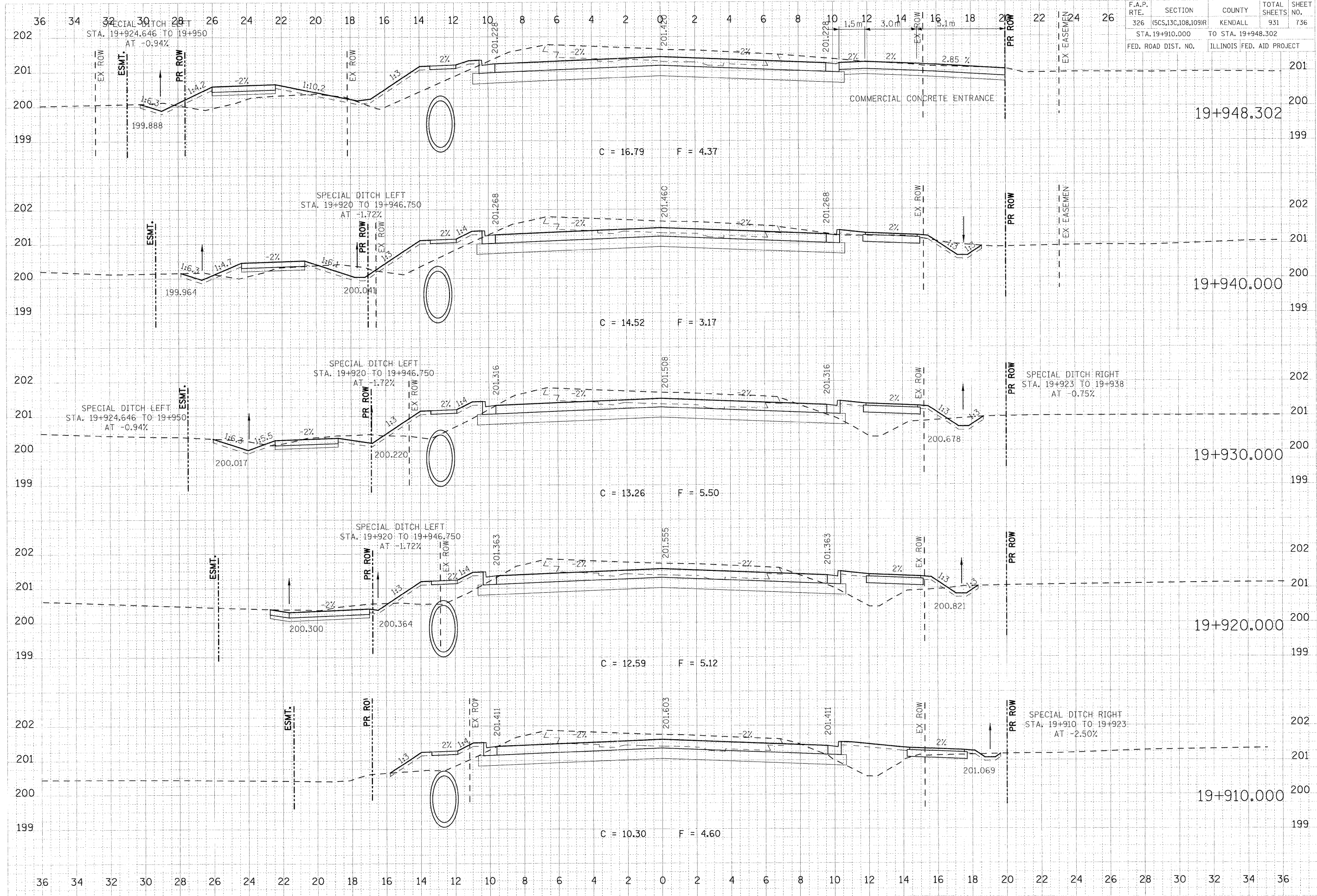


DATE: _____ BY: _____
 CHECKED: _____
 SURVEYED: _____
 DRAWN: _____
 TITLE: _____
 AREA: _____
 SHEET: _____

DATE: _____ BY: _____
 CHECKED: _____
 SURVEYED: _____
 DRAWN: _____
 TITLE: _____
 AREA: _____
 SHEET: _____

PLOT DATE = 07/26/2011
 FILE NAME = 593782X6.sht_47a.dgn
 SCALE = 1:1000
 USER NAME = JUSERESOR

F.A.P. RTE.	SECTION	COUNTY	TOTAL SHEETS	SHEET NO.
326	(SCS,13C,108,109)R	KENDALL	931	736
STA. 19+910.000		TO STA. 19+948.302		
FED. ROAD DIST. NO.		ILLINOIS FED. AID PROJECT		

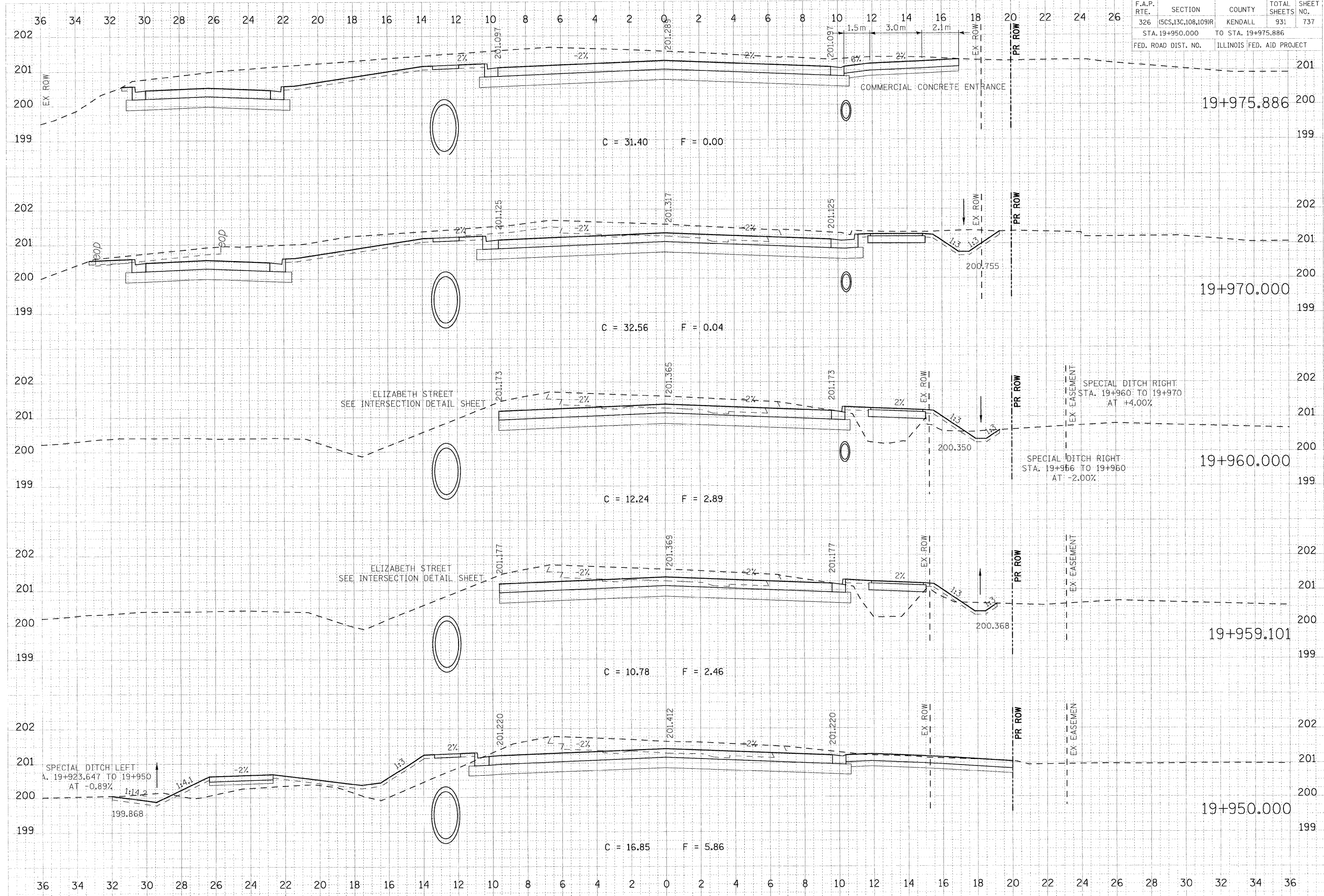


BY	DATE

BY	DATE

PLOT DATE = 07/26/2001
 PLOT SCALE = 0.1000
 USER NAME = JUSERDESCR

F.A.P. RTE.	SECTION	COUNTY	TOTAL SHEETS	SHEET NO.
326	(SCS,13C,108,109)R	KENDALL	931	737
STA. 19+950.000		TO STA. 19+975.886		
FED. ROAD DIST. NO.		ILLINOIS FED. AID PROJECT		

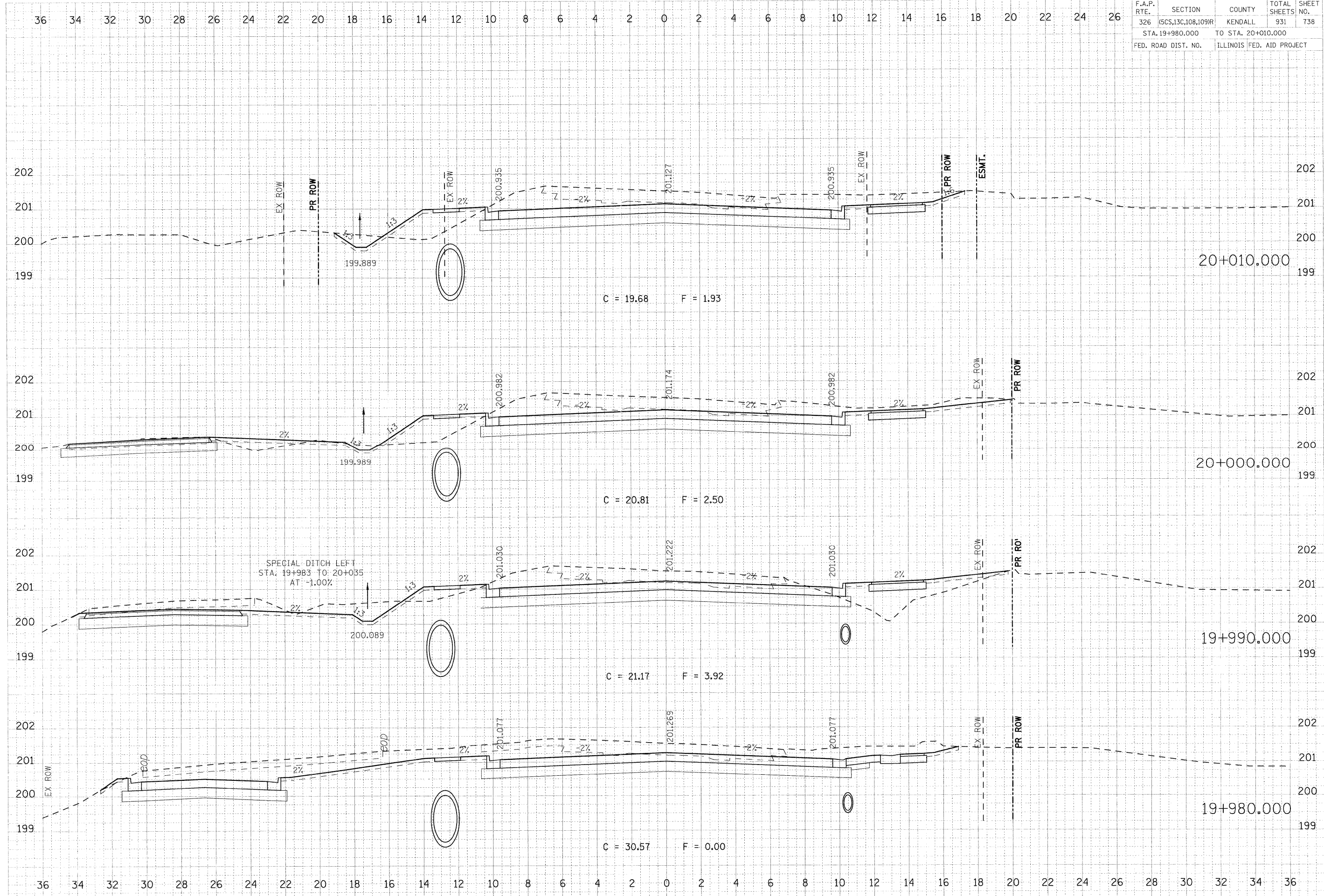


DATE	BY
07/25/2001	JUSERESCH
FILE NAME	0100000000.dwg
FILE SIZE	1000000000 bytes
USER NAME	JUSERESCH

DATE	BY
07/25/2001	JUSERESCH
FILE NAME	0100000000.dwg
FILE SIZE	1000000000 bytes
USER NAME	JUSERESCH

PLOT DATE = 07/25/2001
 FILE NAME = 0100000000.dwg
 FILE SIZE = 1000000000 bytes
 USER NAME = JUSERESCH

F.A.P. RTE.	SECTION	COUNTY	TOTAL SHEETS	SHEET NO.
326	(SCS,13C,108,109)R	KENDALL	931	738
STA. 19+980.000 TO STA. 20+010.000				
FED. ROAD DIST. NO.			ILLINOIS FED. AID PROJECT	

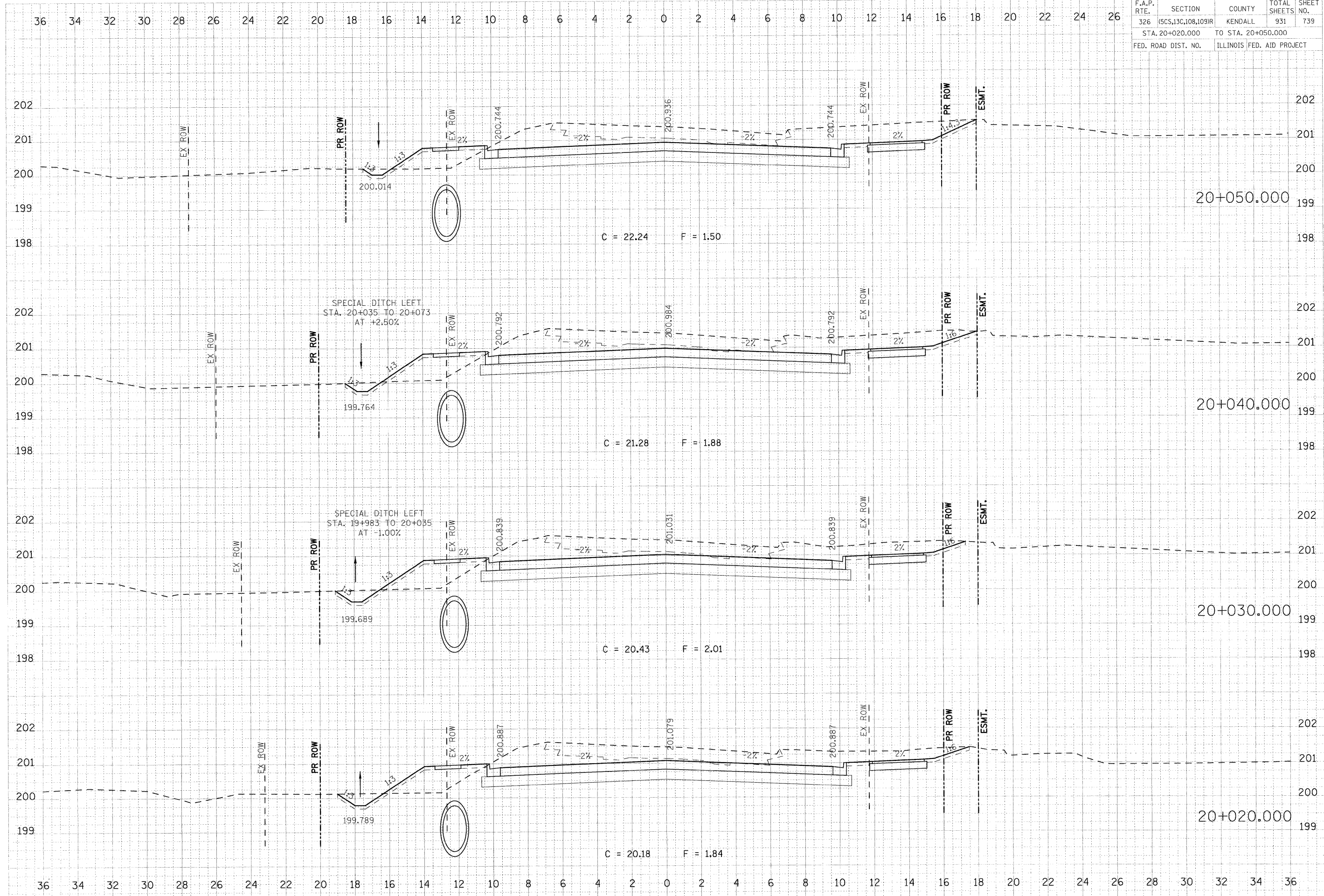


DATE	BY
DATE	BY
DATE	BY
DATE	BY
DATE	BY

DATE	BY
DATE	BY
DATE	BY
DATE	BY
DATE	BY

PLOT DATE = 07/26/2011
 FILE NAME = 63962KNS.dwg
 USER NAME = USERDESCR

F.A.P. RTE.	SECTION	COUNTY	TOTAL SHEETS	SHEET NO.
326	(SCS,13C,108,109)R	KENDALL	931	739
STA. 20+020.000		TO STA. 20+050.000		
FED. ROAD DIST. NO.		ILLINOIS FED. AID PROJECT		

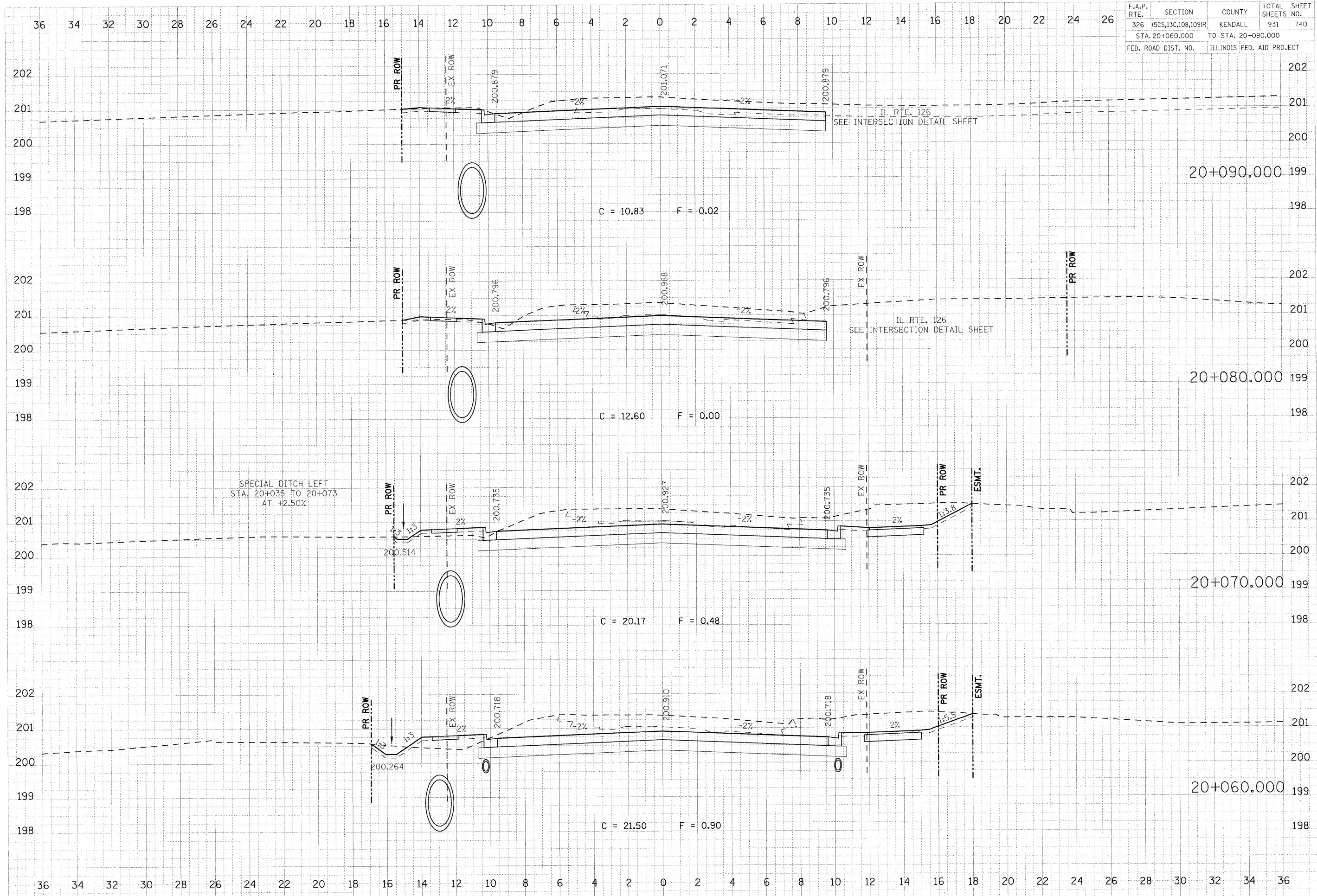


FINAL SURVEY PLANNED DATE: _____
 NOTE BOOK: _____
 NO. _____

ORIGINAL SURVEY DATE: _____
 NOTE BOOK: _____
 NO. _____

PLOT DATE = 07/26/2011
 FILE NAME = 603782X6.dwg
 USER NAME = JUSERESOR

F.A.P. RTE.	SECTION	COUNTY	TOTAL SHEETS	SHEET NO.
326	(5CS,13C,108,109)R	KENDALL	931	740
STA. 20+060.000		TO STA. 20+090.000		
FED. ROAD DIST. NO.		ILLINOIS FED. AID PROJECT		

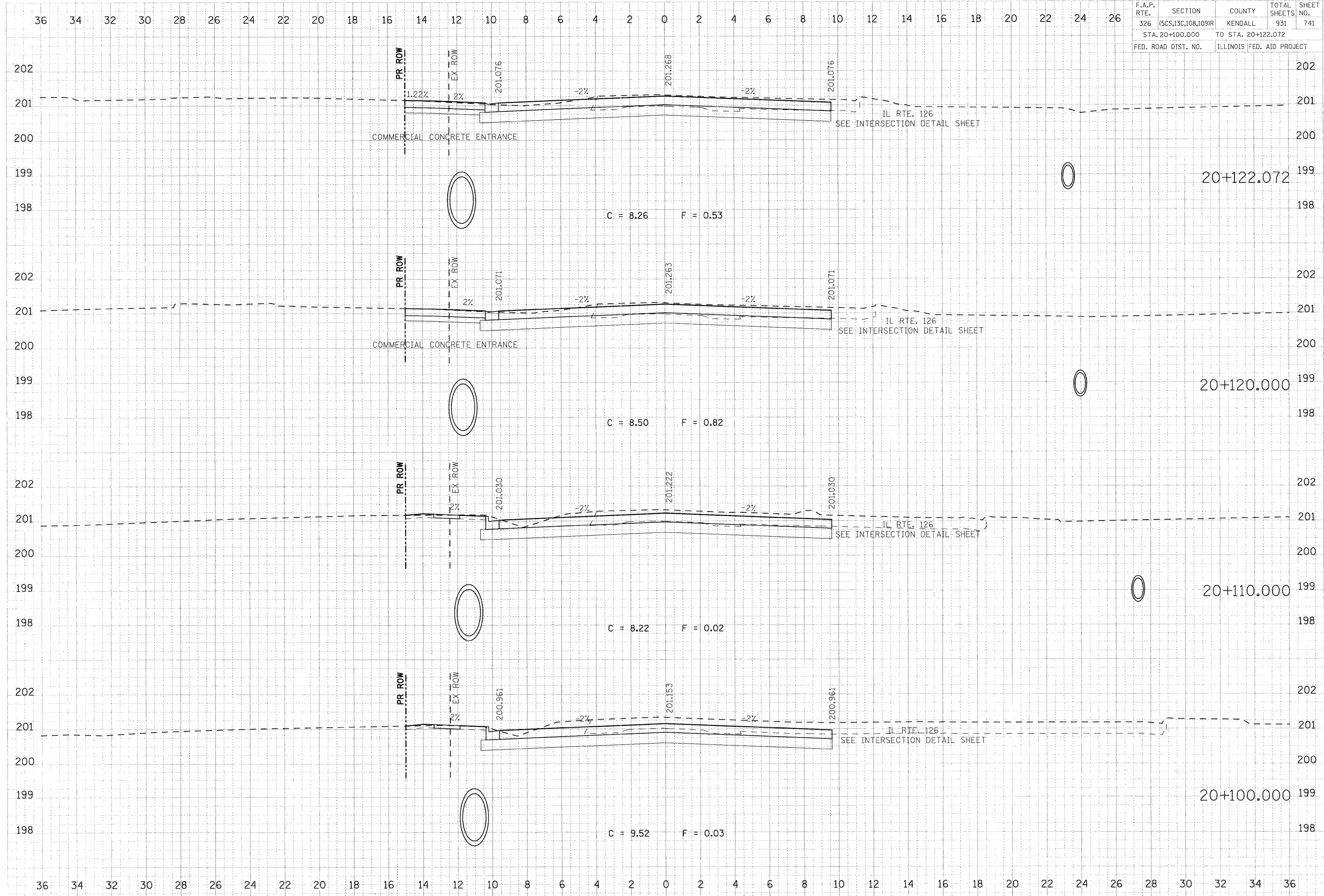


FINAL SURVEYED ROUTE BOOK MAPS
 SURVEYED ROUTE BOOK MAPS
 DATE

ORIGINAL SURVEYED ROUTE BOOK MAPS
 SURVEYED ROUTE BOOK MAPS
 DATE

PLOT DATE = 07/26/2011
 FILE NAME = 61097826.mxf.47a.dgn
 USER NAME = USERDESCR

F.A.P. RTE.	SECTION	COUNTY	TOTAL SHEETS	SHEET NO.
326	(5CS,13C,108,109)R	KENDALL	931	741
STA. 20+100.000 TO STA. 20+122.072				
FED. ROAD DIST. NO.		ILLINOIS FED. AID PROJECT		

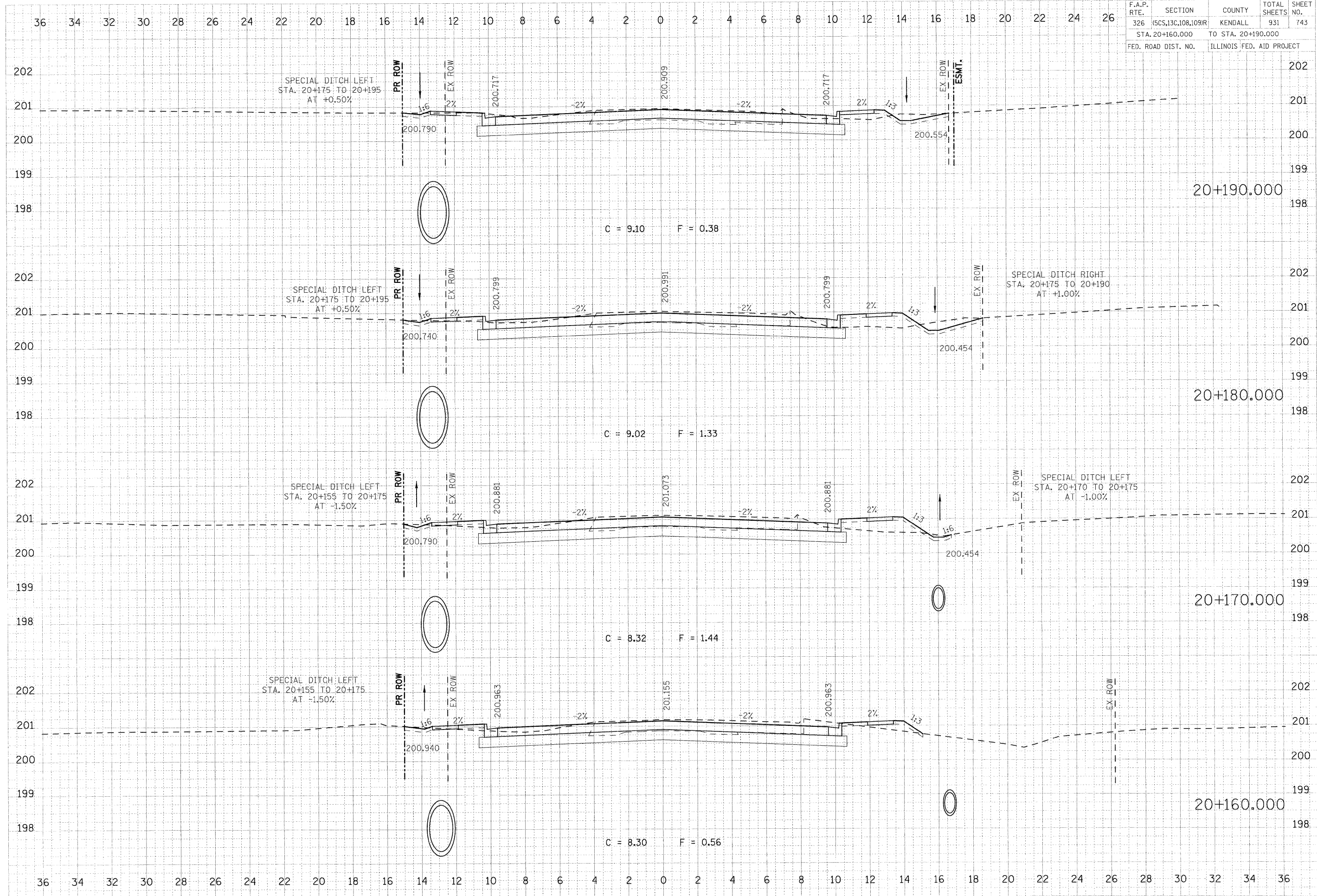


FINAL SURVEY DATE
 SURVEYED BY
 CHECKED BY
 DATE

ORIGINAL SURVEY DATE
 SURVEYED BY
 CHECKED BY
 DATE

PLOT DATE = 07/26/2011
 FILE NAME = 66671-326-111-47a.dgn
 PLOT SCALE = 0.1000 MM
 USER NAME = JUSERDESCR

F.A.P. RTE.	SECTION	COUNTY	TOTAL SHEETS	SHEET NO.
326	(5CS,13C,108,109)R	KENDALL	931	743
STA. 20+160.000		TO STA. 20+190.000		
FED. ROAD DIST. NO.		ILLINOIS FED. AID PROJECT		

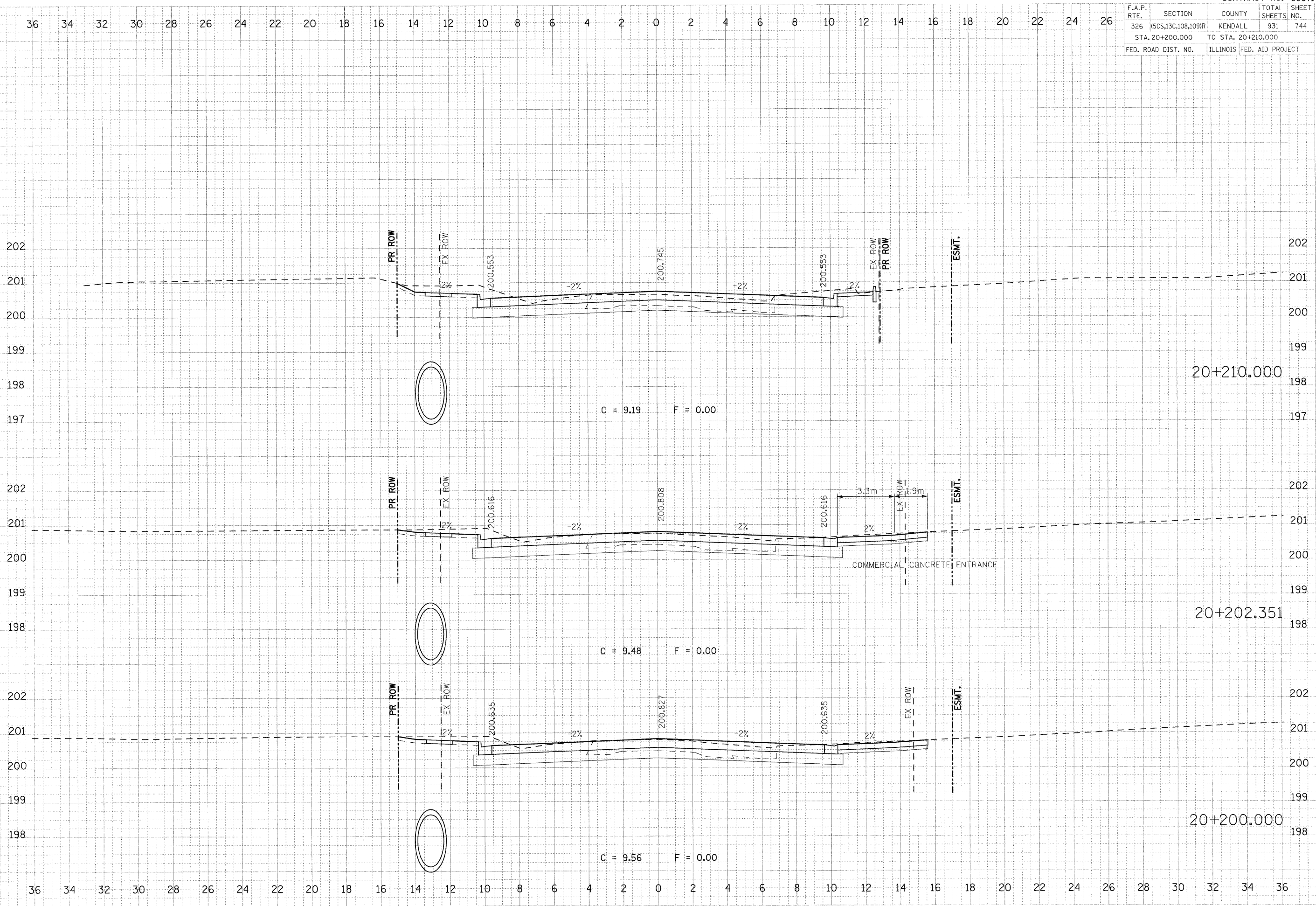


FINAL SURVEY
 DATE: 07/25/2011
 FILE NAME: 613792315_sht_47.dgn
 USER NAME: JBERNARD

ORIGINAL SURVEY
 DATE: 07/25/2011
 FILE NAME: 613792315_sht_47.dgn
 USER NAME: JBERNARD

PLOT DATE = 07/25/2011
 FILE NAME = 613792315_sht_47.dgn
 USER NAME = JBERNARD

F.A.P. RTE.	SECTION	COUNTY	TOTAL SHEETS	SHEET NO.
326	(SCS,13C,108,109)R	KENDALL	931	744
STA. 20+200.000		TO STA. 20+210.000		
FED. ROAD DIST. NO.		ILLINOIS FED. AID PROJECT		

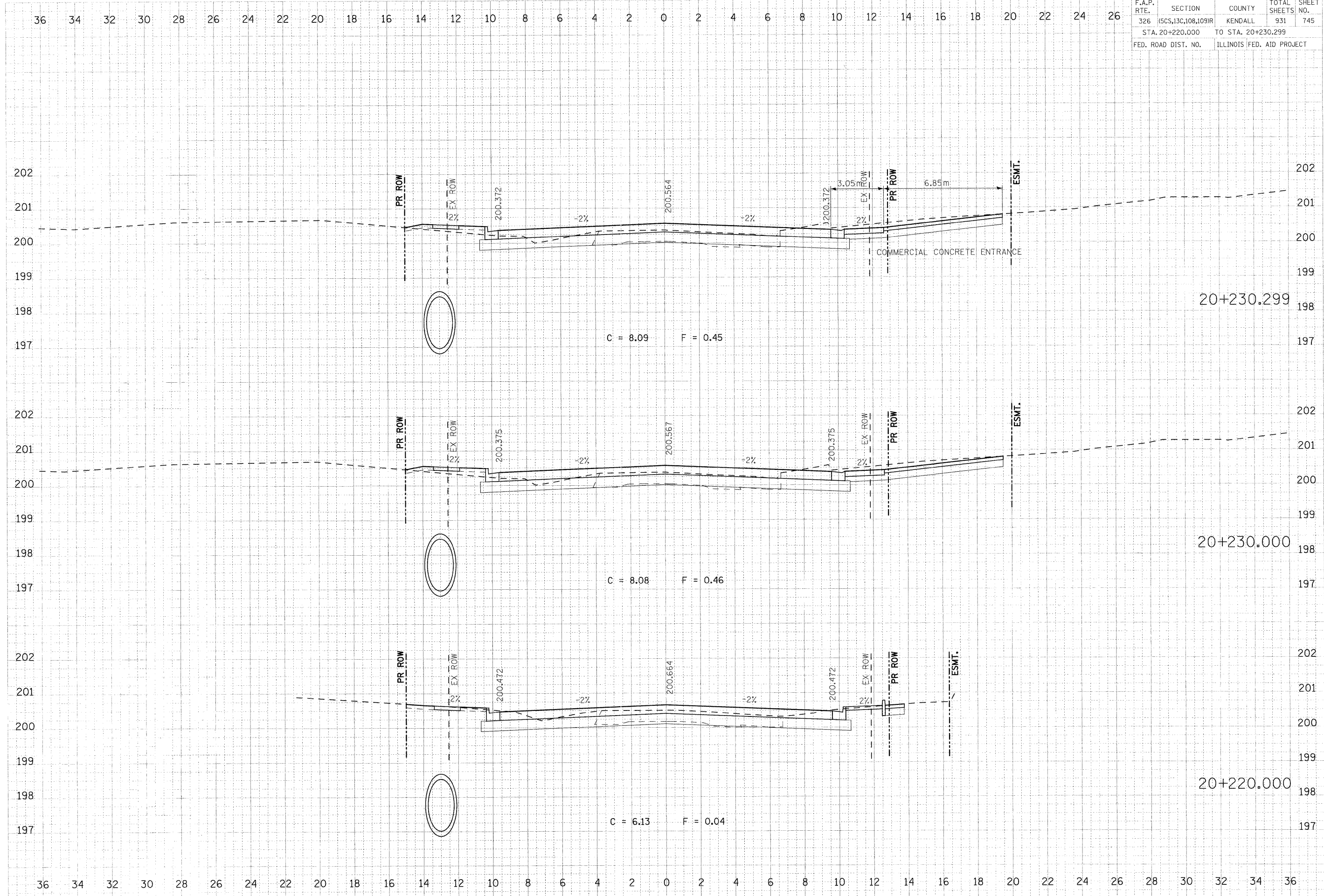


FINAL SURVEY
 DATE: _____
 BY: _____
 CHECKED BY: _____
 DATE: _____
 SURVEY NO.: _____
 PROJECT NO.: _____
 DRAWING NO.: _____

ORIGINAL SURVEY
 DATE: _____
 BY: _____
 CHECKED BY: _____
 DATE: _____
 SURVEY NO.: _____
 PROJECT NO.: _____
 DRAWING NO.: _____

PLOT DATE = 07/26/2011
 PLOT SCALE = 0.1000 MM
 USER NAME = _USERDESCR_

F.A.P. RTE.	SECTION	COUNTY	TOTAL SHEETS	SHEET NO.
326	(5CS,13C,108,109)R	KENDALL	931	745
STA. 20+220.000		TO STA. 20+230.299		
FED. ROAD DIST. NO.		ILLINOIS FED. AID PROJECT		



C = 8.09 F = 0.45

C = 8.08 F = 0.46

C = 6.13 F = 0.04

20+230.299

20+230.000

20+220.000

PROJECT NO.	DATE
326	07/26/2001
SECTION	SECTION
(5CS,13C,108,109)R	(5CS,13C,108,109)R
COUNTY	COUNTY
KENDALL	KENDALL
TOTAL SHEETS	TOTAL SHEETS
931	931
SHEET NO.	SHEET NO.
745	745

ORIGINAL SURVEY	DATE
SURVEY	07/26/2001
NOTE BOOK	AREA
AREA	AREA
AREA	AREA
AREA	AREA

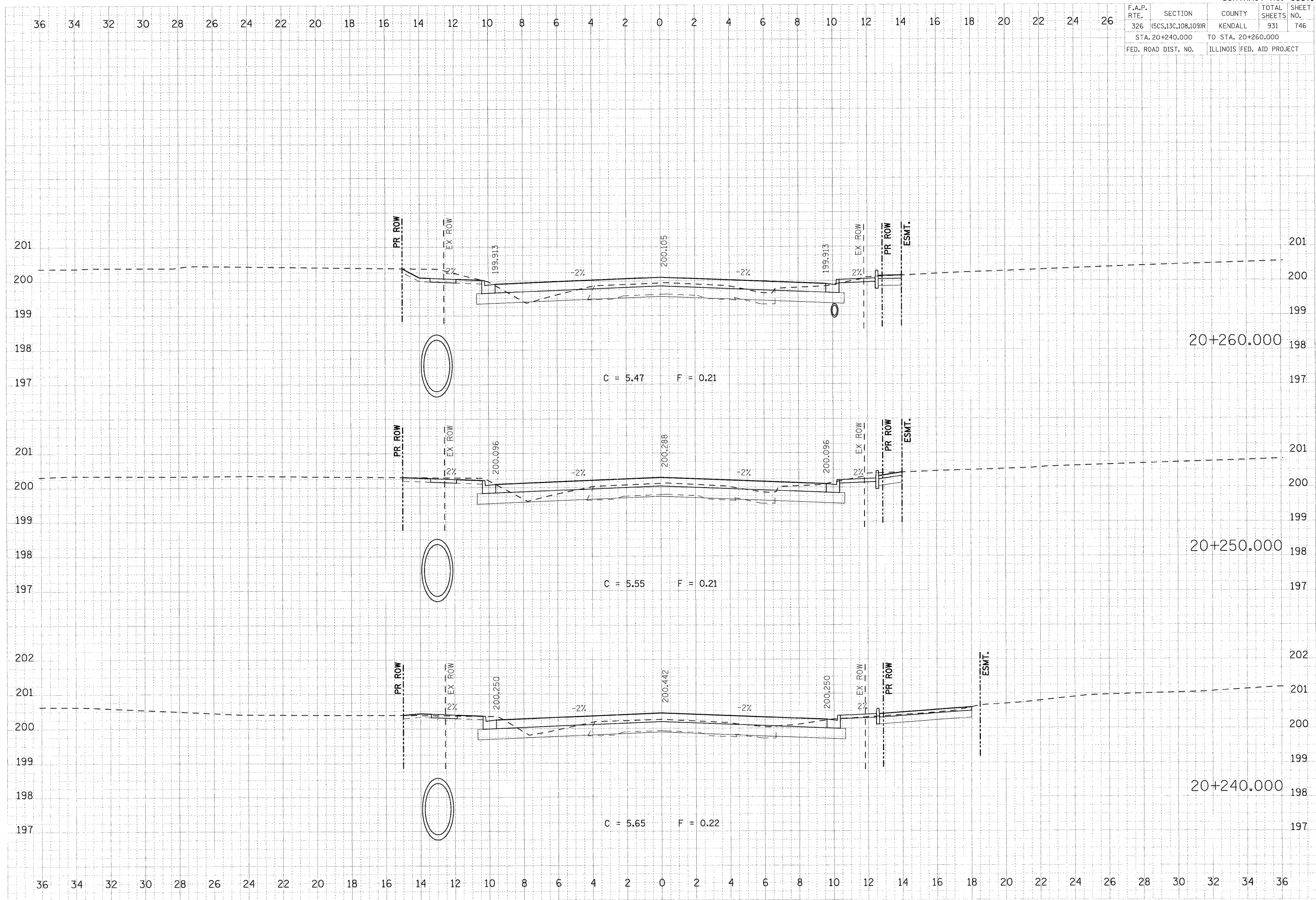
PLOT DATE = 07/26/2001
 FILE NAME = 61726265-1141-473.dgn
 FILE SCALE = 1000
 USER NAME = USERDESCR

F.A.P. RTE.	SECTION	COUNTY	TOTAL SHEETS	SHEET NO.
326	(SCS,13C,108,109)R	KENDALL	931	746
STA. 20+240.000		TO STA. 20+260.000		
FED. ROAD DIST. NO.		ILLINOIS FED. AID PROJECT		

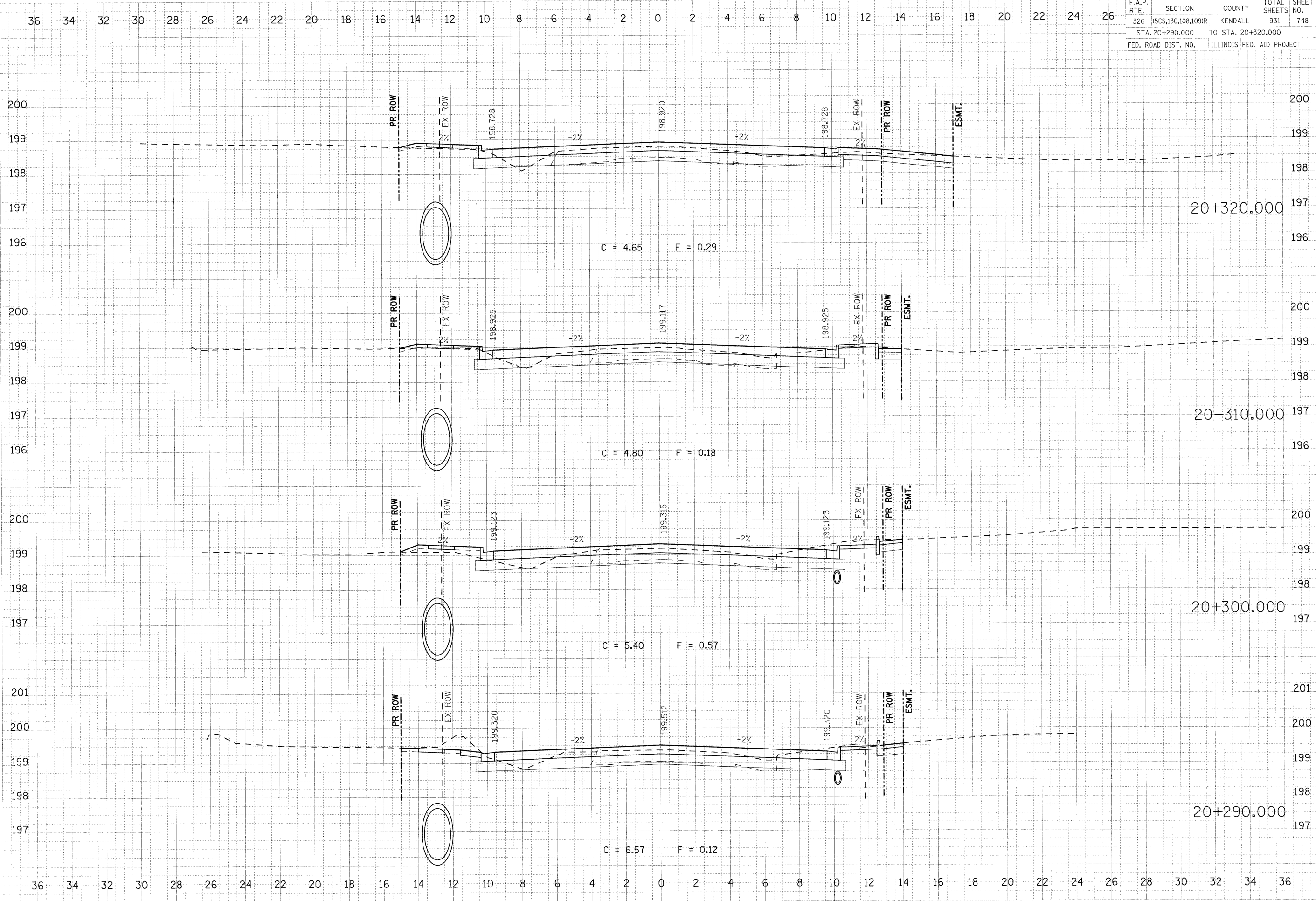
FINAL	DATE
DESIGNED	
CHECKED	
APPROVED	
DATE	

ORIGINAL	DATE
DESIGNED	
CHECKED	
APPROVED	
DATE	

PLOT DATE = 07/26/2011
 PLOT NAME = 20+240-111-47a.dgn
 PLOT SCALE = 0.1000 MM.
 USER NAME = JUSERDESCR



F.A.P. RTE.	SECTION	COUNTY	TOTAL SHEETS	SHEET NO.
326	(5CS,13C,108,109)R	KENDALL	931	748
STA. 20+290.000		TO STA. 20+320.000		
FED. ROAD DIST. NO.		ILLINOIS FED. AID PROJECT		

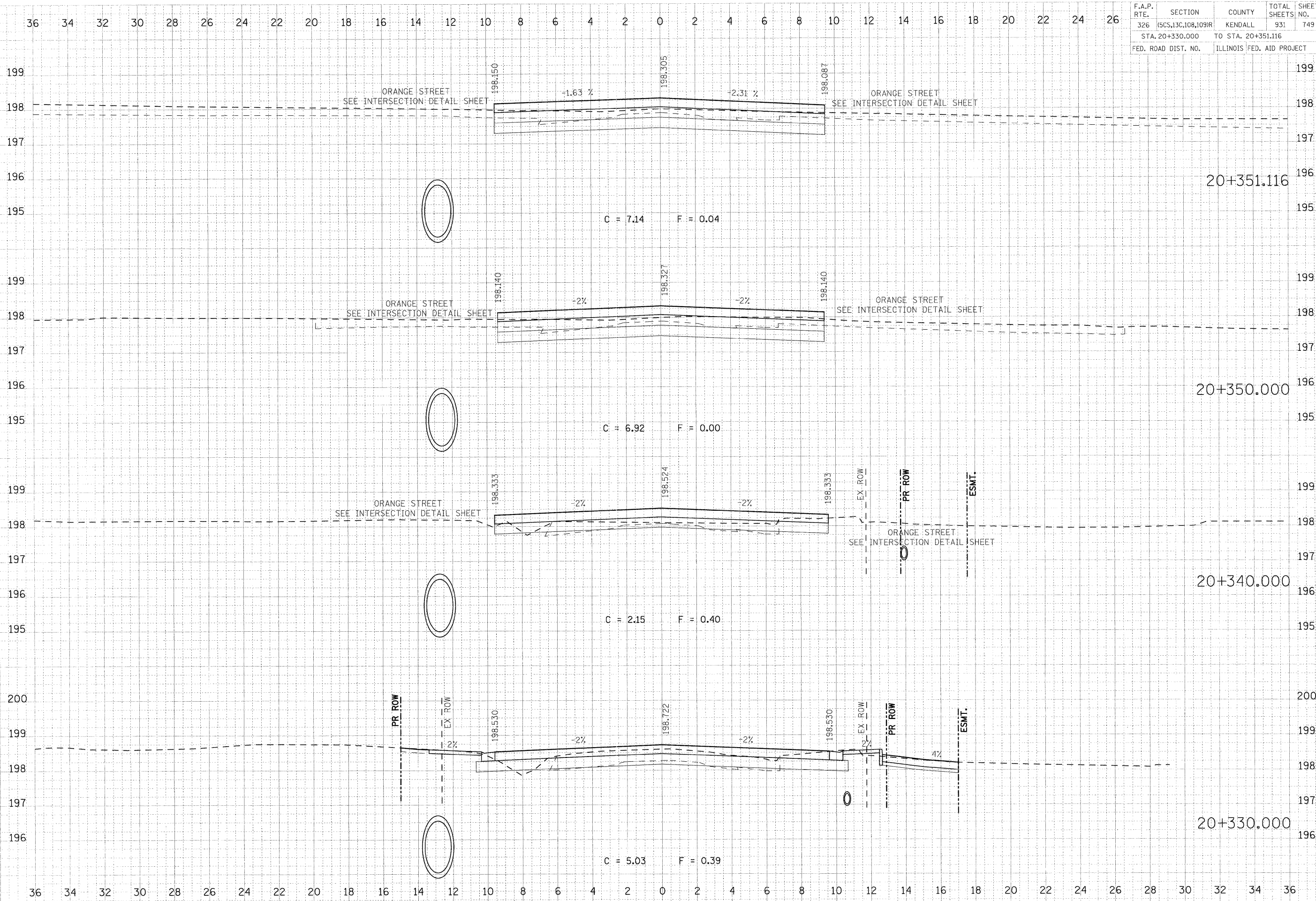


FINAL
 SURVEYED
 SCHEMATIC
 DATE

ORIGINAL
 SURVEYED
 SCHEMATIC
 DATE

PLOT DATE = 07/26/2011
 FILE NAME = 693-782XS.shxf_47a.dgn
 PLOT SCALE = 0.10000 m / MM.
 USER NAME = -USERDESCR

F.A.P. RTE.	SECTION	COUNTY	TOTAL SHEETS	SHEET NO.
326	(5CS,13C,108,109)R	KENDALL	931	749
STA. 20+330.000		TO STA. 20+351.116		
FED. ROAD DIST. NO.		ILLINOIS FED. AID PROJECT		

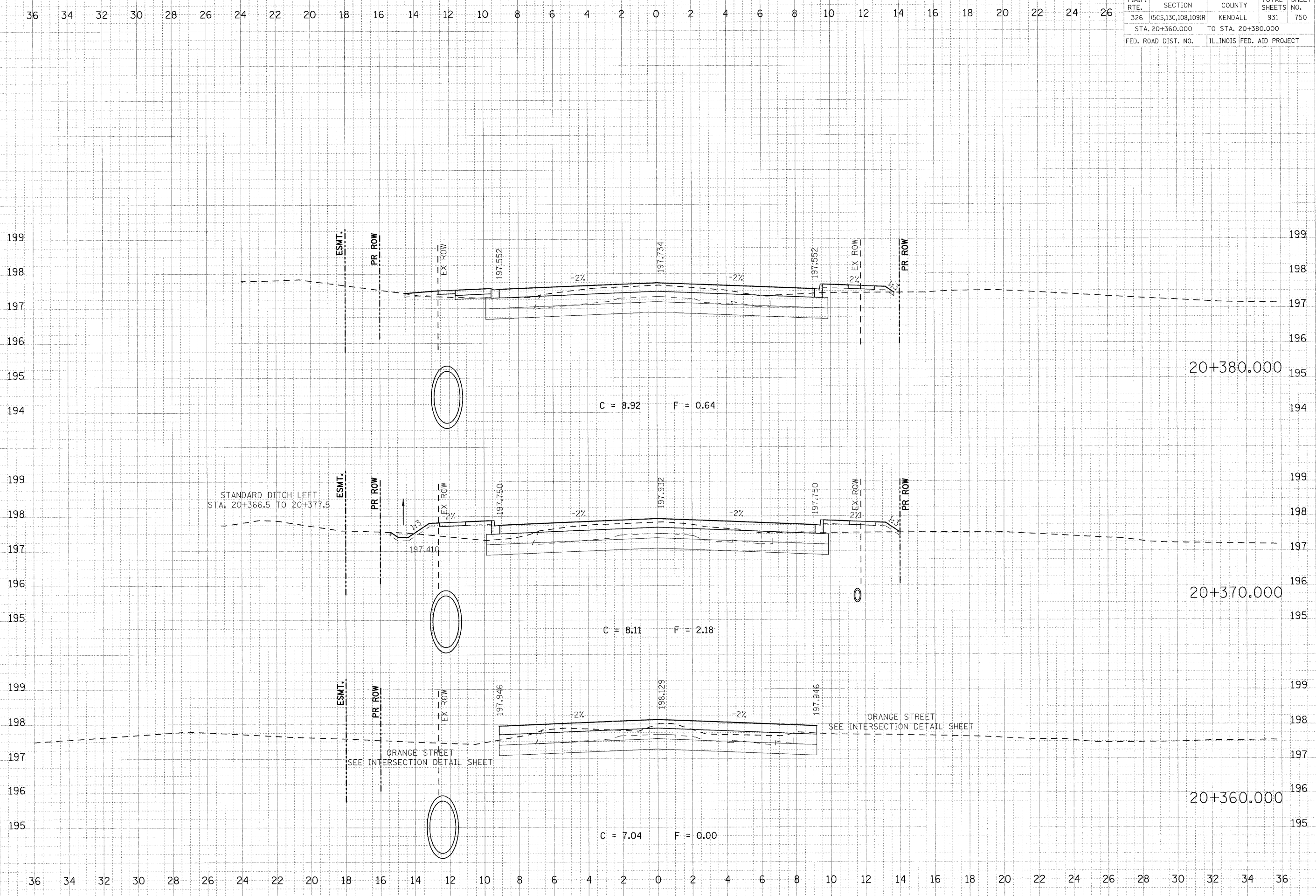


DATE	BY	DESCRIPTION
07/26/2011	MM	USERDESCR

DATE	BY	DESCRIPTION
07/26/2011	MM	USERDESCR

PLOT DATE = 07/26/2011
 PLOT TIME = 6:30:00 PM
 PLOT SCALE = 1"=40'
 USER NAME = USERDESCR

F.A.P. RTE.	SECTION	COUNTY	TOTAL SHEETS	SHEET NO.
326	(SCS,13C,108,109)R	KENDALL	931	750
STA. 20+360.000		TO STA. 20+380.000		
FED. ROAD DIST. NO.		ILLINOIS FED. AID PROJECT		

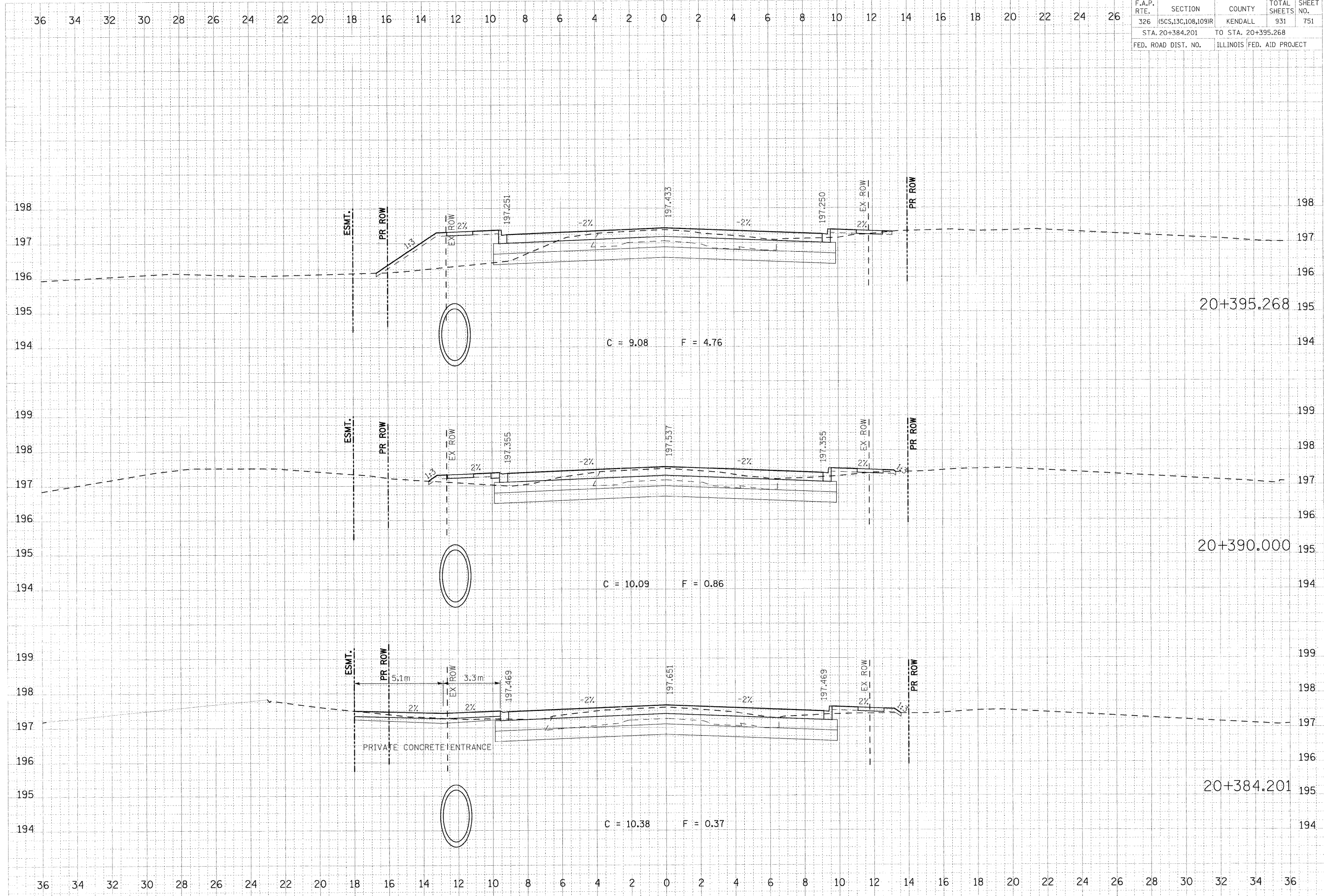


FINAL SURVEY	BT	DATE
SURVEYED		
NOTE BOOK		
AREAS CHECKED		
AREAS UNCHECKED		

ORIGINAL SURVEY	BT	DATE
SURVEYED		
NOTE BOOK		
AREAS CHECKED		
AREAS UNCHECKED		

PLOT DATE = 07/26/2011
 PLOT SCALE = 0.1000 MM
 USER NAME = JUSERDESCR

F.A.P. RTE.	SECTION	COUNTY	TOTAL SHEETS	SHEET NO.
326	(5CS,13C,108,109)R	KENDALL	931	751
STA. 20+384.201		TO STA. 20+395.268		
FED. ROAD DIST. NO.		ILLINOIS FED. AID PROJECT		

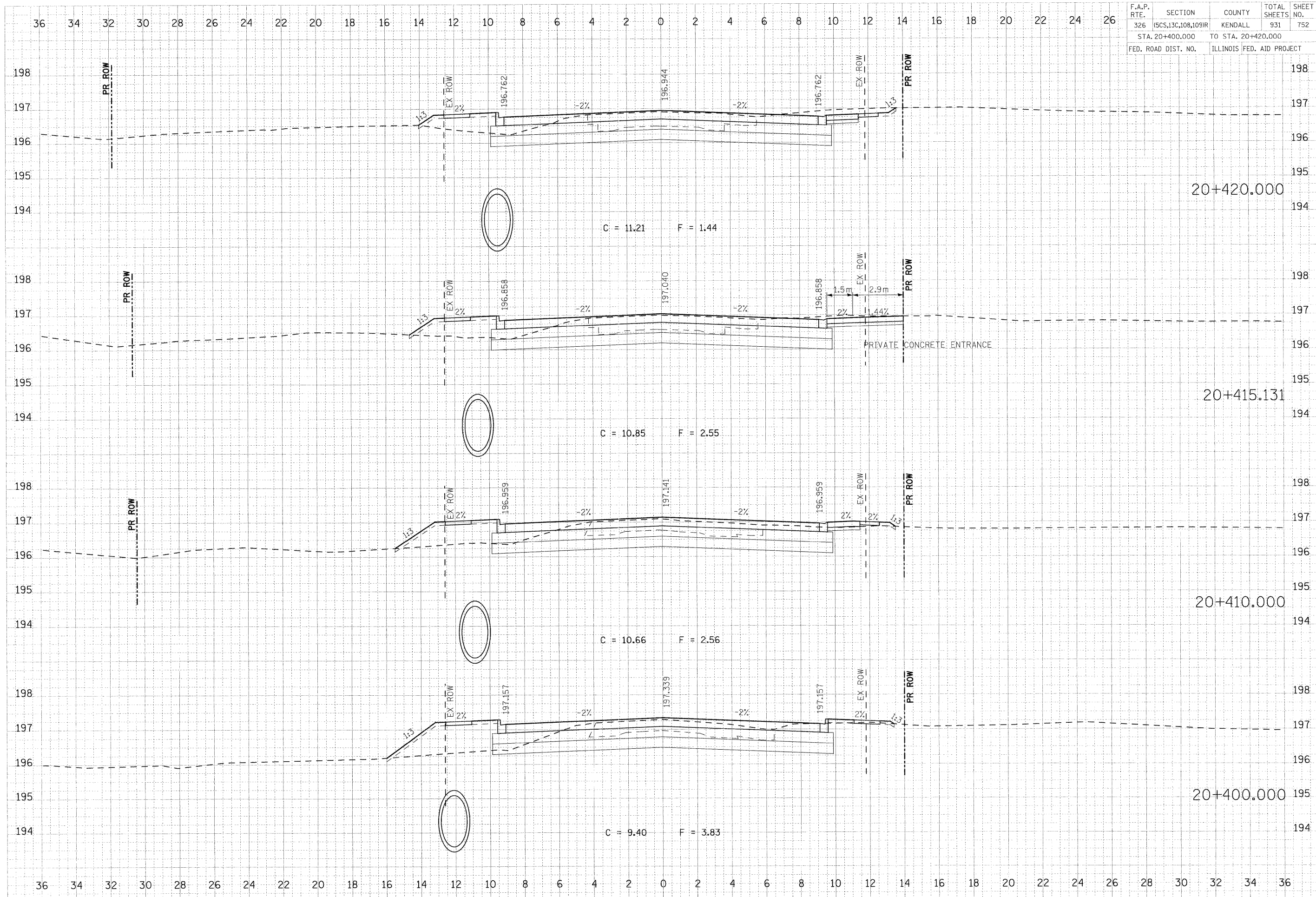


DATE	BY
DATE	BY
DATE	BY
DATE	BY
DATE	BY

DATE	BY
DATE	BY
DATE	BY
DATE	BY
DATE	BY

PLOT DATE = 07/26/2011
 FILE NAME = 63576265.dwg
 USER NAME = JUSERDESCR

F.A.P. RTE.	SECTION	COUNTY	TOTAL SHEETS	SHEET NO.
326	(5CS,13C,108,109)R	KENDALL	931	752
STA. 20+400.000		TO STA. 20+420.000		
FED. ROAD DIST. NO.		ILLINOIS FED. AID PROJECT		

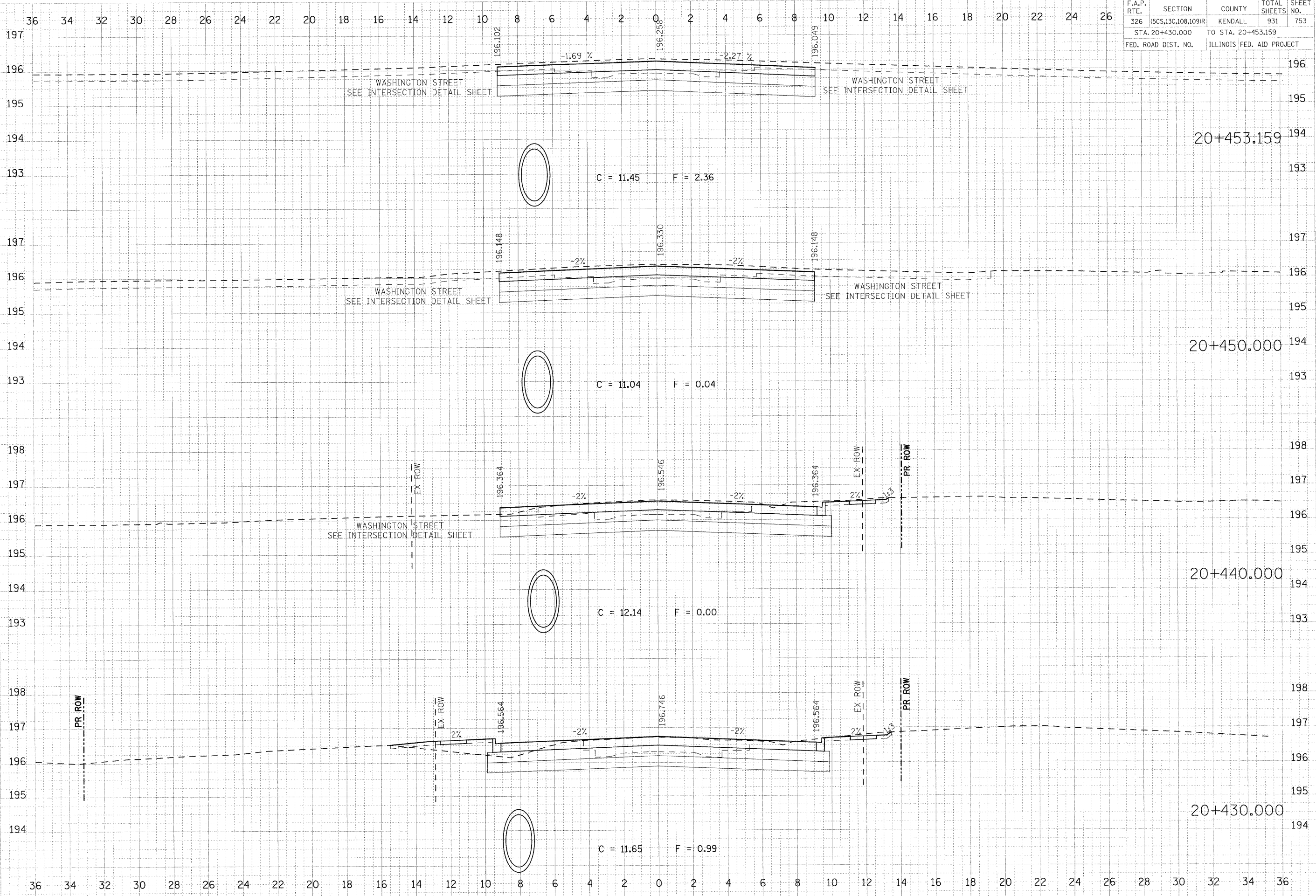


ORIGINAL SURVEY
 SURVEYED BY
 DATE
 CHECKED BY
 DATE
 DESIGNED BY
 DATE
 PLOTTED BY
 DATE
 NOTE NO. 1
 NO.

ORIGINAL SURVEY
 SURVEYED BY
 DATE
 CHECKED BY
 DATE
 DESIGNED BY
 DATE
 PLOTTED BY
 DATE
 NOTE NO. 1
 NO.

PLOT DATE = 07/26/2011
 FILE NAME = 693-7263-A11-47a.dgn
 PLOT SCALE = 0.1000 m / MM
 USER NAME = JUSERDESCR

F.A.P. RTE.	SECTION	COUNTY	TOTAL SHEETS	SHEET NO.
326	(5CS,13C,108,109)R	KENDALL	931	753
STA. 20+430.000		TO STA. 20+453.159		
FED. ROAD DIST. NO.		ILLINOIS FED. AID PROJECT		

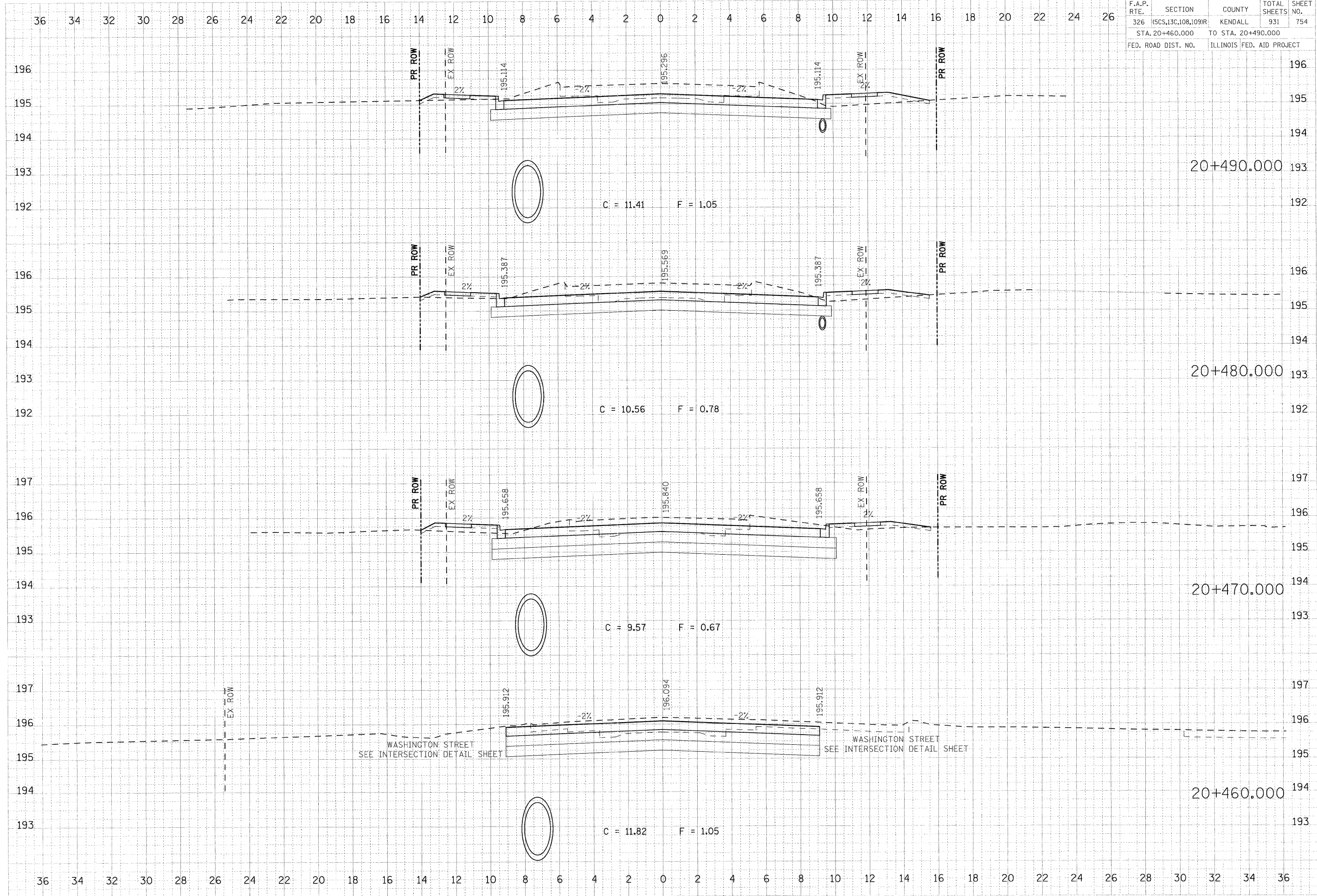


FINAL SURVEY BY DATE
 SURVEY BY DATE
 CHECKED BY DATE
 NO. OF AREAS CHECKED

ORIGINAL SURVEY BY DATE
 SURVEY BY DATE
 CHECKED BY DATE
 NO. OF AREAS CHECKED

PLOT DATE = 07/26/2011
 FILE NAME = 63978265.shrf_47a.dgn
 USER NAME = JUSERSCHL

F.A.P. RTE.	SECTION	COUNTY	TOTAL SHEETS	SHEET NO.
326	(SCS,13C,108,109)R	KENDALL	931	754
STA. 20+460.000		TO STA. 20+490.000		
FED. ROAD DIST. NO.		ILLINOIS FED. AID PROJECT		

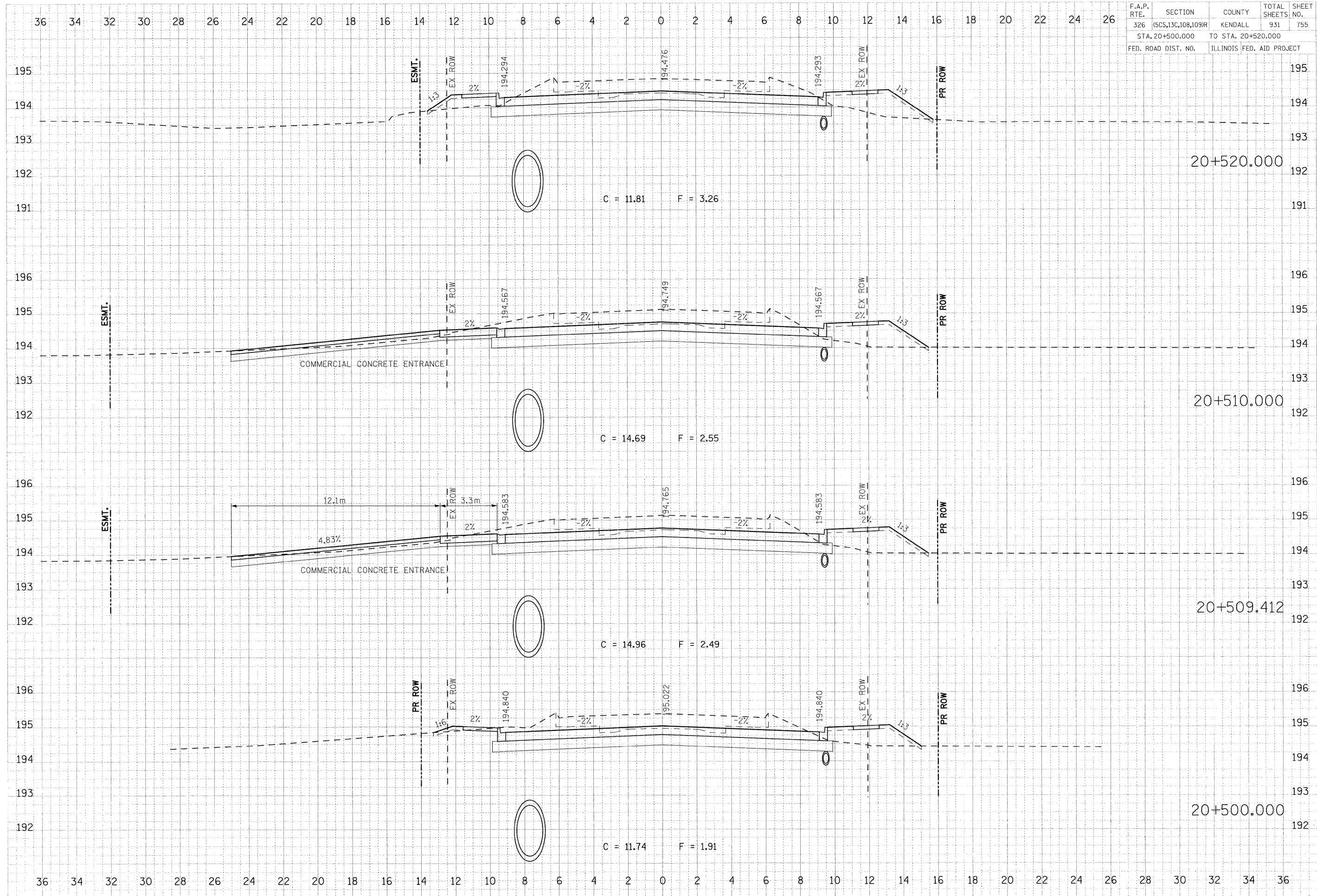


F:\M...
 SURVEY...
 NOTE BOOK...
 AREAS CHECKED...

ORIGINAL...
 SURVEY...
 NOTE BOOK...
 AREAS CHECKED...

PLOT DATE = 07/26/2011
 FILE NAME = 07/26/2011.dgn
 USER NAME = USERDESCR

F.A.P. RTE.	SECTION	COUNTY	TOTAL SHEETS	SHEET NO.
326	(SCS,13C,108,109)R	KENDALL	931	755
STA. 20+500.000		TO STA. 20+520.000		
FED. ROAD DIST. NO.		ILLINOIS FED. AID PROJECT		

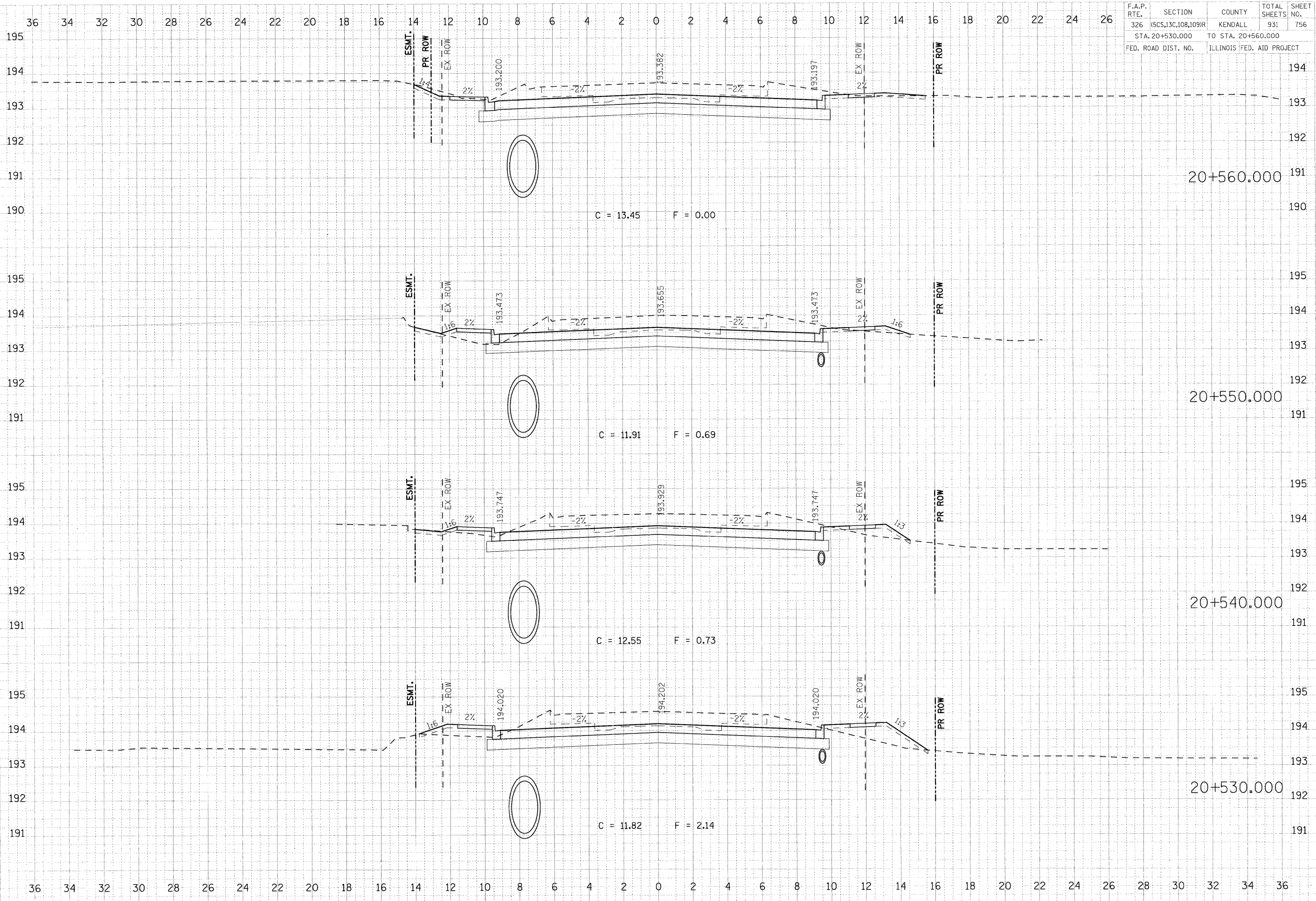


FINAL	DATE
SURVEY	BY
NOTE BOOK	
AREA	
AREA	
AREA	

ORIGINAL	DATE
REVISION	BY
NOTE BOOK	
AREA	
AREA	
AREA	

PLOT DATE = 07/26/2011
 PLOT SCALE = 1:1000
 USER NAME = USERBESCR

F.A.P. RTE.	SECTION	COUNTY	TOTAL SHEETS	SHEET NO.
326	(SCS,13C,108,109)R	KENDALL	931	756
STA. 20+530.000		TO STA. 20+560.000		
FED. ROAD DIST. NO.		ILLINOIS FED. AID PROJECT		

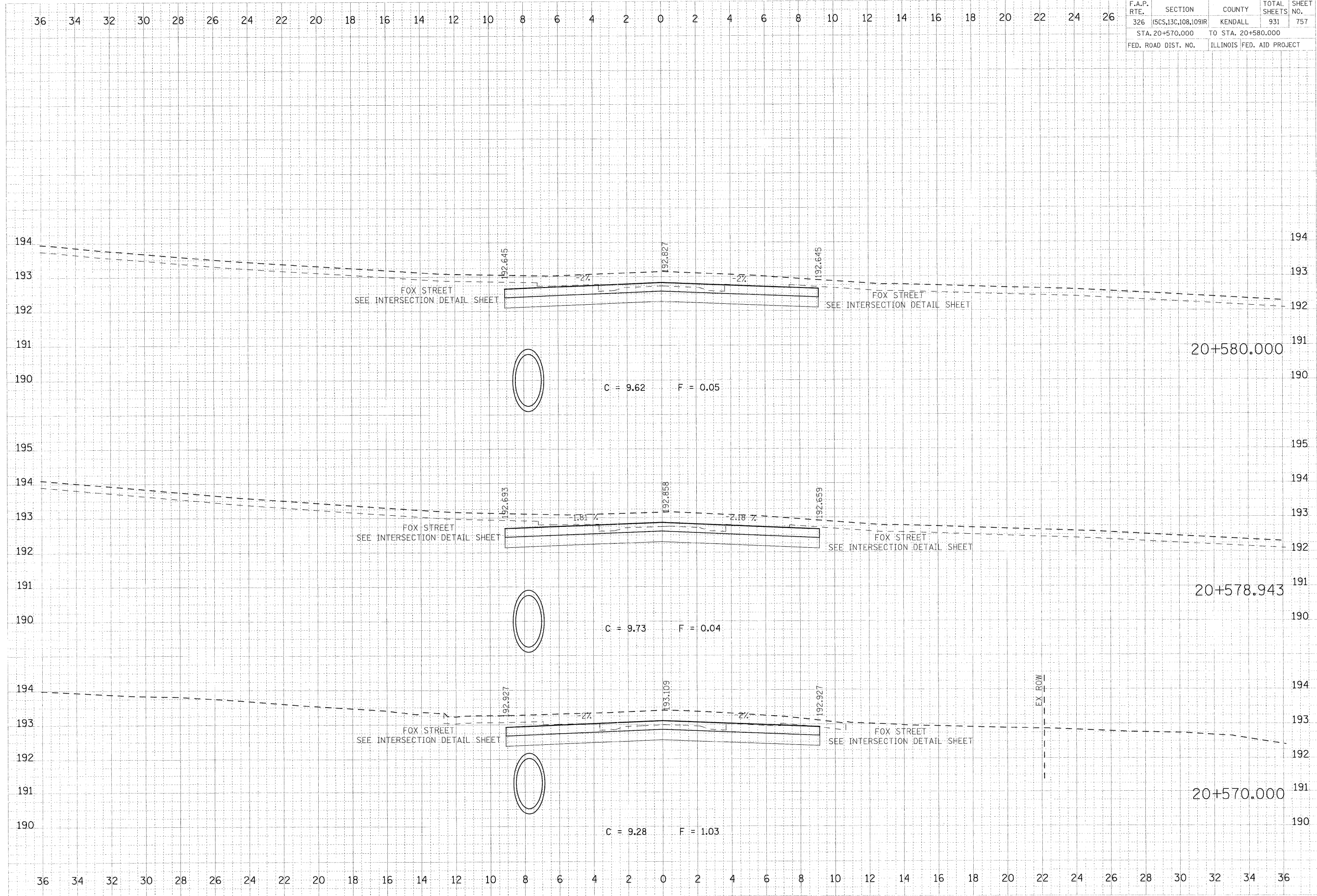


FILE	DATE
DESIGNED	
CHECKED	
IN CHARGE	
DATE	

FILE	DATE
DESIGNED	
CHECKED	
IN CHARGE	
DATE	

PLOT DATE = 07/26/2011
 PLOT SCALE = 1/8"=1'-0"
 USER NAME = USERDESCR

F.A.P. RTE.	SECTION	COUNTY	TOTAL SHEETS	SHEET NO.
326	(SCS,13C,108,109)R	KENDALL	931	757
STA. 20+570.000		TO STA. 20+580.000		
FED. ROAD DIST. NO.		ILLINOIS FED. AID PROJECT		

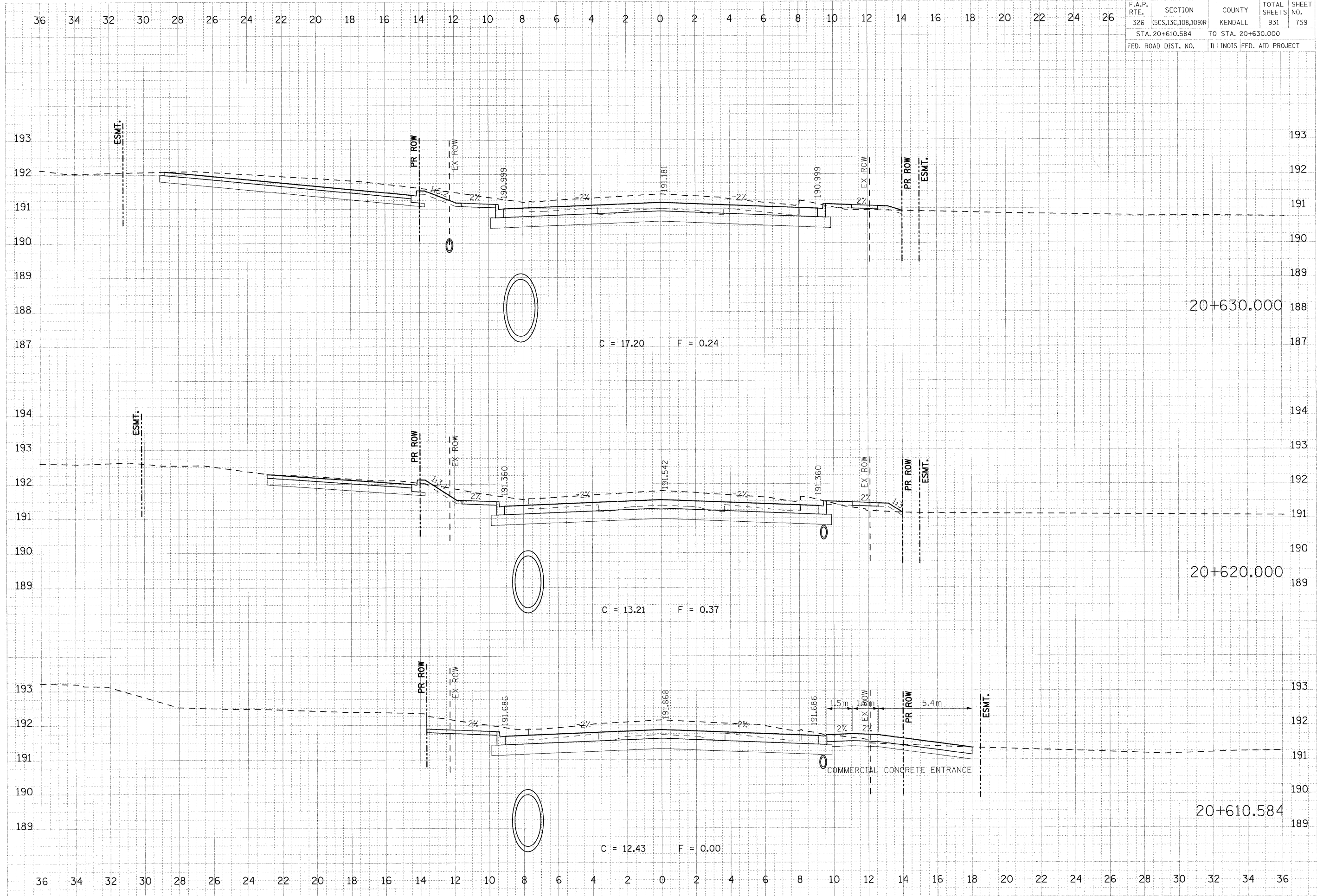


DATE: _____ BY: _____
 SURVEYED: _____
 SURVEY: _____
 NOTE BOOK: _____
 AREA: _____
 NO. _____

DATE: _____ BY: _____
 ORIGINAL SURVEY: _____
 SURVEY: _____
 NOTE BOOK: _____
 AREA: _____
 NO. _____

PLOT DATE = 07/26/2011
 FILE NAME = 610726265.plt-47a.dgn
 USER NAME = JUSPERESCR

F.A.P. RTE.	SECTION	COUNTY	TOTAL SHEETS	SHEET NO.
326	(SCS,13C,108,109)R	KENDALL	931	759
STA. 20+610.584		TO STA. 20+630.000		
FED. ROAD DIST. NO.		ILLINOIS FED. AID PROJECT		



FILED
 SUPPLY
 NOTE BOOK
 AREA
 NO.

ORIGINAL
 SURVEY
 NOTE BOOK
 AREA
 NO.

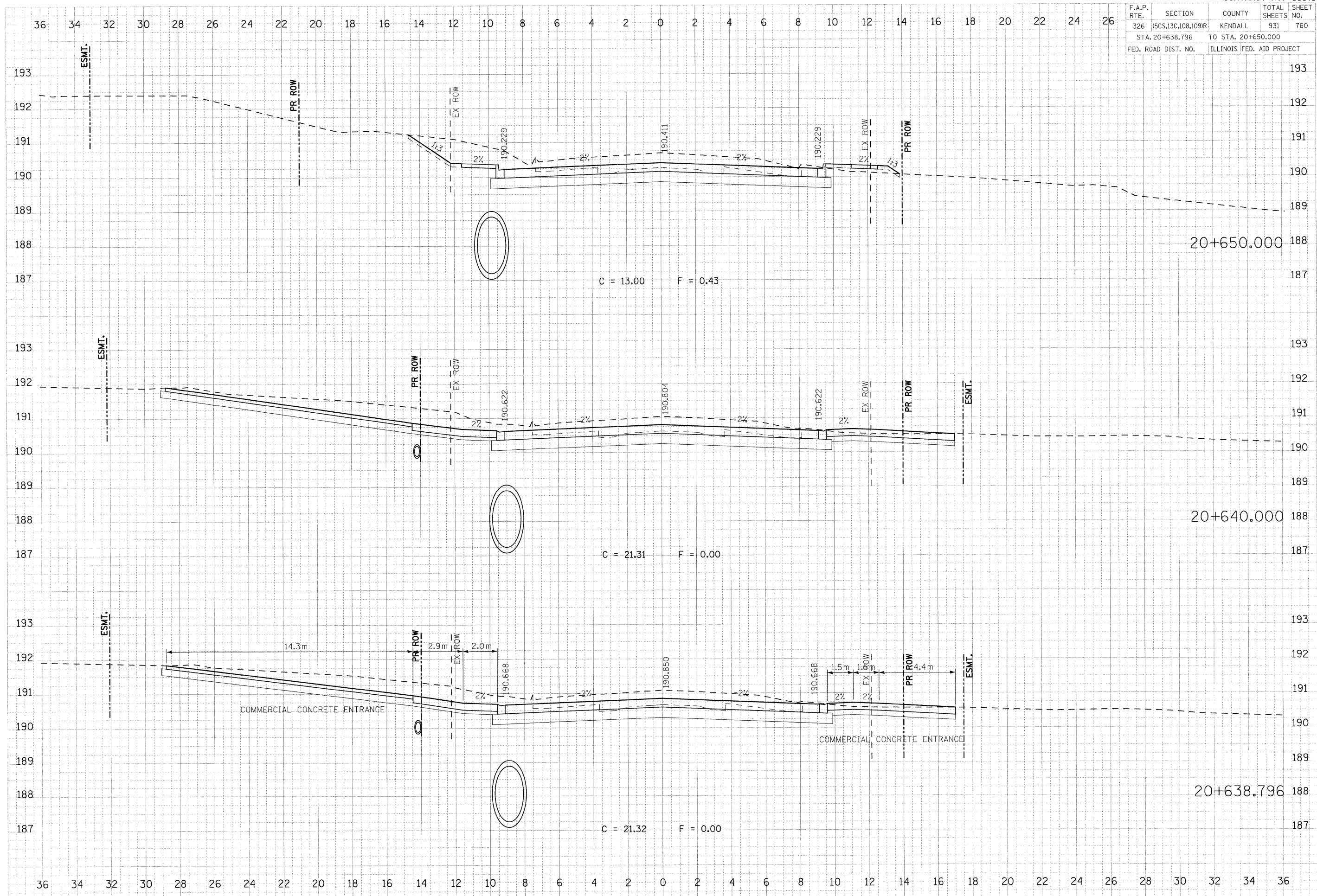
PLOT DATE = 07/26/2011
 FILE NAME = 692-72X3-11-f-47a.dgn
 PLOT SCALE = 0.10000 in / MM
 USER NAME = USERDESCR

F.A.P. RTE.	SECTION	COUNTY	TOTAL SHEETS	SHEET NO.
326	(SCS,13C,108,109)R	KENDALL	931	760
STA. 20+638.796		TO STA. 20+650.000		
FED. ROAD DIST. NO.		ILLINOIS FED. AID PROJECT		

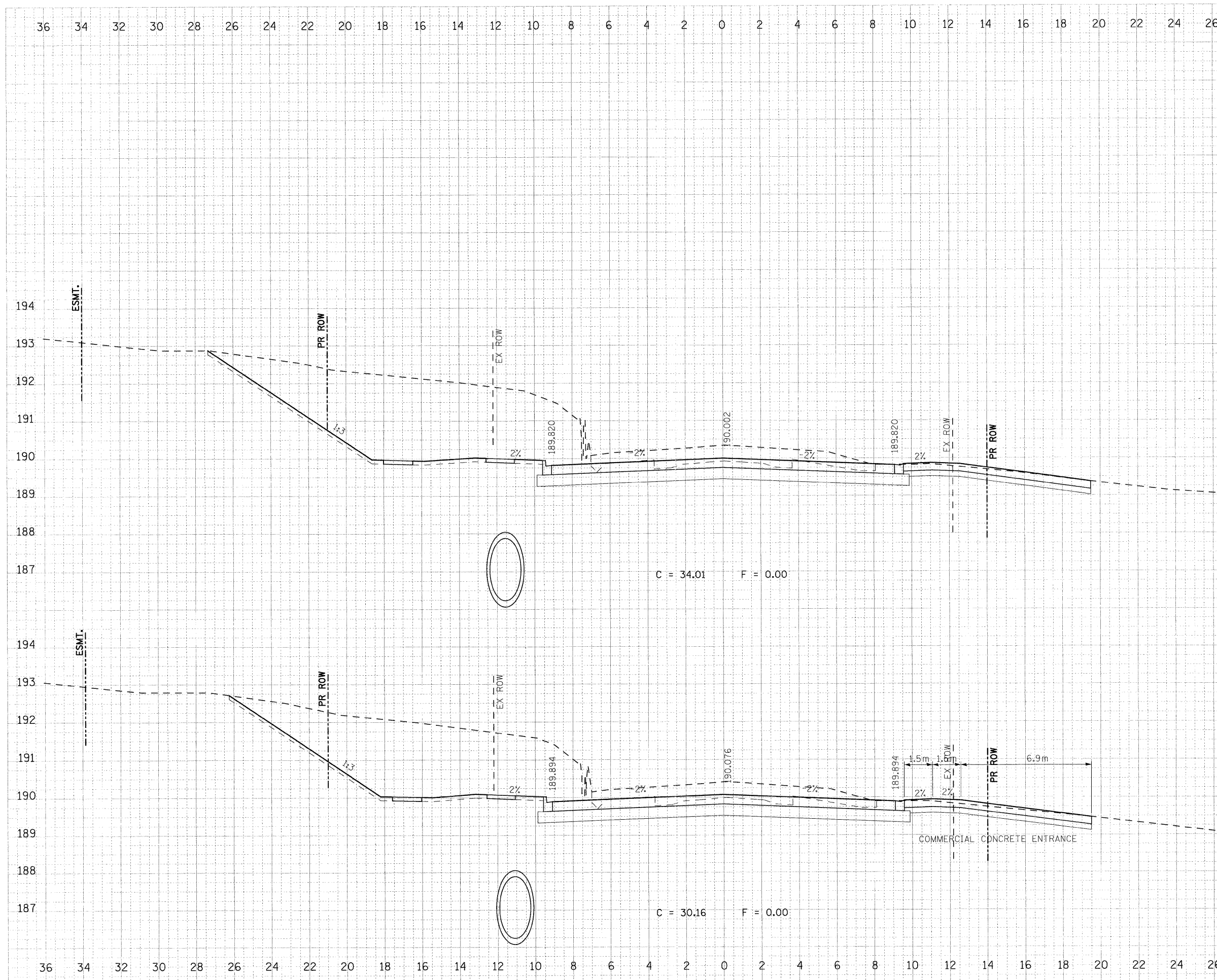
FINAL	DATE
SURVEY	BY
PLANS	
NOTES	
AREAS	
REVISIONS	

SUBMITTED	DATE
BY	
NOTES	
REVISIONS	

PLOT DATE = 07/26/2011
 FILE NAME = 07262011.dwg
 PLOT SCALE = 1:1000
 USER NAME = USERDESCR



F.A.P. RTE.	SECTION	COUNTY	TOTAL SHEETS	SHEET NO.
326	(5C5,13C,108,109)R	KENDALL	931	761
STA. 20+658.204		TO STA. 20+660.000		
FED. ROAD DIST. NO.		ILLINOIS FED. AID PROJECT		

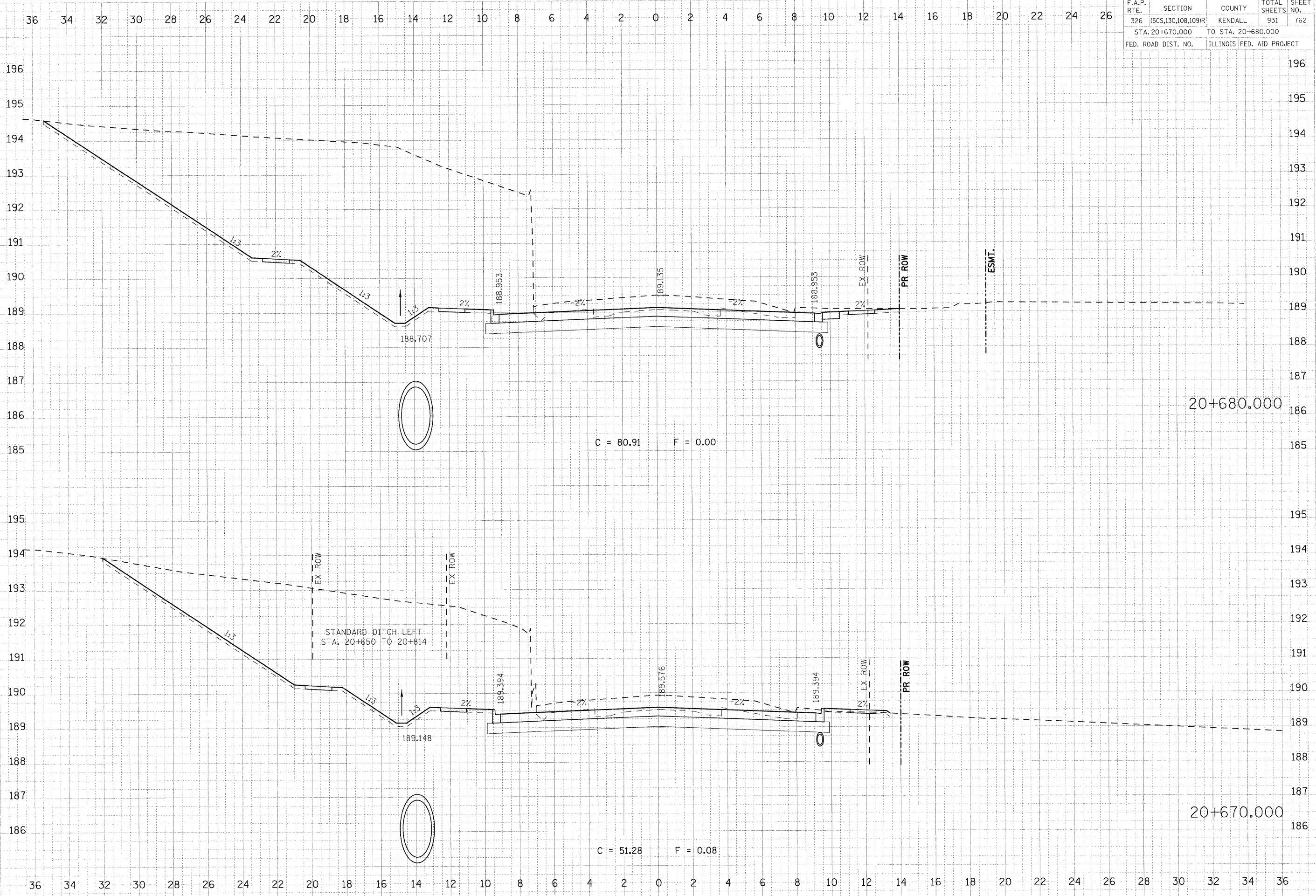


FINAL	SUBMITTED	DATE
SUPP'Y	DATE	
NOTE BOOK	TEMP. DATE	
PROJECT NUMBER		

ORIGINAL	DATE
SURVEY	
NOTE BOOK	
PROJECT NUMBER	

PLOT DATE = 07/26/2011
 FILE NAME = 64372626.dwg
 PLOT SCALE = 0.1000 / MM
 USER NAME = USERDESCR

F.A.P. RTE.	SECTION	COUNTY	TOTAL SHEETS	SHEET NO.
326	(SCS,13C,108,109)R	KENDALL	931	762
STA. 20+670.000		TO STA. 20+680.000		
FED. ROAD DIST. NO.		ILLINOIS FED. AID PROJECT		



DATE: 07/28/2011
 TIME: 8:09:26 AM
 USER: JUSERDESCR

DATE: 07/28/2011
 TIME: 8:09:26 AM
 USER: JUSERDESCR

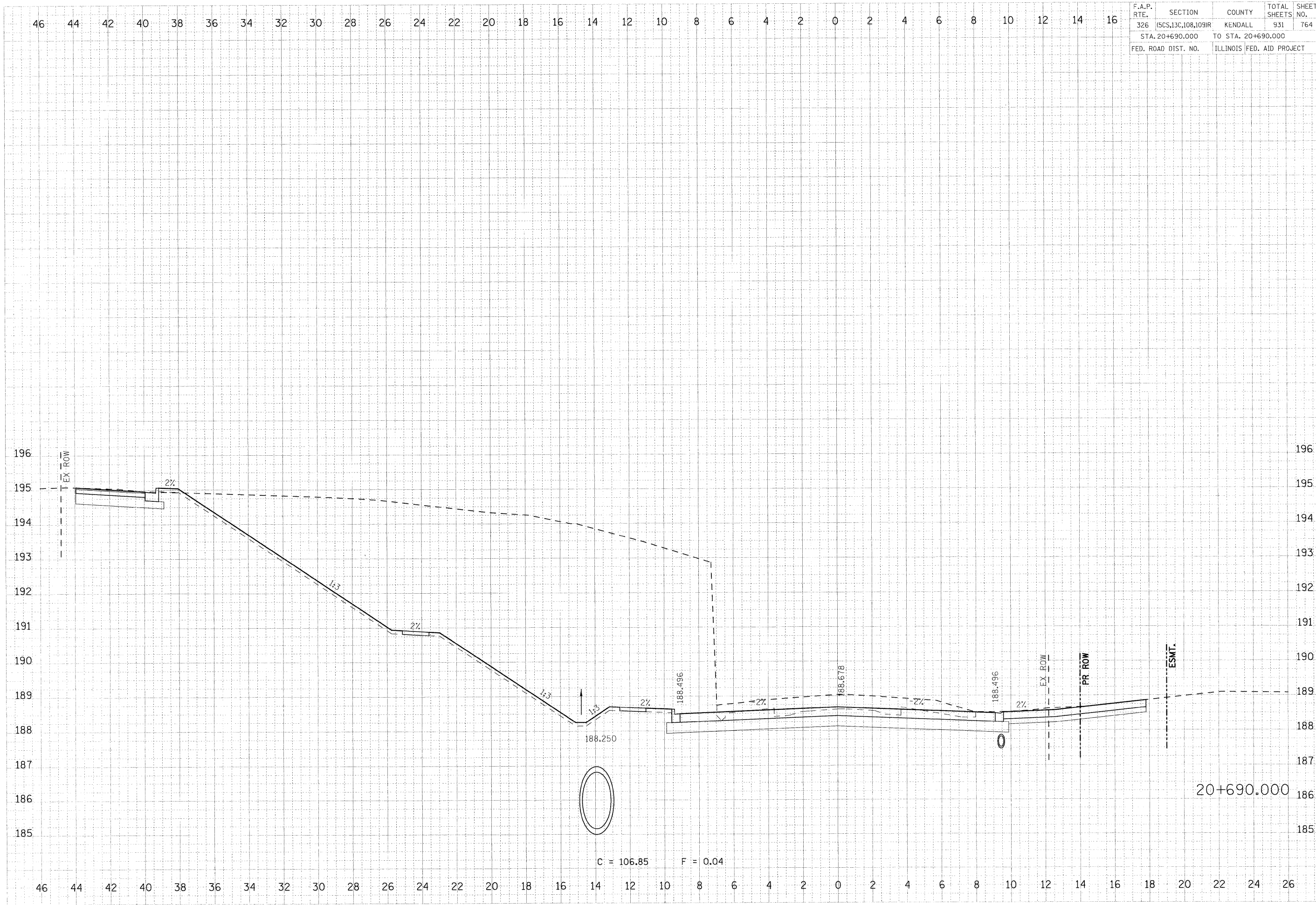
PLOT DATE = 07/28/2011
 FILE NAME = 670726.mxd
 USER NAME = JUSERDESCR

F.A.P. RTE.	SECTION	COUNTY	TOTAL SHEETS	SHEET NO.
326	(5CS,13C,108,109)R	KENDALL	931	764
STA. 20+690.000		TO STA. 20+690.000		
FED. ROAD DIST. NO.		ILLINOIS FED. AID PROJECT		

FILE NO.	DATE
SUPV.	BY
DESIGNED	CHECKED
PLOTTED	
REVISED	
NOTES	
REVISIONS	

ORIGINAL	DATE
SURVEY	BY
NOTED	CHECKED
REVISED	
REVISIONS	

PLOT DATE = 07/26/2011
 FILE NAME = 693-782XS.dwg
 PLOT SCALE = 0.1000 m / MM
 USER NAME = JUSERDESCR.

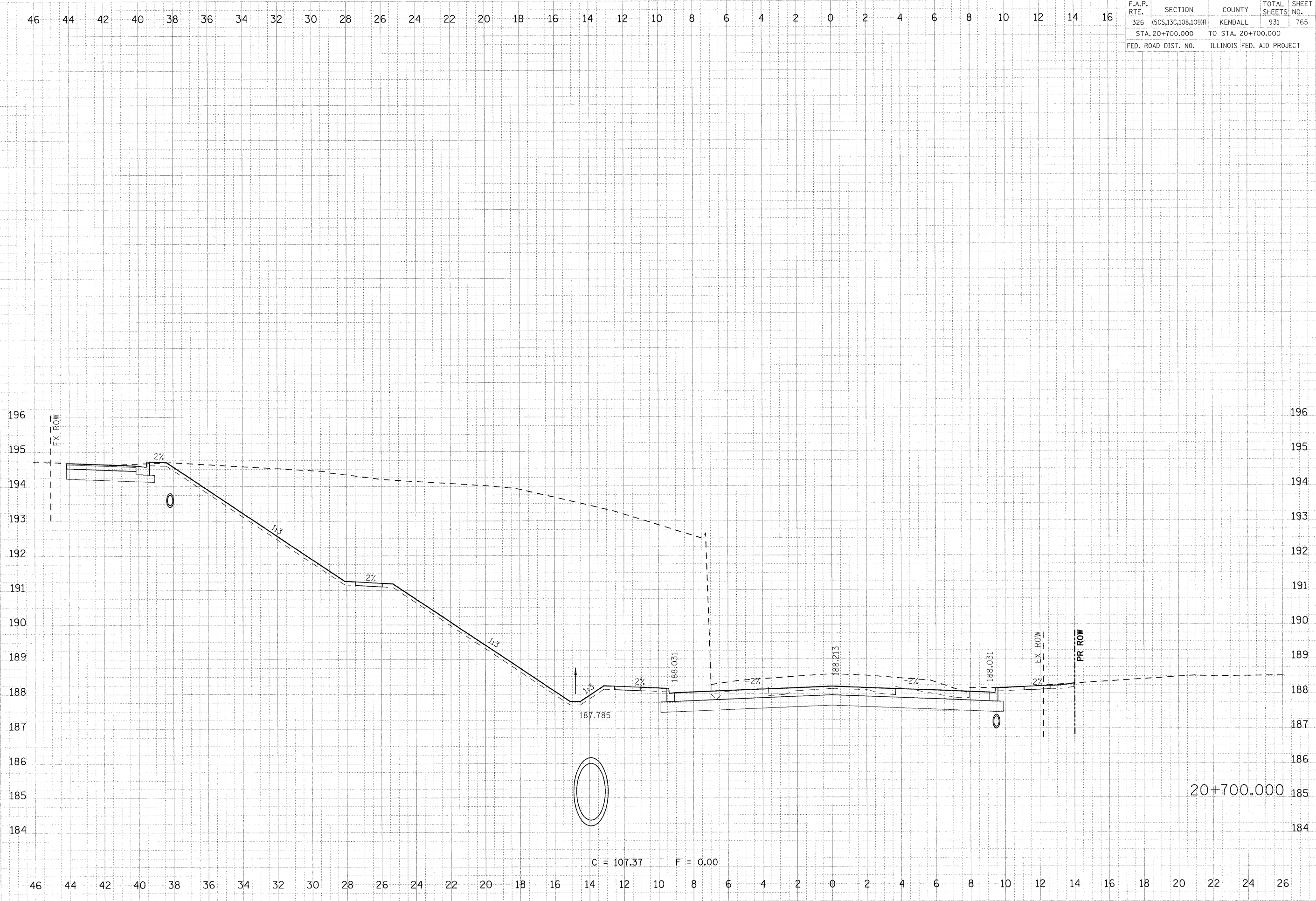


F.A.P. RTE.	SECTION	COUNTY	TOTAL SHEETS	SHEET NO.
326	(5CS,13C,108,109)R	KENDALL	931	765
STA. 20+700.000		TO STA. 20+700.000		
FED. ROAD DIST. NO.		ILLINOIS FED. AID PROJECT		

FINAL	SUPERVISOR	DATE

ORIGINAL	SUPERVISOR	DATE

PLOT DATE = 07/26/2011
 FILE NAME = 60378216.surf_47a.dgn
 USER NAME = JUSERDESCR



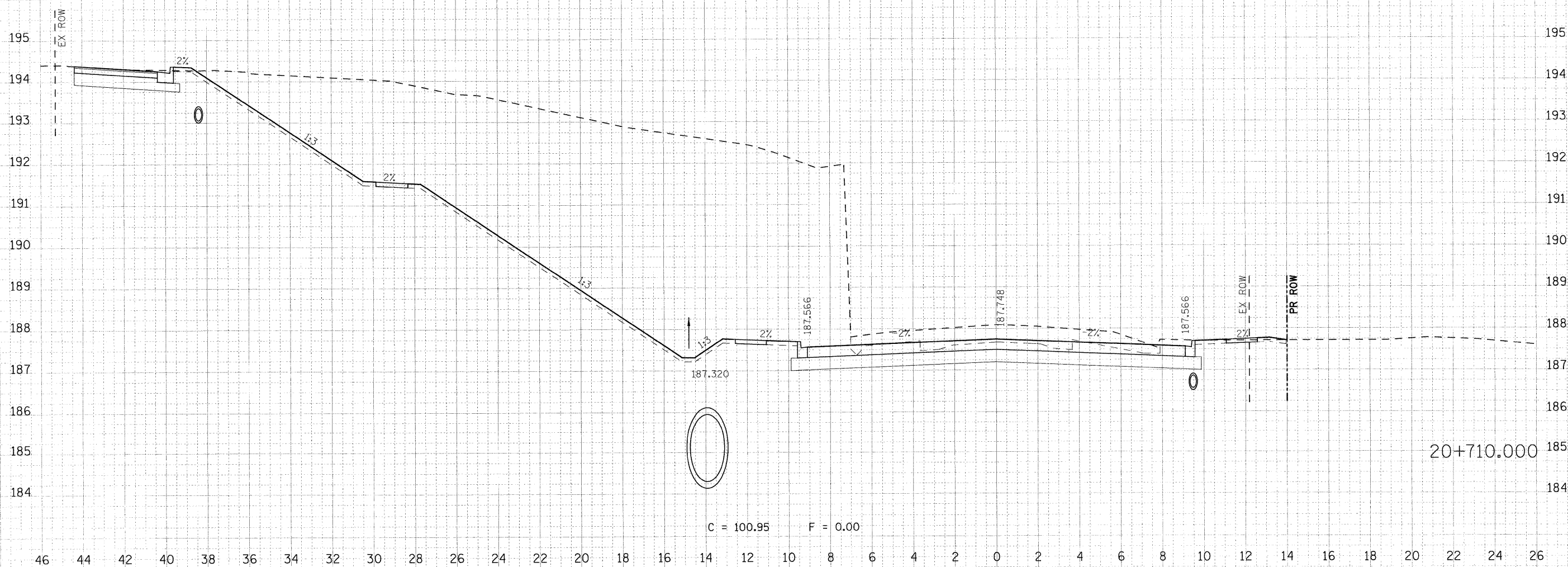
F.A.P. RTE.	SECTION	COUNTY	TOTAL SHEETS	SHEET NO.
326	(SCS,13C,108,109)R	KENDALL	931	766
STA. 20+710.000 TO STA. 20+710.000				
FED. ROAD DIST. NO.		ILLINOIS FED. AID PROJECT		

46 44 42 40 38 36 34 32 30 28 26 24 22 20 18 16 14 12 10 8 6 4 2 0 2 4 6 8 10 12 14 16

DATE	
BY	
CHECKED	
DESIGNED	
DRAWN	
NOTED	
APPROVED	
NO. OF SHEETS	
DATE RECEIVED	

DATE	
BY	
CHECKED	
DESIGNED	
DRAWN	
NOTED	
APPROVED	
NO. OF SHEETS	
DATE RECEIVED	

PLOT DATE = 07/26/2011
 PLOT SCALE = 61000
 USER NAME = JUSBERESCH

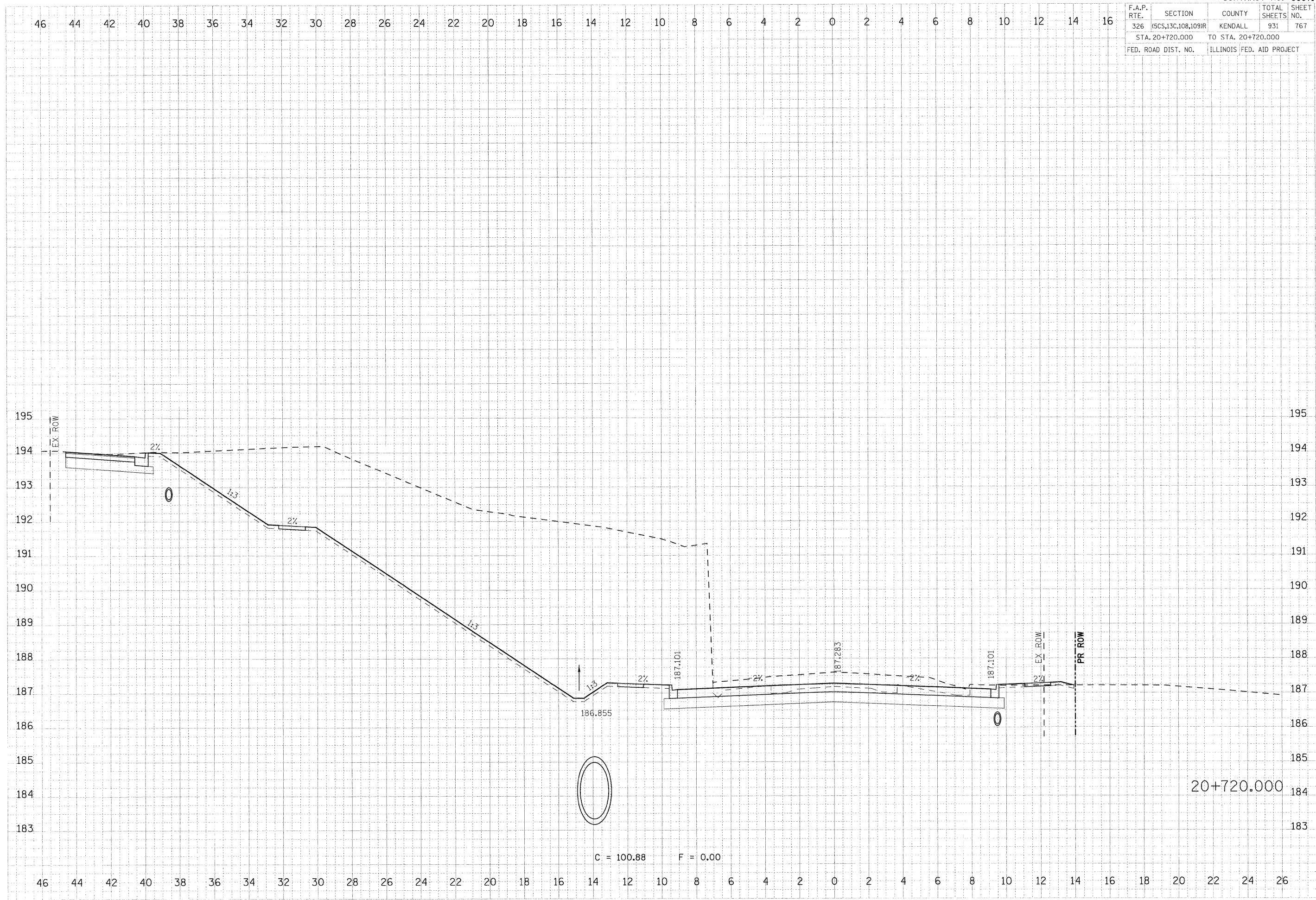


F.A.P. RTE.	SECTION	COUNTY	TOTAL SHEETS	SHEET NO.
326	(SCS,13C,108,109)R	KENDALL	931	767
STA. 20+720.000		TO STA. 20+720.000		
FED. ROAD DIST. NO.		ILLINOIS FED. AID PROJECT		

DATE	
BY	
CHECKED	
DATE	
DESIGNED	
DATE	
DRAWN	
DATE	
IN CHARGE	
DATE	
PROJECT	
DATE	
BY	
DATE	
BY	
DATE	

DATE	
BY	
CHECKED	
DATE	
DESIGNED	
DATE	
DRAWN	
DATE	
IN CHARGE	
DATE	
PROJECT	
DATE	
BY	
DATE	
BY	
DATE	

PLOT DATE = 07/26/2001
 PLOT NAME = 20+720.000.dgn
 PLOT SCALE = 0.1000 MM.
 USER NAME = USERDESCR_

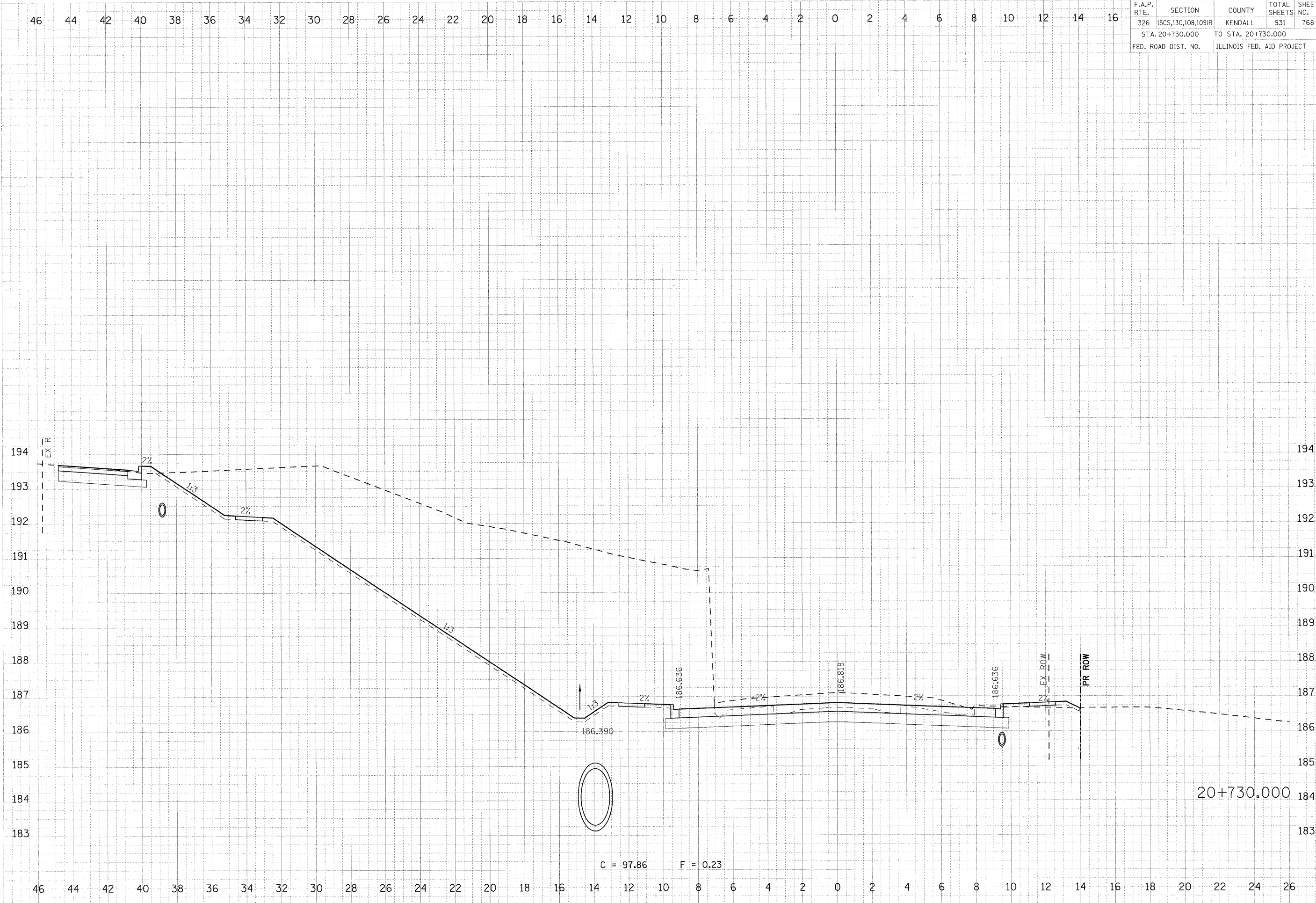


F.A.P. RTE.	SECTION	COUNTY	TOTAL SHEETS	SHEET NO.
326	5CS,13C,108,109JR	KENDALL	931	768
STA. 20+730.000		TO STA. 20+730.000		
FED. ROAD DIST. NO.		ILLINOIS FED. AID PROJECT		

ORIGINAL FILED BY DATE
 SURVEY
 NOTE BOOK
 TEMPLATE
 AREAS
 USER/DESCR

ORIGINAL FILED BY DATE
 SURVEY
 NOTE BOOK
 TEMPLATE
 AREAS
 USER/DESCR

PLOT DATE = 07/26/2011
 PLOT SCALE = 1/8" = 100'
 USER NAME = JUSERDESCR



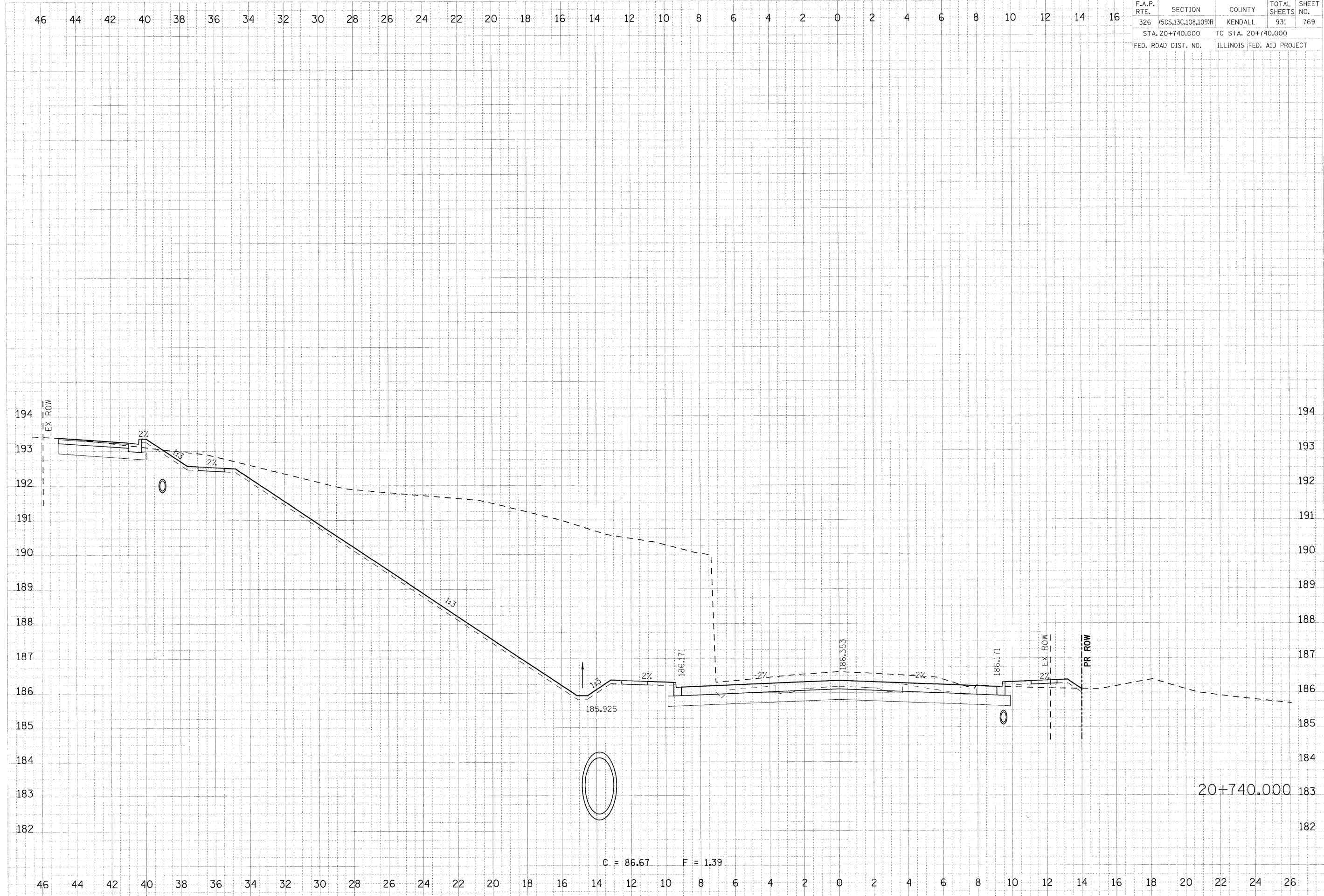
C = 97.86 F = 0.23

F.A.P. RTE.	SECTION	COUNTY	TOTAL SHEETS	SHEET NO.
326	(SCS,13C,108,109)R	KENDALL	931	769
STA. 20+740.000 TO STA. 20+740.000				
FED. ROAD DIST. NO.		ILLINOIS FED. AID PROJECT		

DATE	
BY	
PROJECT	
SURVEY	
TEMPERATURE	
WIND DIRECTION	
WIND VELOCITY	
REMARKS	

DATE	
BY	
PROJECT	
SURVEY	
TEMPERATURE	
WIND DIRECTION	
WIND VELOCITY	
REMARKS	

PLOT DATE = 07/26/2011
 PLOT SCALE = 0.1000 MM
 USER NAME = USERDESCR

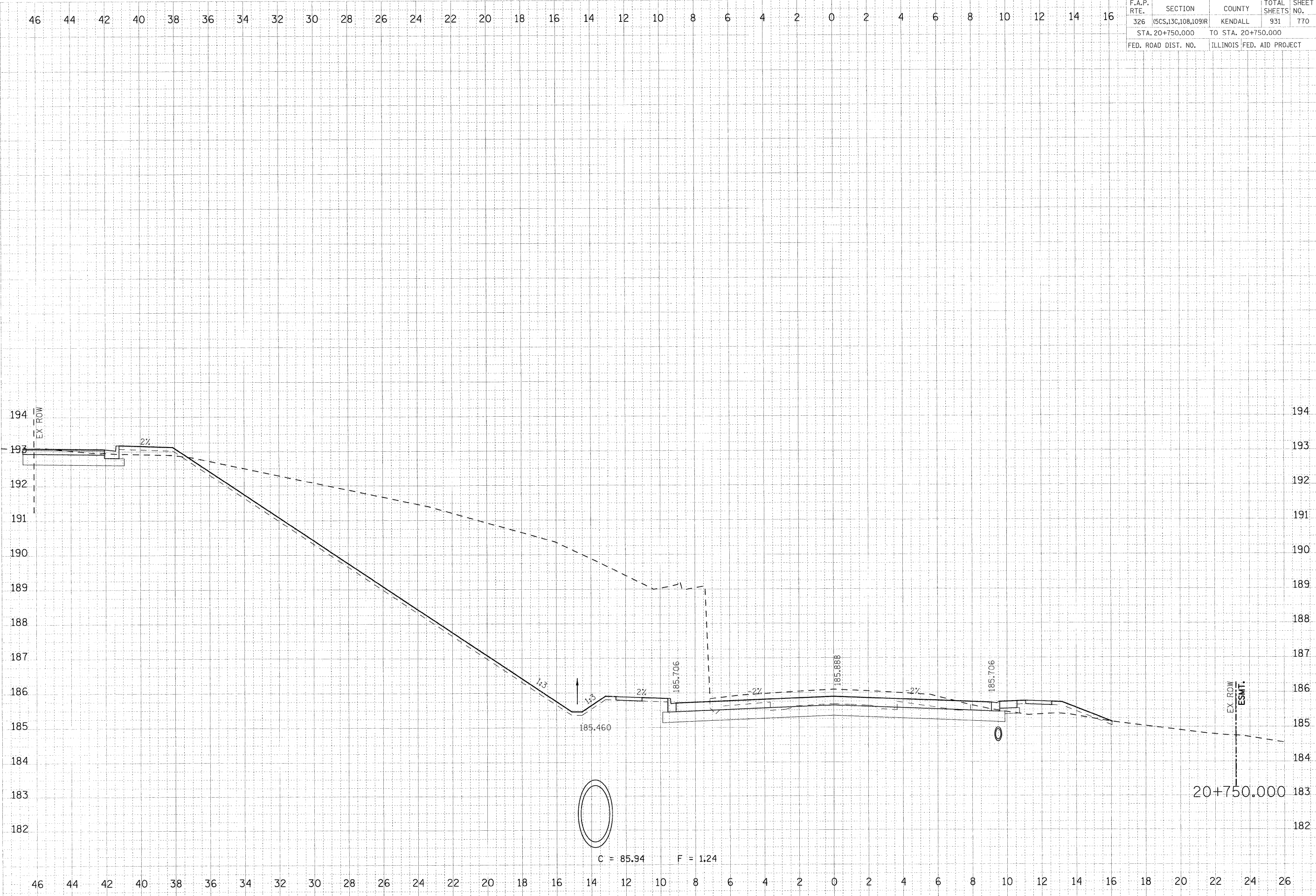


F.A.P. RTE.	SECTION	COUNTY	TOTAL SHEETS	SHEET NO.
326	(5CS,13C,108,109)R	KENDALL	931	770
STA. 20+750.000		TO STA. 20+750.000		
FED. ROAD DIST. NO.		ILLINOIS FED. AID PROJECT		

FINAL SURVEY
 SURVEYED BY
 PLOTTED BY
 CHECKED BY
 DATE

SECTIONAL SURVEY
 SURVEYED BY
 PLOTTED BY
 CHECKED BY
 DATE

PLOT DATE = 07/26/2011
 FILE NAME = 693782XS.shf_47.dgn
 PLOT SCALE = 0.1000 m / MM.
 USER NAME = JSR/RESORL

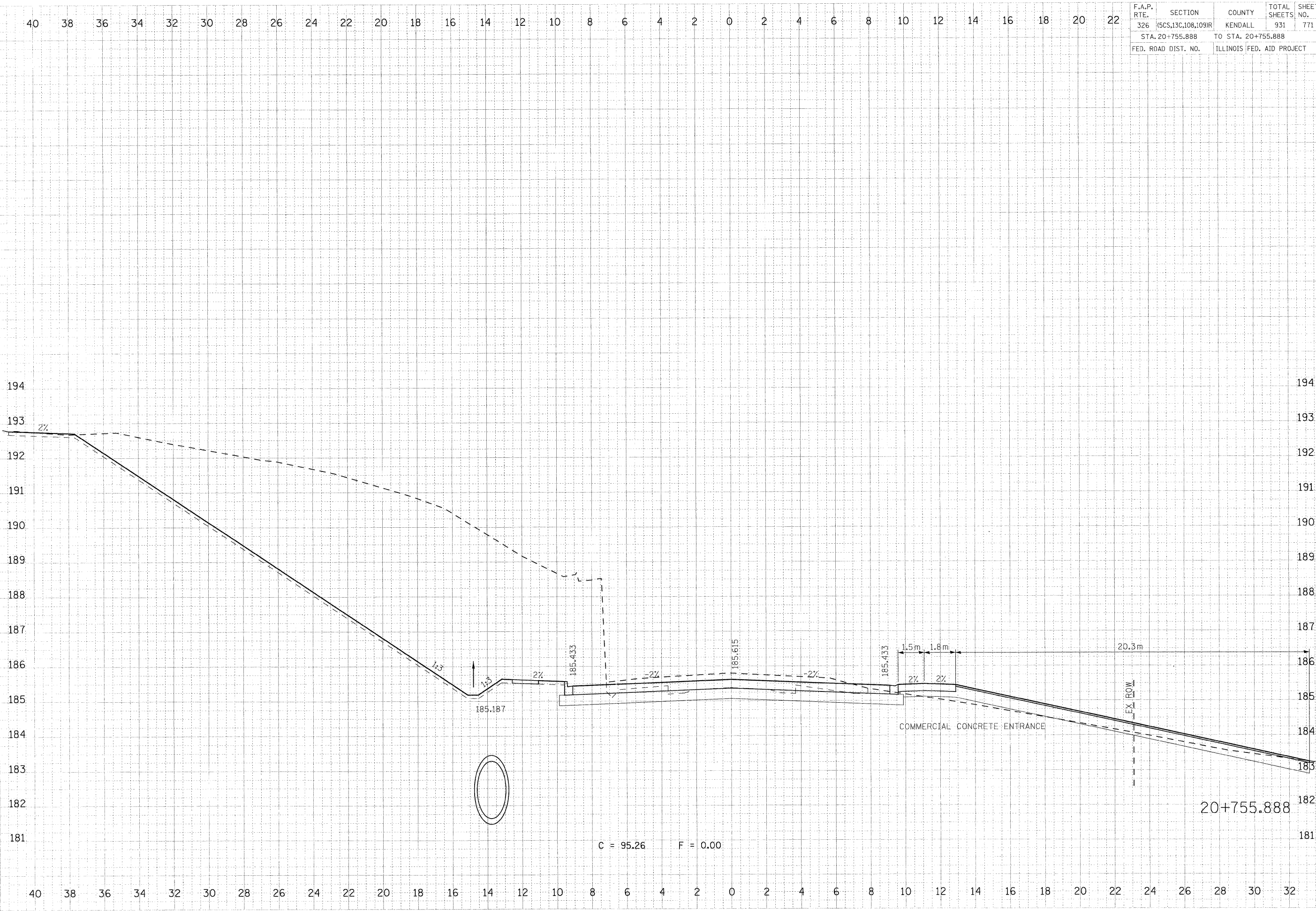


F.A.P. RTE.	SECTION	COUNTY	TOTAL SHEETS	SHEET NO.
326	(SCS,13C,108,109)R	KENDALL	931	771
STA. 20+755.888		TO STA. 20+755.888		
FED. ROAD DIST. NO.		ILLINOIS FED. AID PROJECT		

DATE	BY	REVISION

DATE	BY	REVISION

PLOT DATE = 07/26/2001
 FILE NAME = 20+755.888.dgn
 PLOT SCALE = 8.0000 MM.
 USER NAME = USERDESCR_

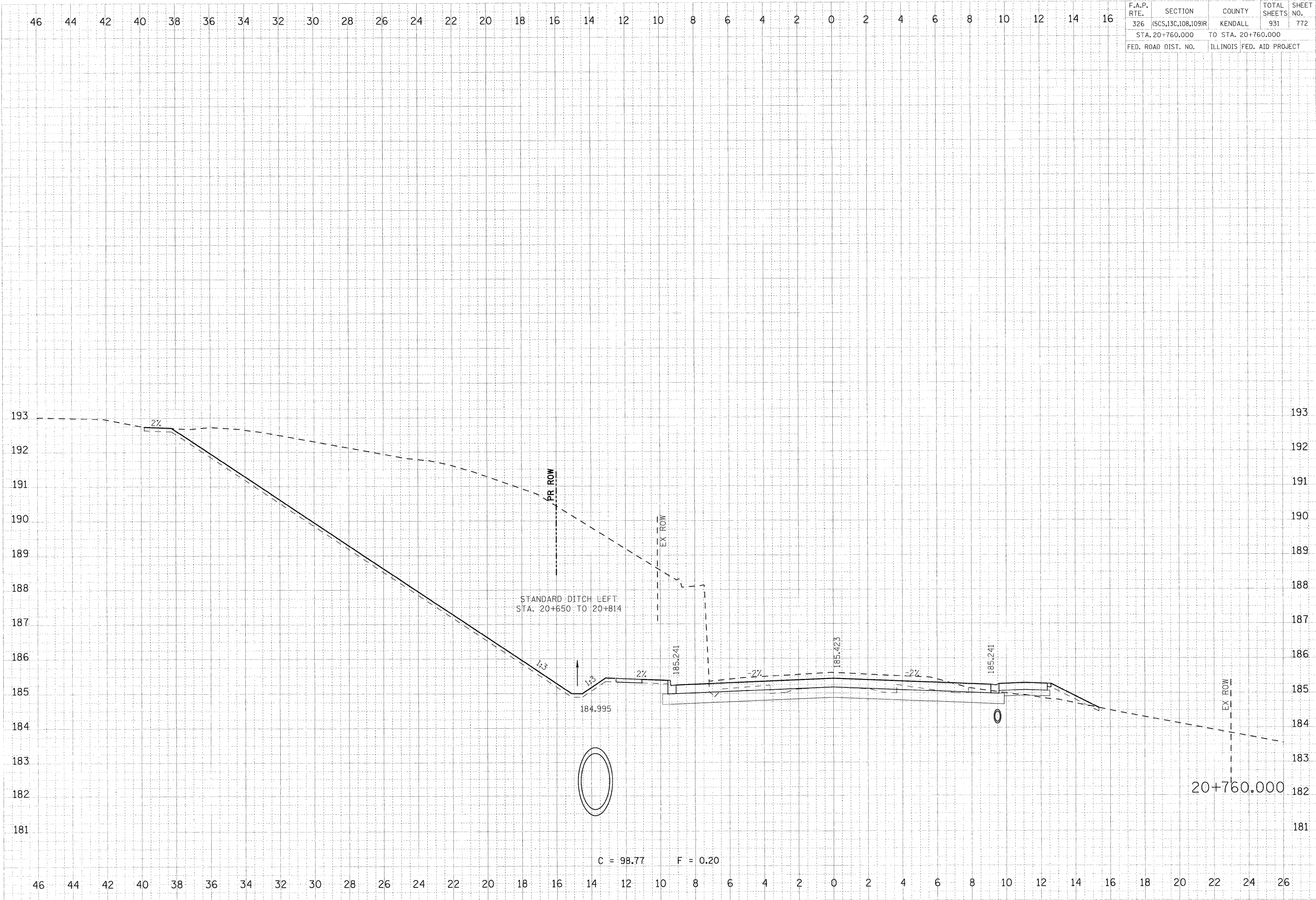


F.A.P. RTE. 326	SECTION (5CS,13C,108,109)R	COUNTY KENDALL	TOTAL SHEETS 931	SHEET NO. 772
STA. 20+760.000		TO STA. 20+760.000		
FED. ROAD DIST. NO.		ILLINOIS FED. AID PROJECT		

DATE	
BY	
CHECKED	
DESIGNED	
PLANNED	
NOTED	
APPROVED	
DATE	

DATE	
BY	
CHECKED	
DESIGNED	
PLANNED	
NOTED	
APPROVED	
DATE	

PLOT DATE = 07/26/2011
 PLOT SCALE = 8.1000"
 USER NAME = USERDESCR

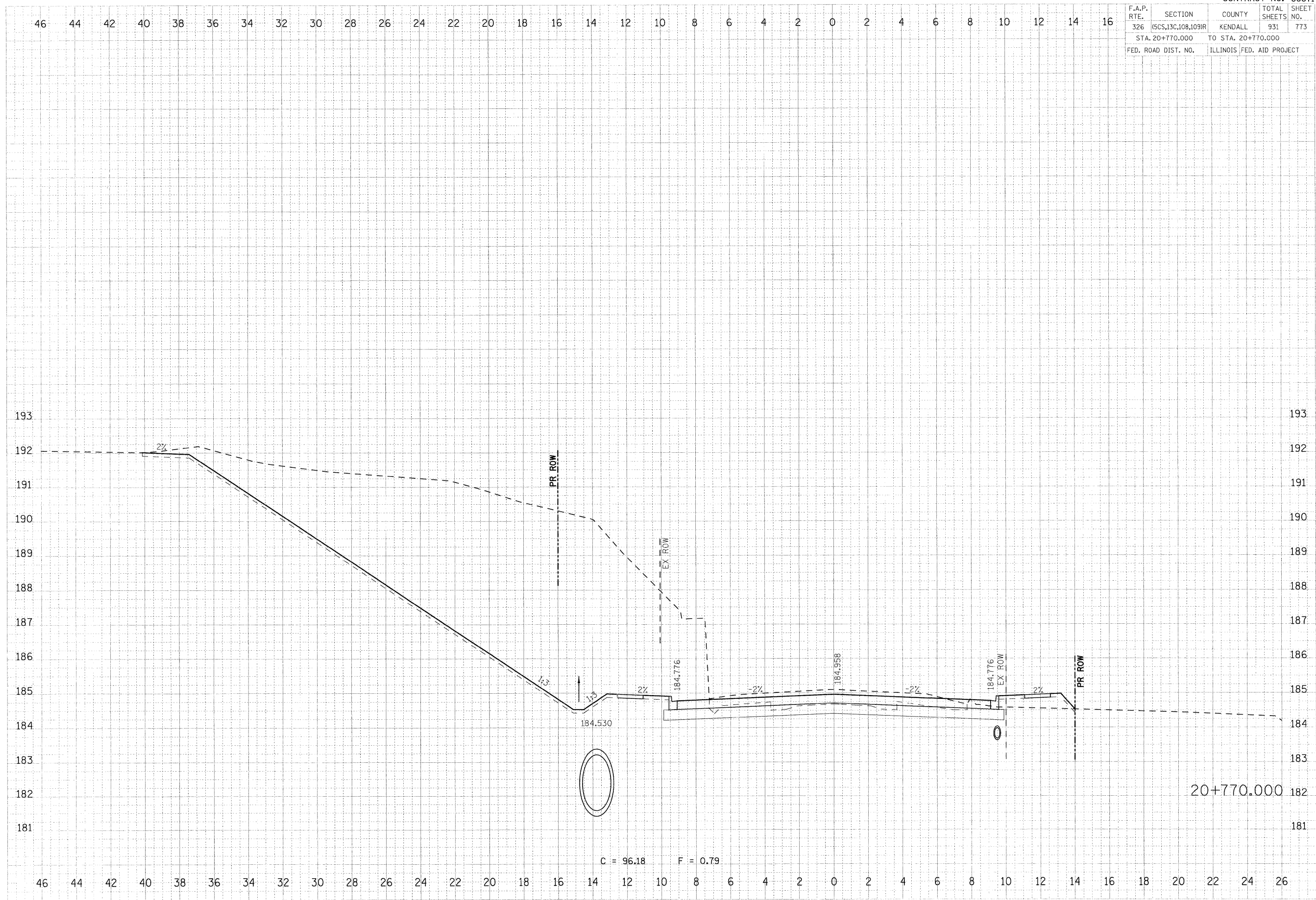


F.A.P. RTE.	SECTION	COUNTY	TOTAL SHEETS	SHEET NO.
326	(SCS,13C,108,109)R	KENDALL	931	773
STA. 20+770.000		TO STA. 20+770.000		
FED. ROAD DIST. NO.		ILLINOIS FED. AID PROJECT		

FINAL
 SURVEY
 NOTED
 AREAS
 CHECKED

ORIGINAL
 SURVEY
 NOTED
 AREAS
 CHECKED

PLOT DATE = 07/26/2011
 FILE NAME = 6301232011.dwg
 PLOT SCALE = 0.1000 MM
 USER NAME = USERESCL



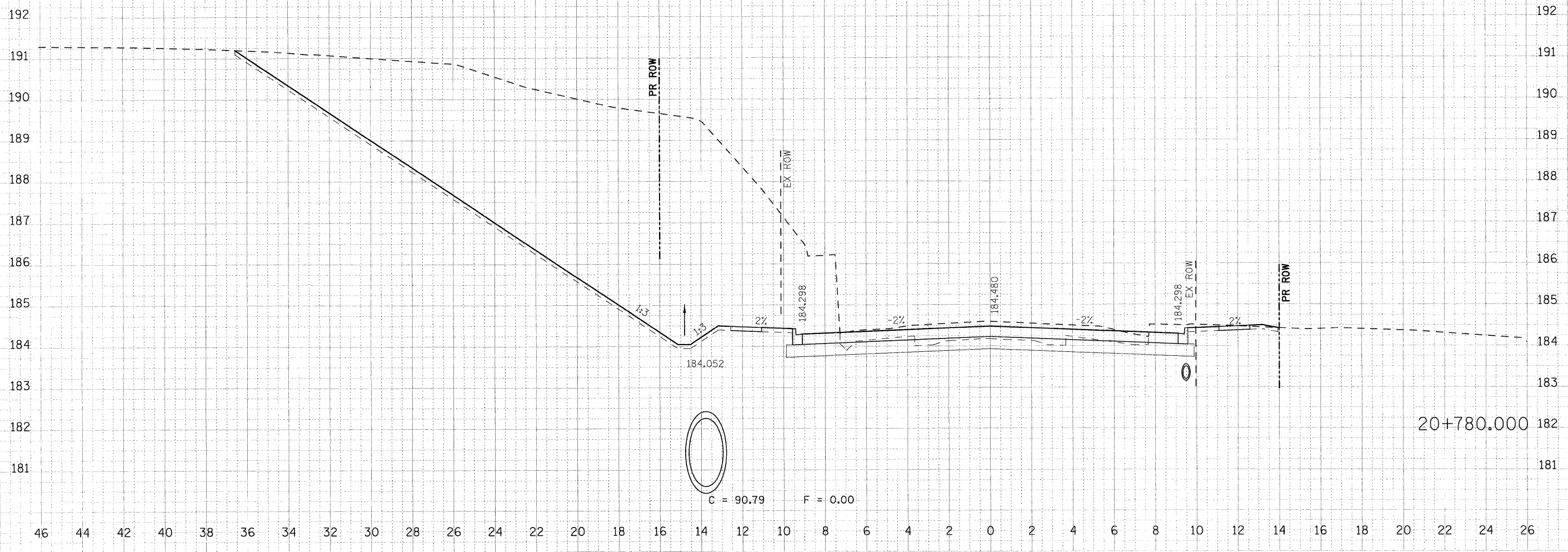
F.A.P. RTE.	SECTION	COUNTY	TOTAL SHEETS	SHEET NO.
326	5CS,13C,108,109R	KENDALL	931	774
STA. 20+780.000		TO STA. 20+780.000		
FED. ROAD DIST. NO.		ILLINOIS FED. AID PROJECT		

46 44 42 40 38 36 34 32 30 28 26 24 22 20 18 16 14 12 10 8 6 4 2 0 2 4 6 8 10 12 14 16

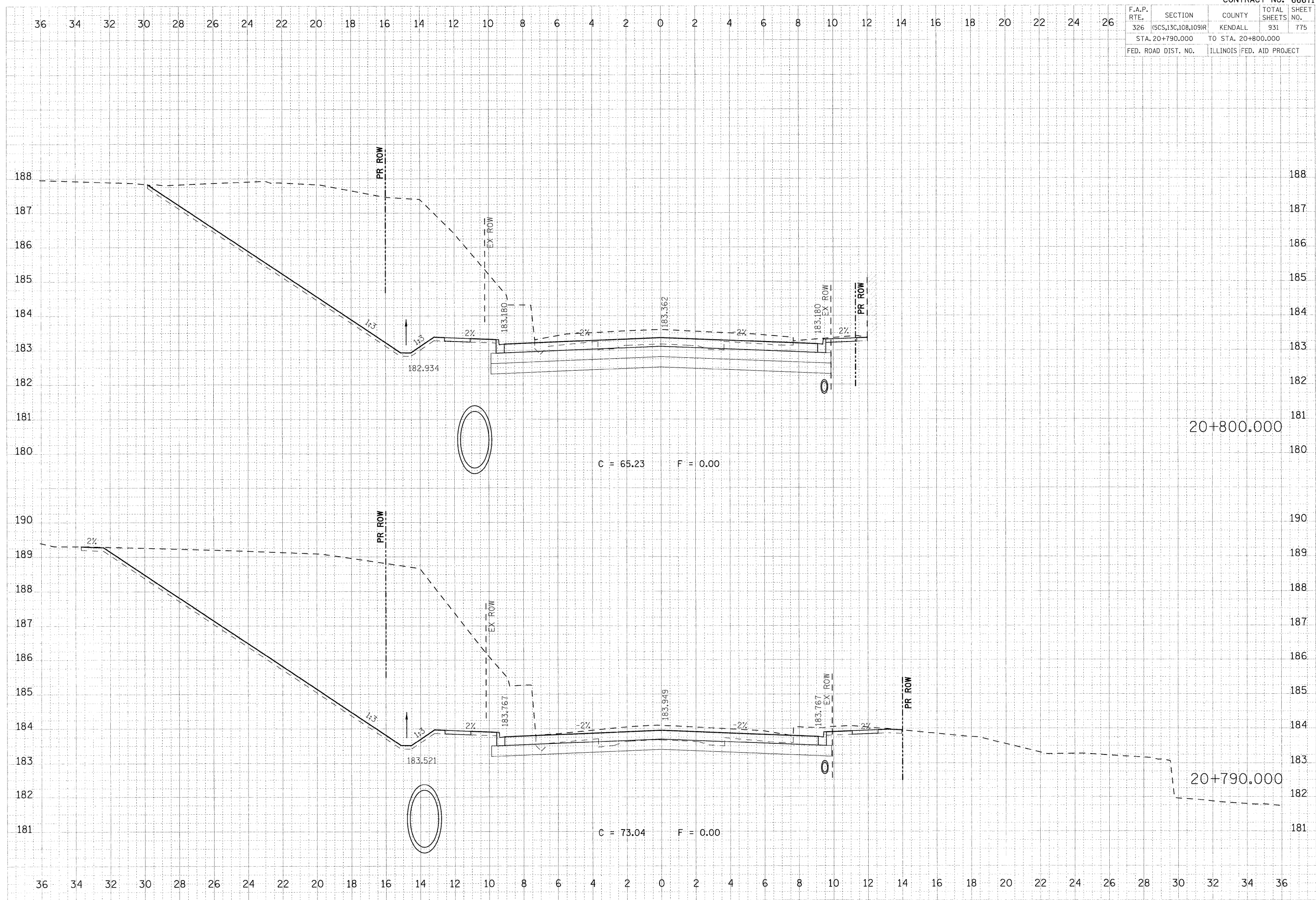
DATE: _____
 DRAWN BY: _____
 CHECKED BY: _____
 SURVEY: _____
 NOTE BOOK: _____
 AREA: _____
 AREA DESCRIBED: _____

DATE: _____
 SURVEY: _____
 NOTE BOOK: _____
 AREA: _____
 AREA DESCRIBED: _____

PLOT DATE = 07/26/2011
 PLOT NAME = 20+780.000.dgn
 PLOT SCALE = 8.0000 MM.
 USER NAME = JUSERDESCR



F.A.P. RTE.	SECTION	COUNTY	TOTAL SHEETS	SHEET NO.
326	(SCS,13C,108,109)R	KENDALL	931	775
STA. 20+790.000		TO STA. 20+800.000		
FED. ROAD DIST. NO.		ILLINOIS FED. AID PROJECT		

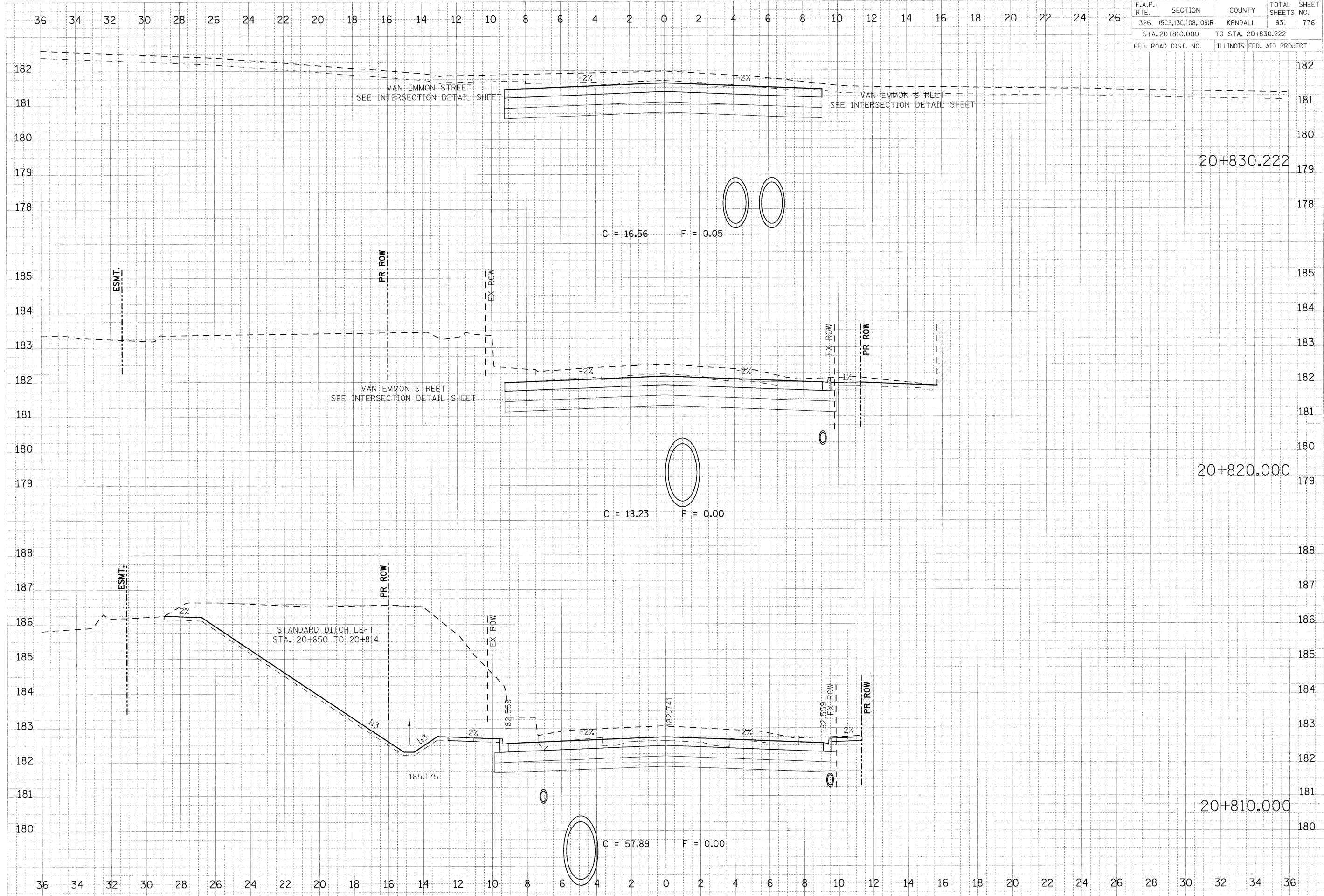


FINAL	DATE
SUPPLY	
REVISION	
NO.	

ORIGINAL	DATE
SUPPLY	
REVISION	
NO.	

PLOT DATE = 07/26/2011
 FILE NAME = 603-7925.dwg
 PLOT SCALE = 0.1000 / MM.
 USER NAME = USERDESCR

F.A.P. RTE.	SECTION	COUNTY	TOTAL SHEETS	SHEET NO.
326	(SCS,13C,108,109)R	KENDALL	931	776
STA. 20+810.000		TO STA. 20+830.222		
FED. ROAD DIST. NO.		ILLINOIS FED. AID PROJECT		



FINAL	DATE

ORIGINAL	DATE

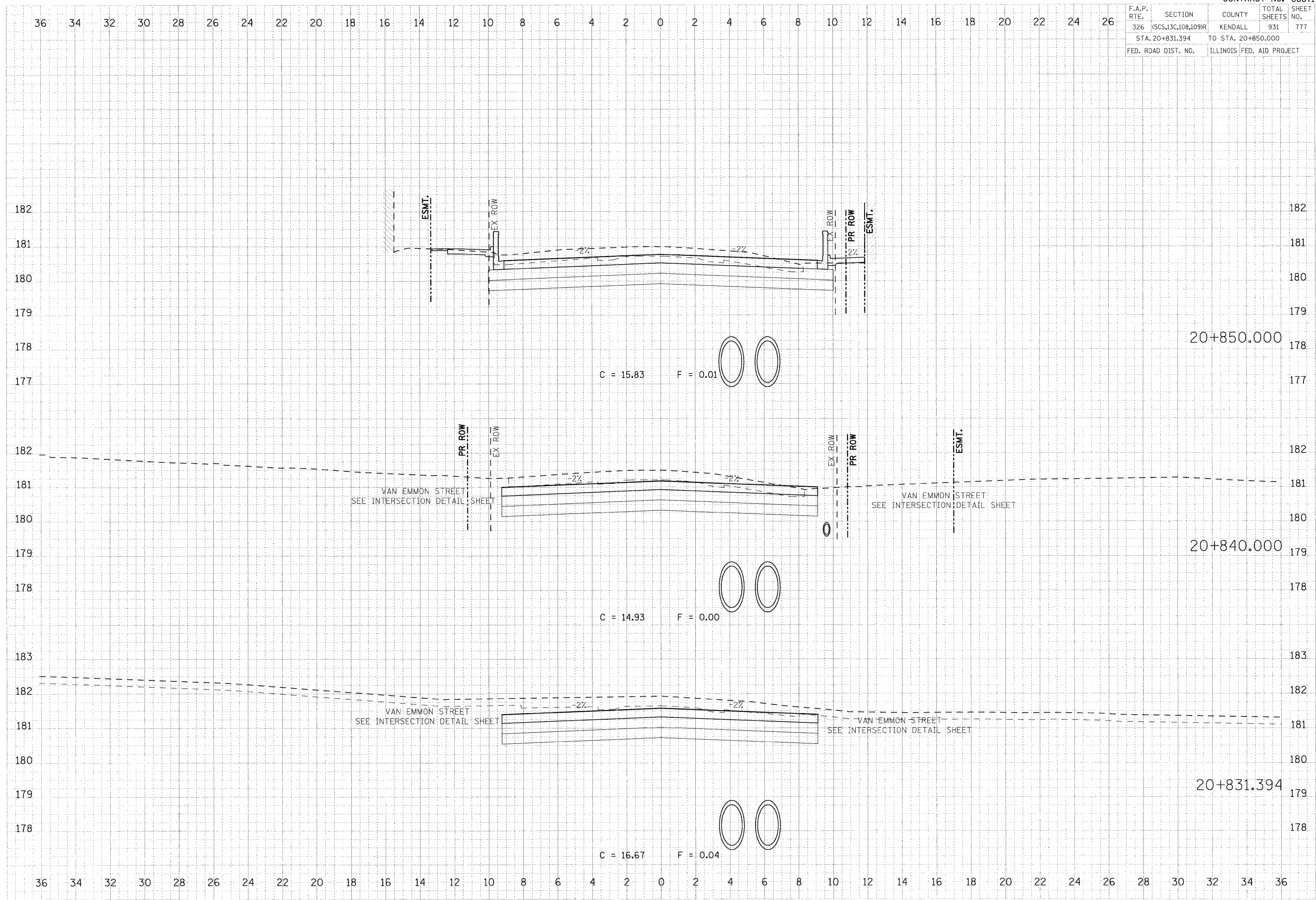
PLOT DATE = 07/26/2011
 FILE NAME = 022225.dwg
 PLOT SCALE = 0.1000 MM
 USER NAME = USERDESCR_

F.A.P. RTE.	SECTION	COUNTY	TOTAL SHEETS	SHEET NO.
326	(SCS,13C,108,109)R	KENDALL	931	777
STA. 20+831.394		TO STA. 20+850.000		
FED. ROAD DIST. NO.		ILLINOIS FED. AID PROJECT		

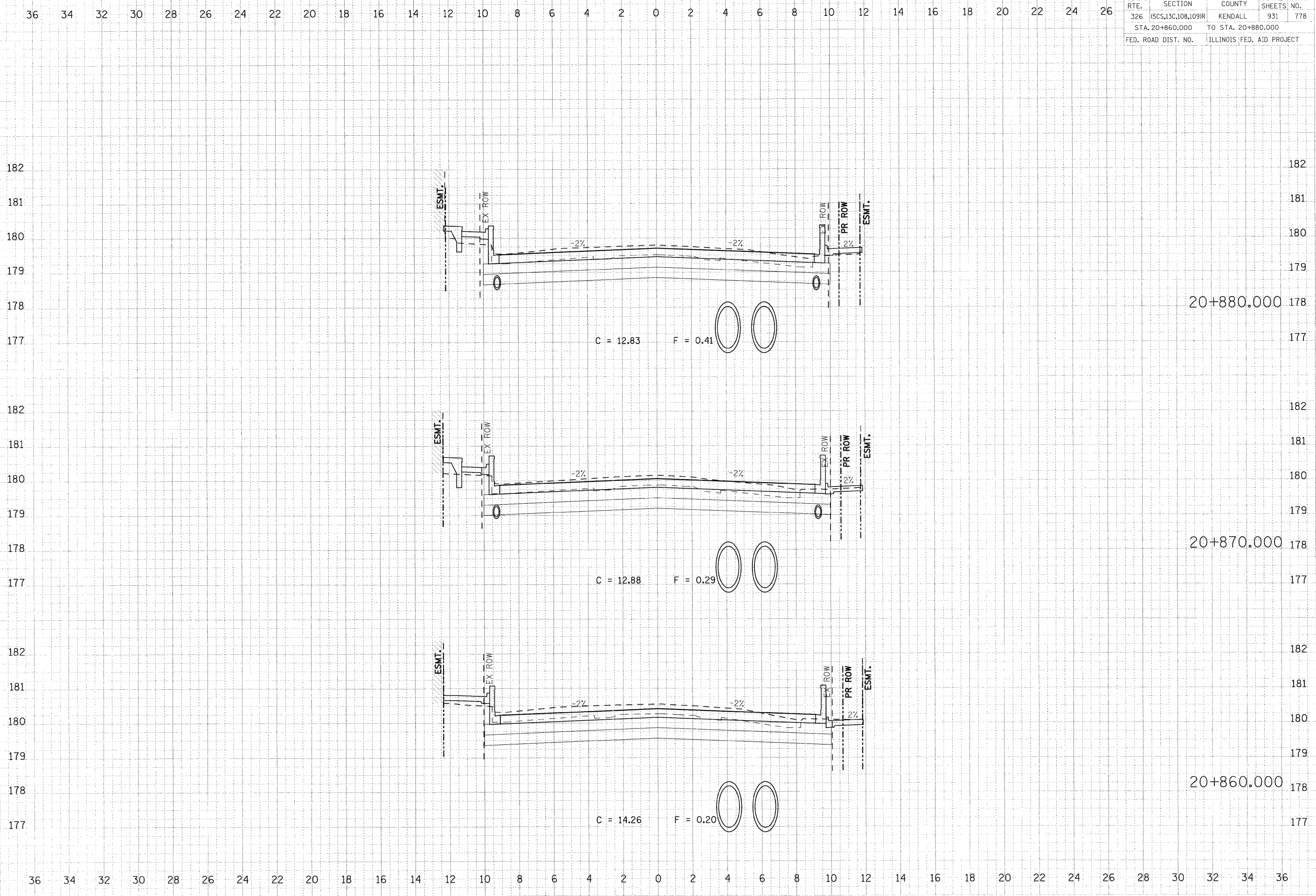
DATE	BY

DATE	BY

PLOT DATE = 07/26/2011
 FILE NAME = 693-782XS.shtf.47.dgn
 PLOT SCALE = 0.1000 m / MM.
 USER NAME = JUSERESCH



F.A.P. RTE.	SECTION	COUNTY	TOTAL SHEETS	SHEET NO.
326	(SCS,13C,108,109)R	KENDALL	931	778
STA. 20+860.000		TO STA. 20+880.000		
FED. ROAD DIST. NO.		ILLINOIS FED. AID PROJECT		



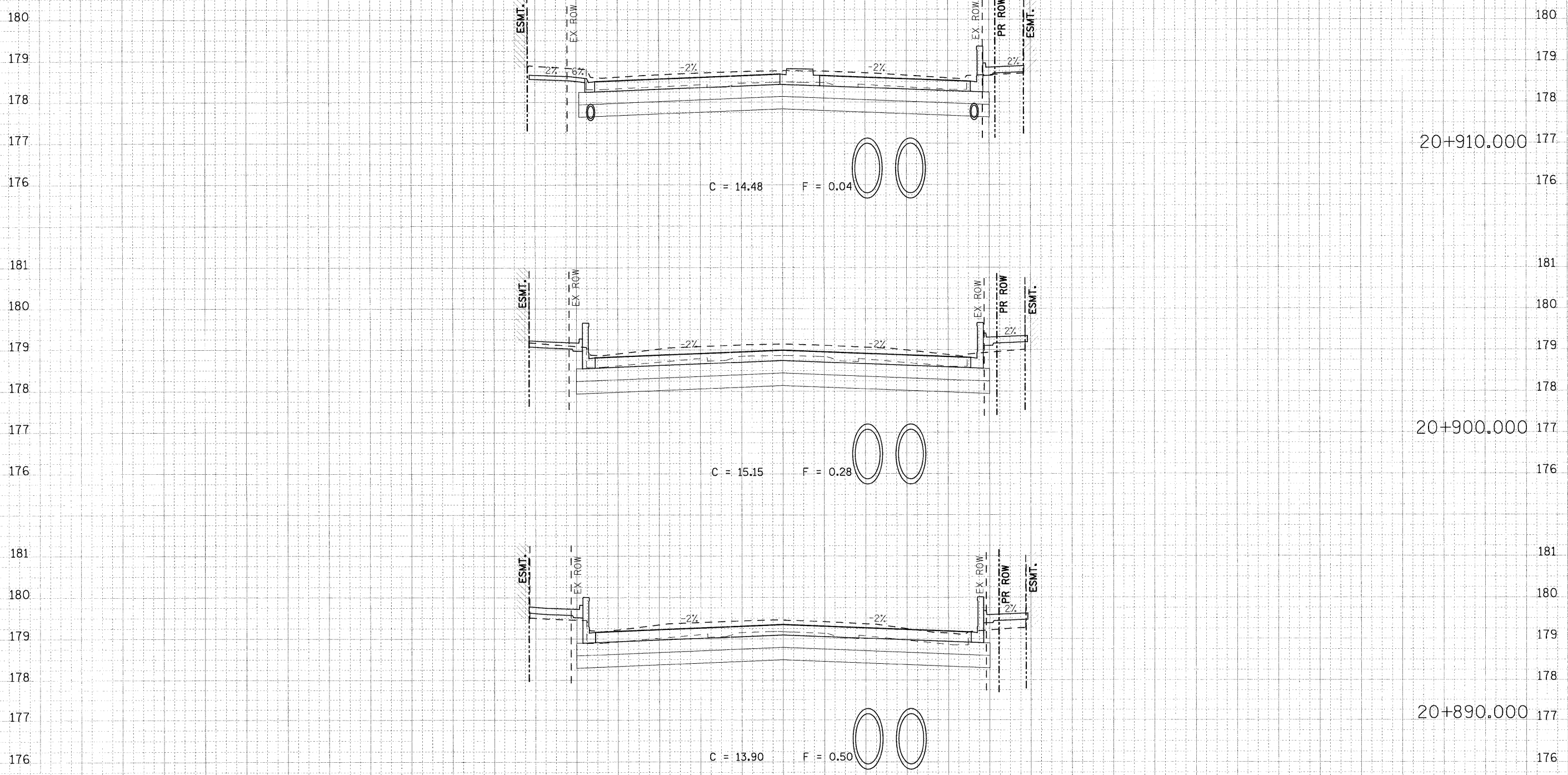
DATE	BY

DATE	BY

PLOT DATE = 07/26/2011
PLOT SCALE = 0.10000 MM.
USER NAME = JUSPRODESCR

F.A.P. RTE.	SECTION	COUNTY	TOTAL SHEETS	SHEET NO.
326	(5CS,13C,108,109)R	KENDALL	931	779
STA. 20+890.000		TO STA. 20+910.000		
FED. ROAD DIST. NO.		ILLINOIS FED. AID PROJECT		

36 34 32 30 28 26 24 22 20 18 16 14 12 10 8 6 4 2 0 2 4 6 8 10 12 14 16 18 20 22 24 26



180 179 178 177 176 181 180 179 178 177 176 181 180 179 178 177 176 181 180 179 178 177 176 181 180 179 178 177 176

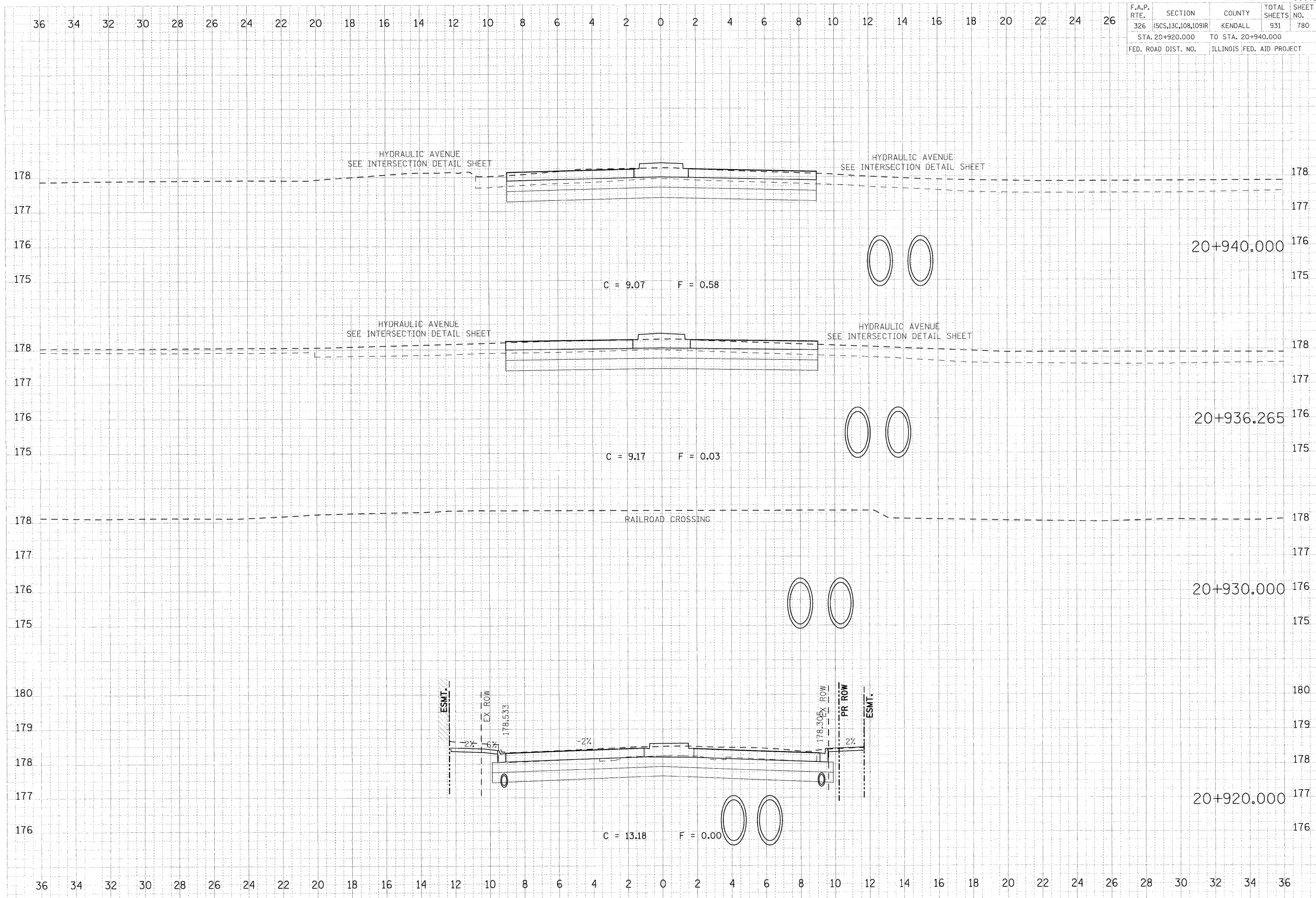
36 34 32 30 28 26 24 22 20 18 16 14 12 10 8 6 4 2 0 2 4 6 8 10 12 14 16 18 20 22 24 26 28 30 32 34 36

FINAL	DATE
DESIGNED	
CHECKED	
IN CHARGE	
DATE	

ORIGINAL	DATE
REVISED	
REVISION	
DATE	

PLOT DATE = 07/26/2011
 FILE NAME = 633-762XS.dwg
 PLOT SCALE = 0.1000 m/mm
 USER NAME = JUSERDESCR

F.A.P. RTE.	SECTION	COUNTY	TOTAL SHEETS	SHEET NO.
326	(5CS,13C,108,109)R	KENDALL	931	780
STA. 20+920.000		TO STA. 20+940.000		
FED. ROAD DIST. NO.		ILLINOIS FED. AID PROJECT		

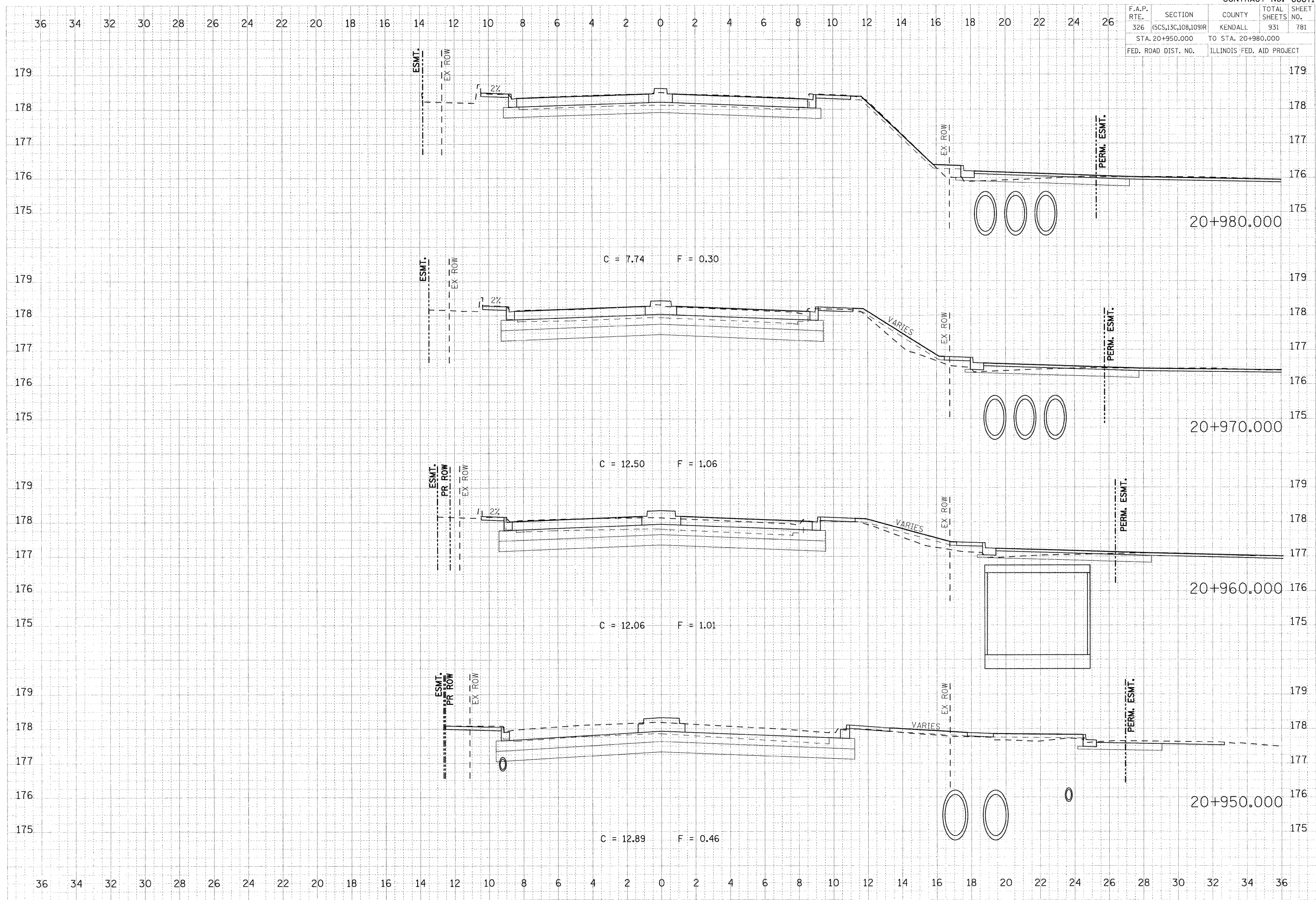


FINAL	DATE
SURVEYED	
PLOTTED	
TEMPLATE	
AREAS	
PROG. CHECKED	

ORIGINAL	DATE
SURVEY	
NOTE BOOK	
AREAS	
PROG. CHECKED	

PLOT DATE = 07/26/2011
 FILE NAME = 699782XS.dwg
 PLOT SCALE = 0.1000 in / MM
 USER NAME = USERESCL

F.A.P. RTE.	SECTION	COUNTY	TOTAL SHEETS	SHEET NO.
326	(SCS,13C,108,109)R	KENDALL	931	781
STA. 20+950.000		TO STA. 20+980.000		
FED. ROAD DIST. NO.		ILLINOIS FED. AID PROJECT		



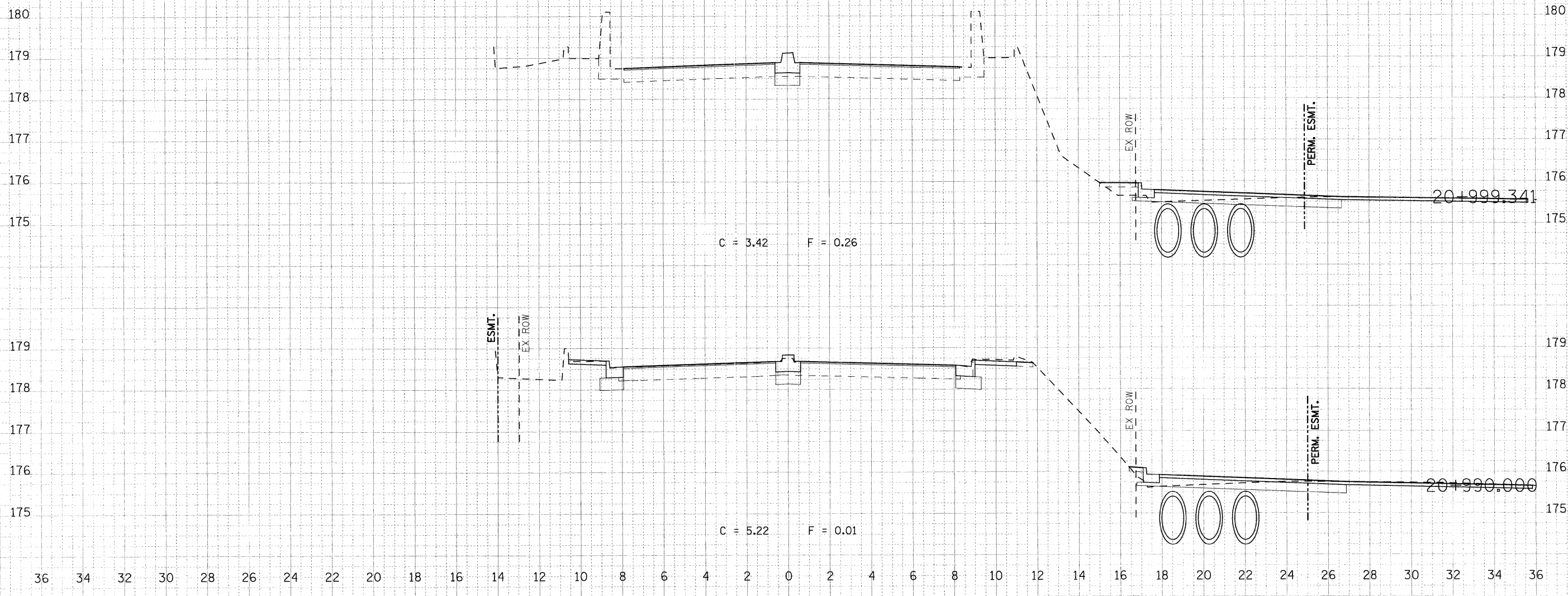
FINAL SURVEY	DATE
NO. 1	

ORIGINAL SURVEY	DATE
NO. 1	

PLOT DATE = 07/26/2011
 FILE NAME = 69372265.dwg
 PLOT SCALE = 0.1000 / MM
 USER NAME = USERDESCR

F.A.P. RTE.	SECTION	COUNTY	TOTAL SHEETS	SHEET NO.
326	15CS,13C,108,109JR	KENDALL	931	782
STA. 20+990.000		TO STA. 20+999.341		
FED. ROAD DIST. NO.		ILLINOIS FED. AID PROJECT		

36 34 32 30 28 26 24 22 20 18 16 14 12 10 8 6 4 2 0 2 4 6 8 10 12 14 16 18 20 22 24 26



DATE	
BY	
CHECKED	
DATE	
DESIGNED	
DATE	
DRAWN	
DATE	
IN CHARGE	
DATE	

DATE	
BY	
CHECKED	
DATE	
DESIGNED	
DATE	
DRAWN	
DATE	
IN CHARGE	
DATE	

PLOT DATE = 07/26/2011
 PLOT SCALE = 0.1000
 USER NAME = USERDESCR

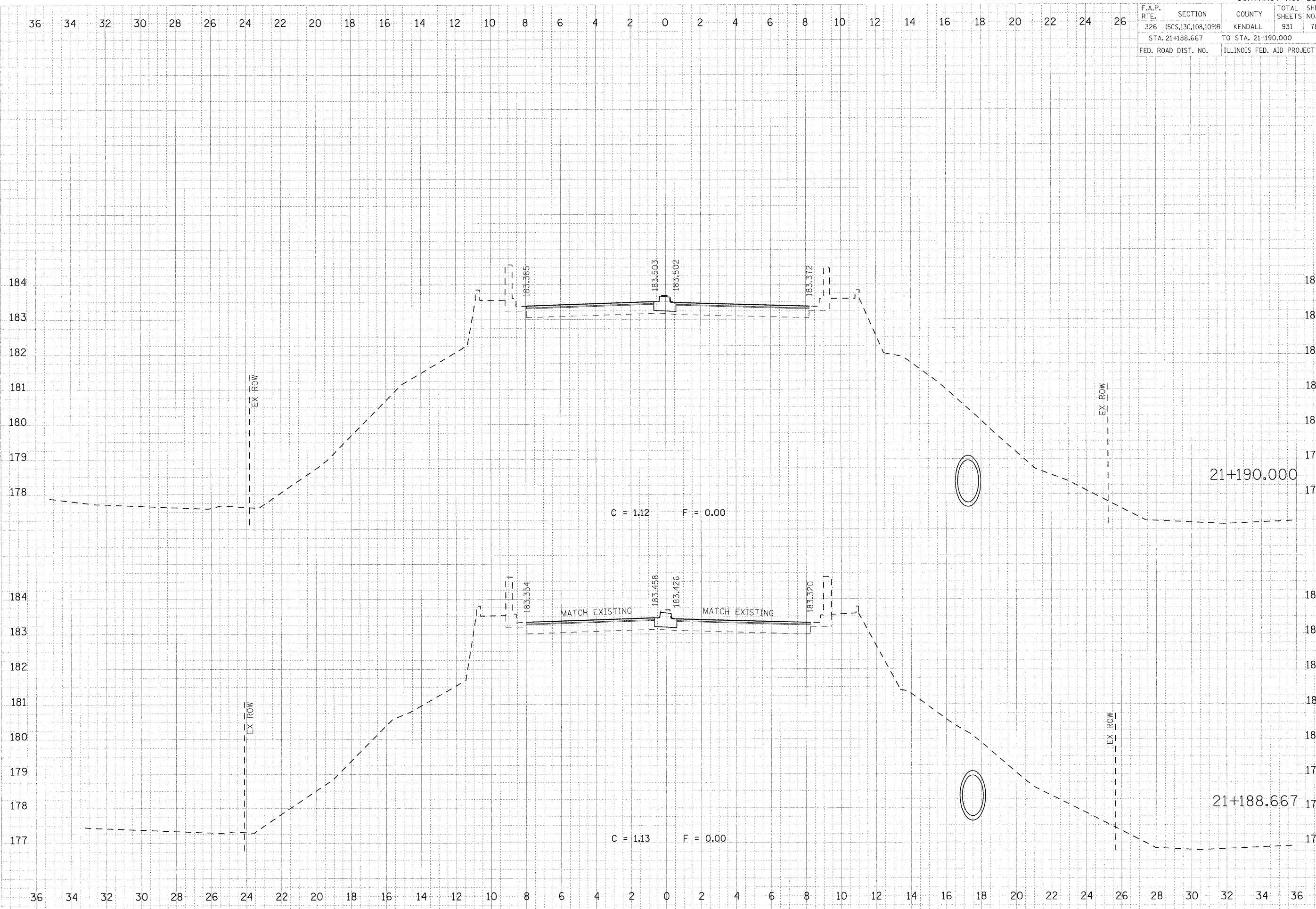
36 34 32 30 28 26 24 22 20 18 16 14 12 10 8 6 4 2 0 2 4 6 8 10 12 14 16 18 20 22 24 26 28 30 32 34 36

F.A.P. RTE.	SECTION	COUNTY	TOTAL SHEETS	SHEET NO.
326	(SCS,13C,108,109)R	KENDALL	931	783
STA. 21+188.667		TO STA. 21+190.000		
FED. ROAD DIST. NO.		ILLINOIS FED. AID PROJECT		

DATE	BY
DESIGNED	
CHECKED	
IN CHARGE	
DATE	

DATE	BY
DESIGNED	
CHECKED	
IN CHARGE	
DATE	

PLOT DATE = 07/26/2001
FILE NAME = 70301801.dwg
PLOT SCALE = 0.0000
USER NAME = JUSERESCR

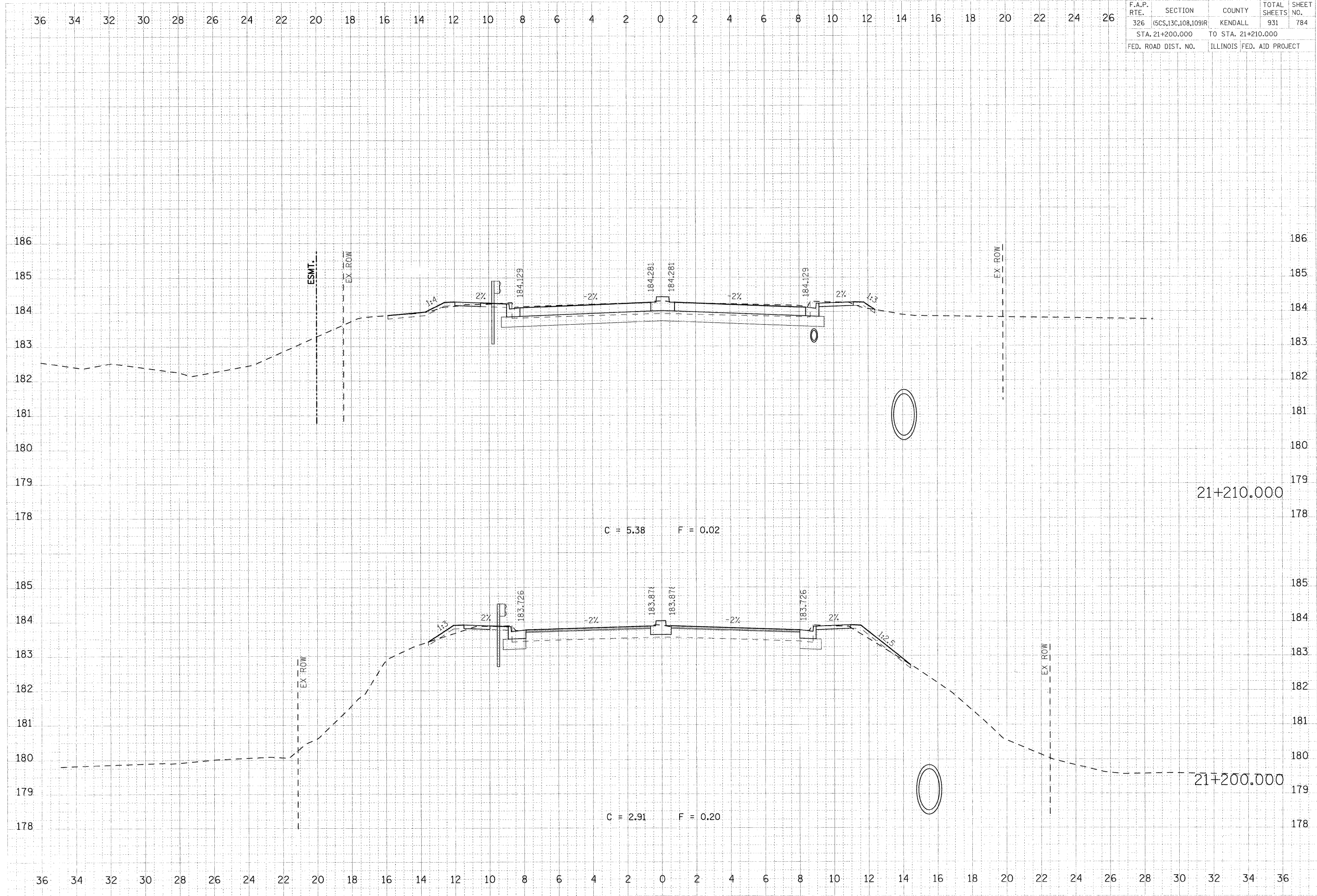


F.A.P. RTE.	SECTION	COUNTY	TOTAL SHEETS	SHEET NO.
326	(5CS,13C,108,109)R	KENDALL	931	784
STA. 21+200.000		TO STA. 21+210.000		
FED. ROAD DIST. NO.		ILLINOIS FED. AID PROJECT		

FINAL	DATE
SURVEY	BY
NOTED	BY
REVISION	BY
DATE	BY

ORIGINAL	DATE
SURVEY	BY
NOTED	BY
REVISION	BY
DATE	BY

PLOT DATE = 07/26/2011
 FILE NAME = 71213261301.dgn
 PLOT SCALE = 0.10000 MM
 USER NAME = JUSERDESCR

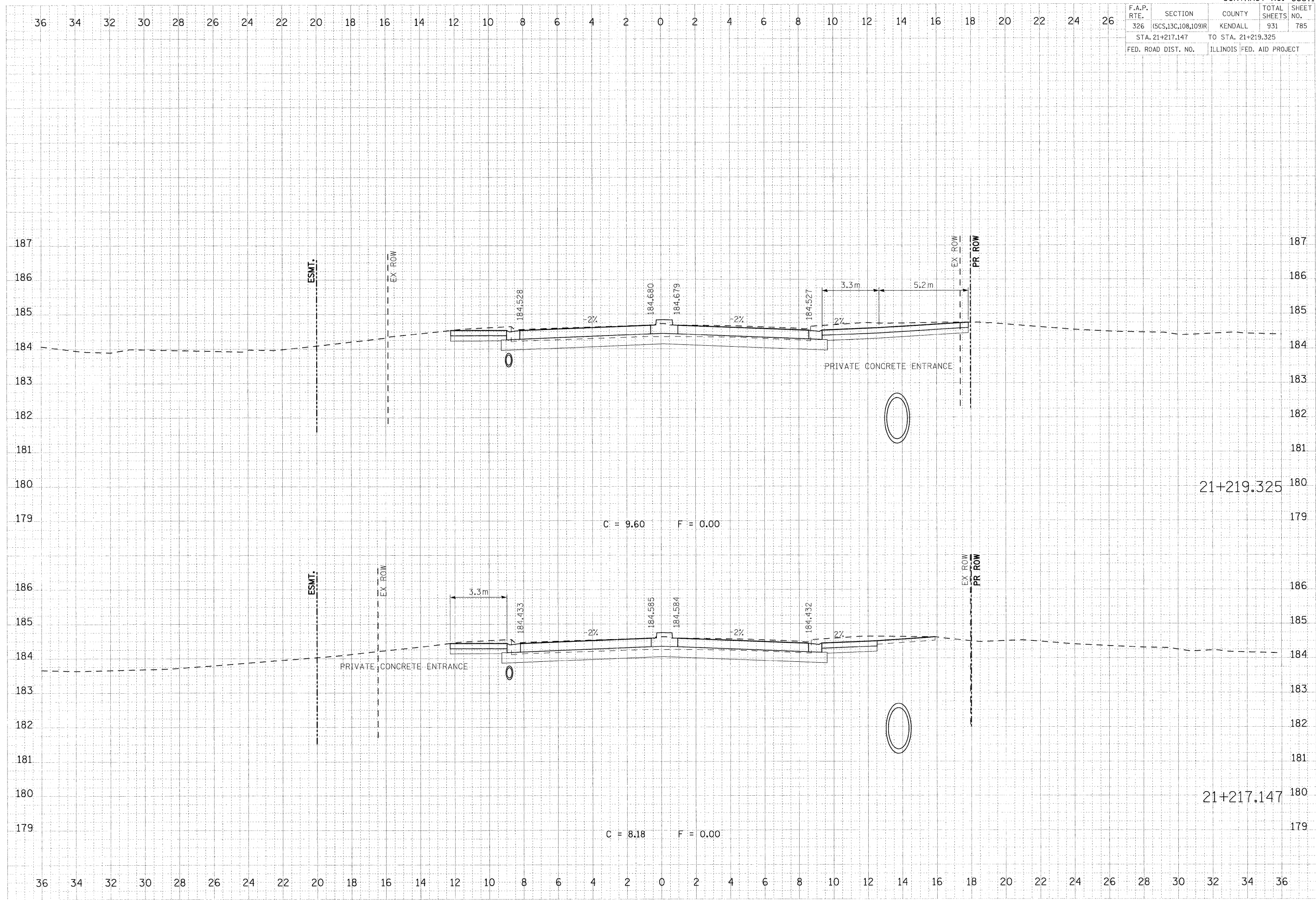


F.A.P. RTE.	SECTION	COUNTY	TOTAL SHEETS	SHEET NO.
326	(SCS,13C,108,109)R	KENDALL	931	785
STA. 21+217.147		TO STA. 21+219.325		
FED. ROAD DIST. NO.		ILLINOIS FED. AID PROJECT		

FINAL SURVEY	BY	DATE
REVISIONS		
NOTE BOOK		
AREAS		
DESCR. INCLUDED		

ORIGINAL SURVEY	BY	DATE
REVISIONS		
NOTE BOOK		
AREAS		
DESCR. INCLUDED		

PLOT DATE = 07/26/2011
 FILE NAME = 715130.dwg
 PLOT SCALE = 0.10000 MM
 USER NAME = USERDESCR

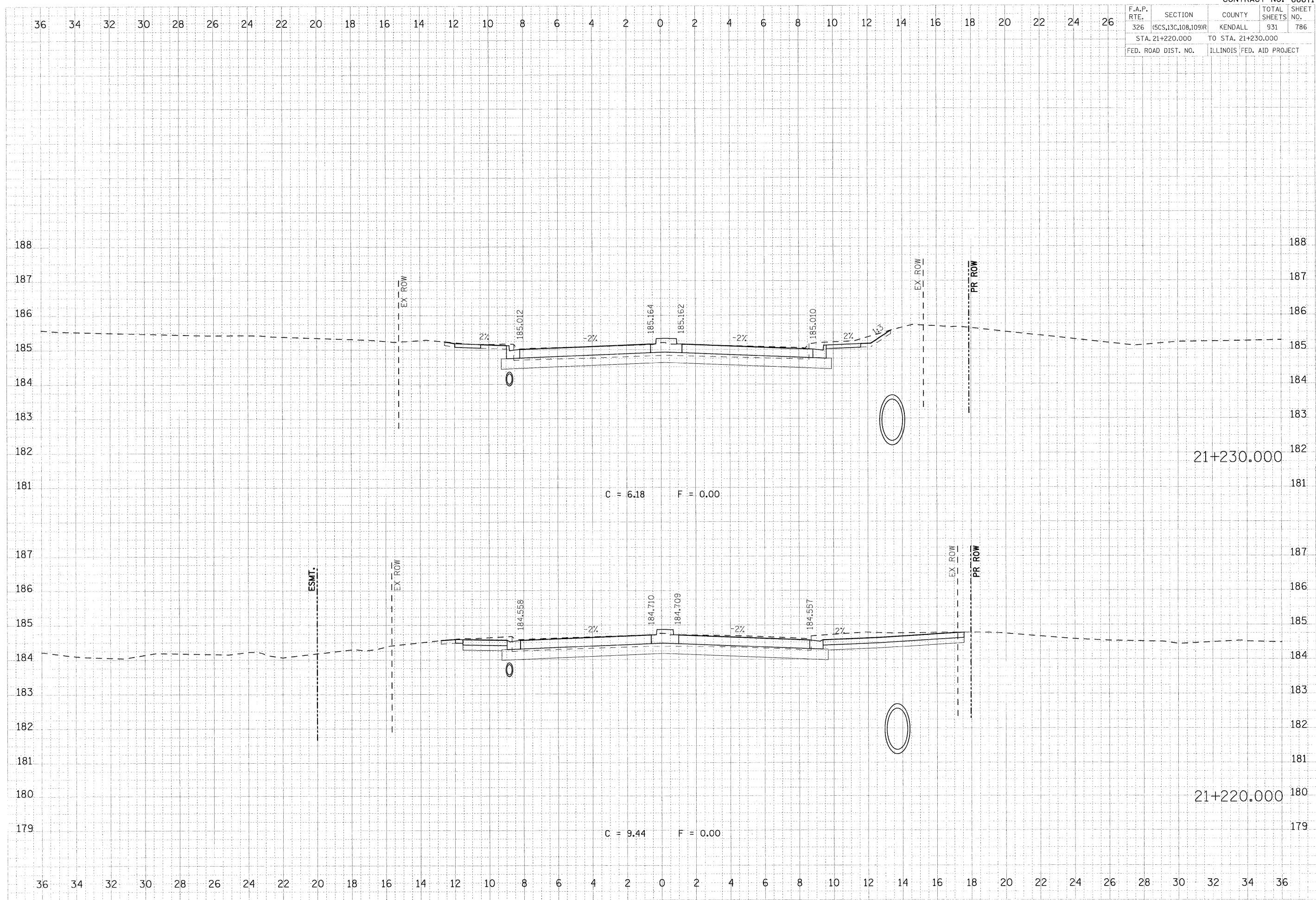


F.A.P. RTE.	SECTION	COUNTY	TOTAL SHEETS	SHEET NO.
326	(SCS,13C,108,109)R	KENDALL	931	786
STA. 21+220.000		TO STA. 21+230.000		
FED. ROAD DIST. NO.		ILLINOIS FED. AID PROJECT		

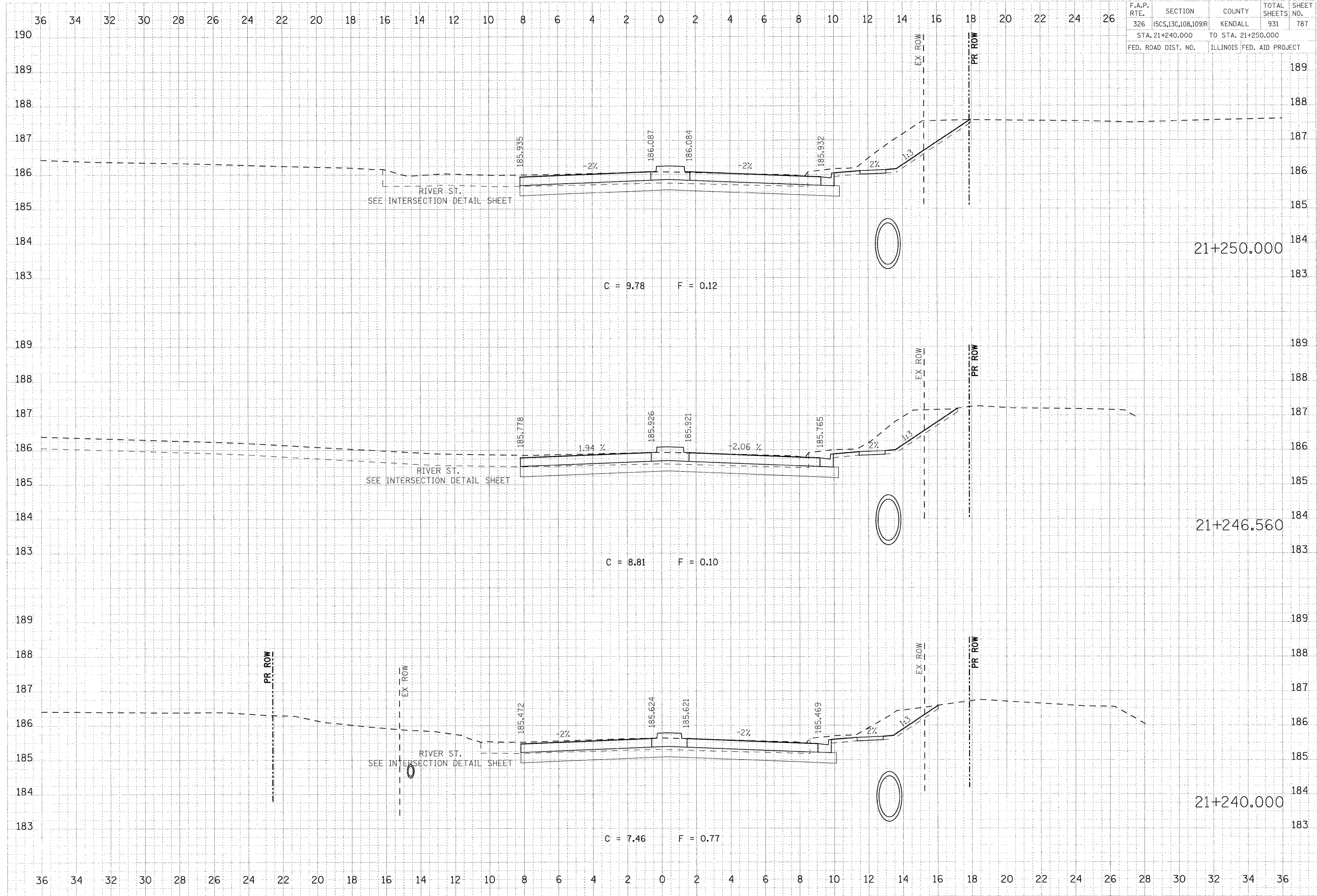
DATE	BY	REVISION

DATE	BY	REVISION

PLOT DATE = 07/26/2011
 PLOT NAME = 030000_147n.dgn
 PLOT SCALE = 0.0000 MM
 USER NAME = _USERDESCR_



F.A.P. RTE.	SECTION	COUNTY	TOTAL SHEETS	SHEET NO.
326	(5CS,13C,108,109)R	KENDALL	931	787
STA. 21+240.000		TO STA. 21+250.000		
FED. ROAD DIST. NO.		ILLINOIS FED. AID PROJECT		

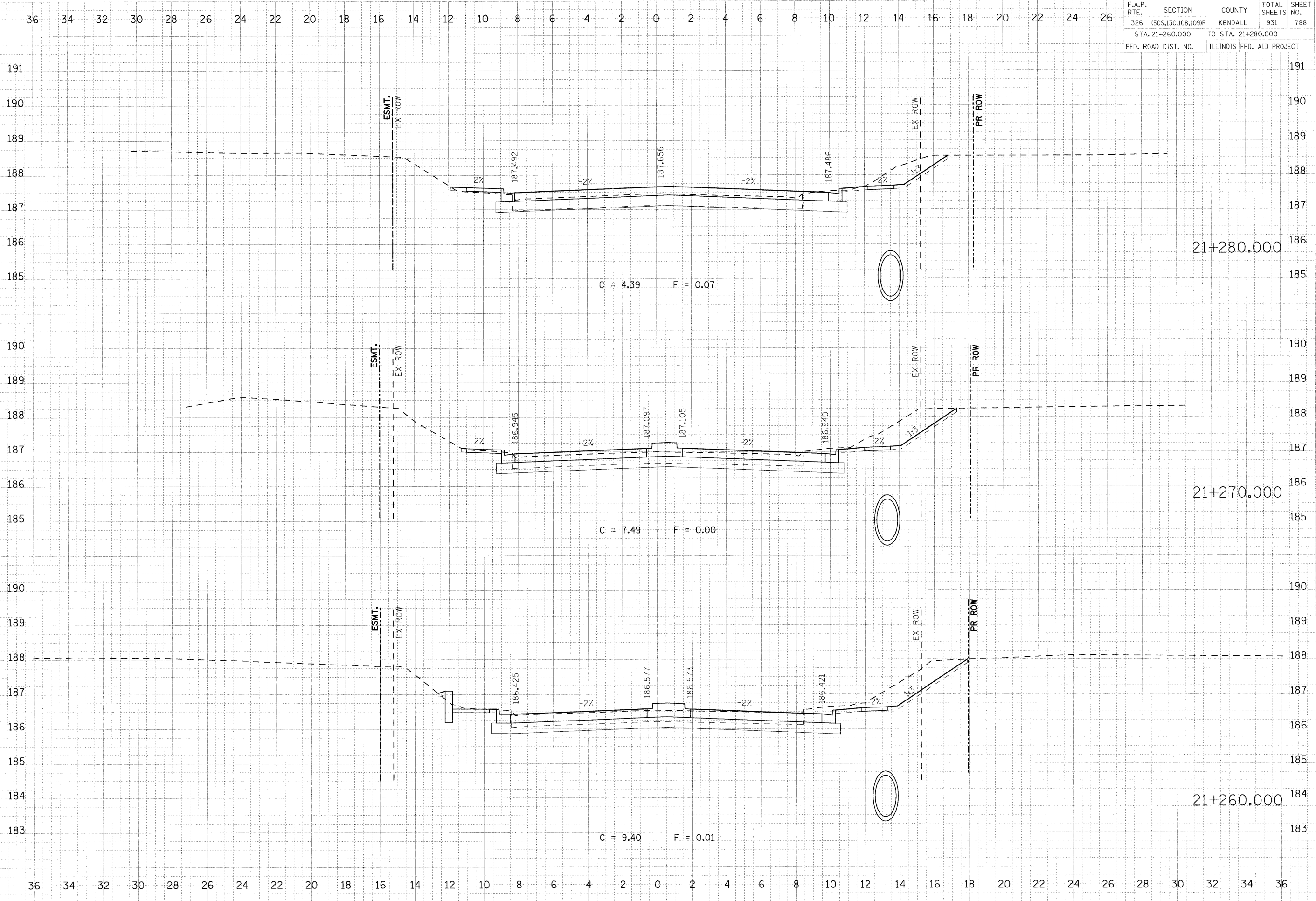


DATE	BY	REVISION

DATE	BY	REVISION

PLOT DATE = 07/26/2011
 FILE NAME = 742.872.dwg
 PLOT SCALE = 0.1000 / MM
 USER NAME = JUSERDESCR

F.A.P. RTE.	SECTION	COUNTY	TOTAL SHEETS	SHEET NO.
326	(SCS,13C,108,109)R	KENDALL	931	788
STA. 21+260.000		TO STA. 21+280.000		
FED. ROAD DIST. NO.		ILLINOIS FED. AID PROJECT		

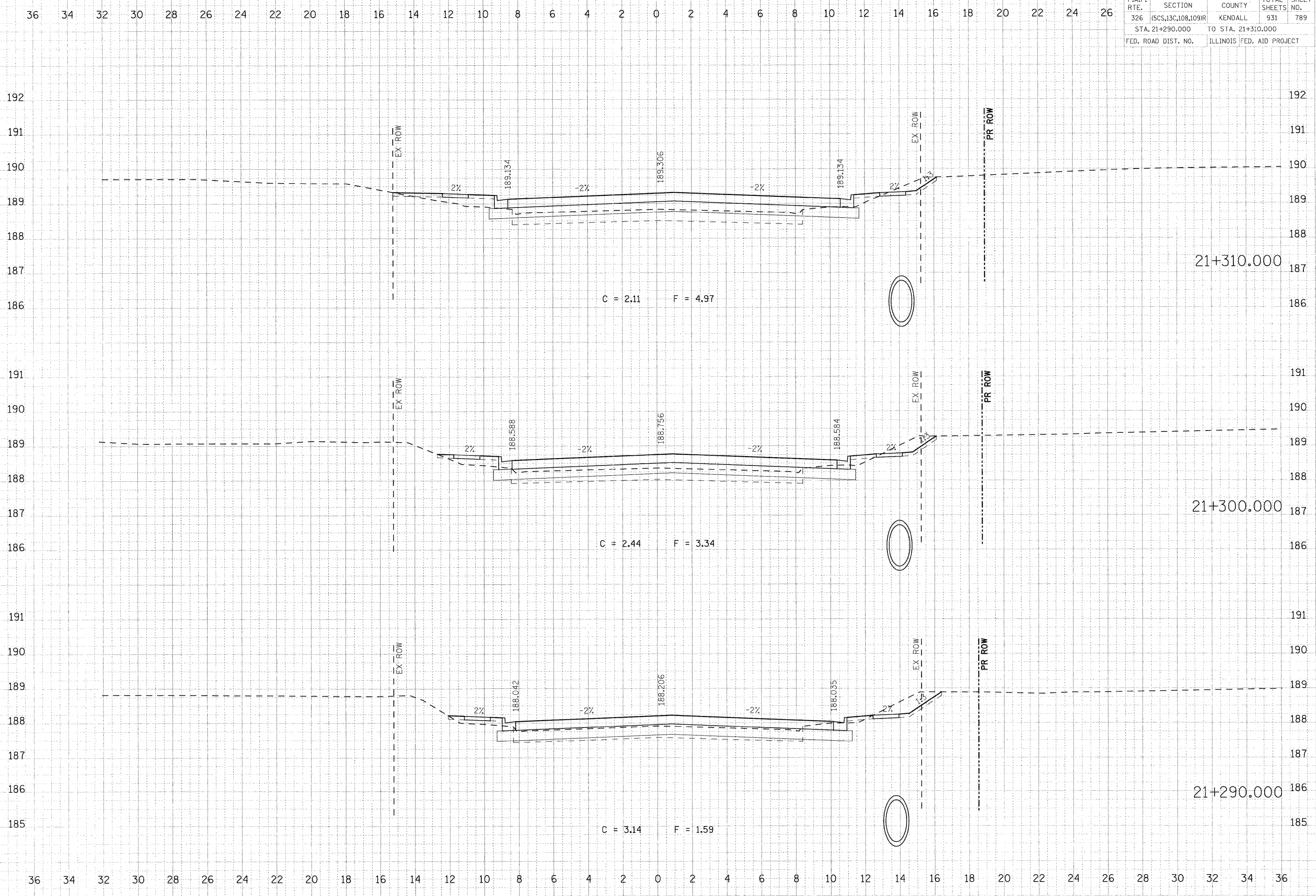


FINAL SURVEY PLOTTED TEMPLATE
 DATE: _____
 USER: _____

OPRIMAL SURVEY PLOTTED TEMPLATE
 DATE: _____
 USER: _____

PLOT DATE = 07/26/2011
 FILE NAME = 743.8786.dwg
 PLOT SCALE = 0.1000 / MM
 USER NAME = JUSERDESCR

F.A.P. RTE.	SECTION	COUNTY	TOTAL SHEETS	SHEET NO.
326	(SCS,13C,108,109)R	KENDALL	931	789
STA. 21+290.000		TO STA. 21+310.000		
FED. ROAD DIST. NO.		ILLINOIS FED. AID PROJECT		

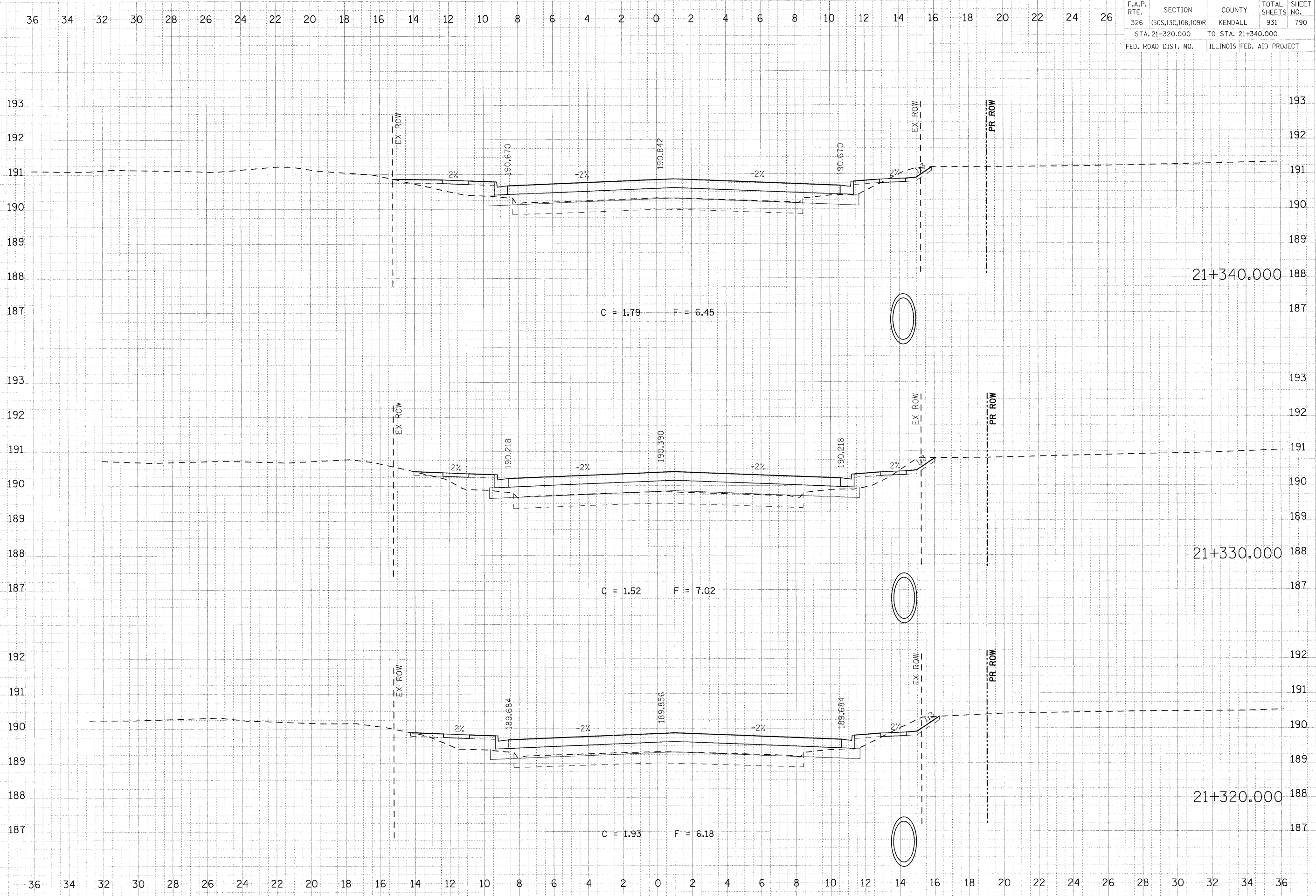


DATE	DATE
DATE	DATE
DATE	DATE
DATE	DATE
DATE	DATE

DATE	DATE
DATE	DATE
DATE	DATE
DATE	DATE
DATE	DATE

PLOT DATE = 07/26/2011
 FILE NAME = 703313.dwg
 PLOT SCALE = 0.10000 / MM.
 USER NAME = USERDESCR

F.A.P. RTE.	SECTION	COUNTY	TOTAL SHEETS	SHEET NO.
326	13C,108,109JR	KENDALL	931	790
STA. 21+320.000		TO STA. 21+340.000		
FED. ROAD DIST. NO.		ILLINOIS FED. AID PROJECT		

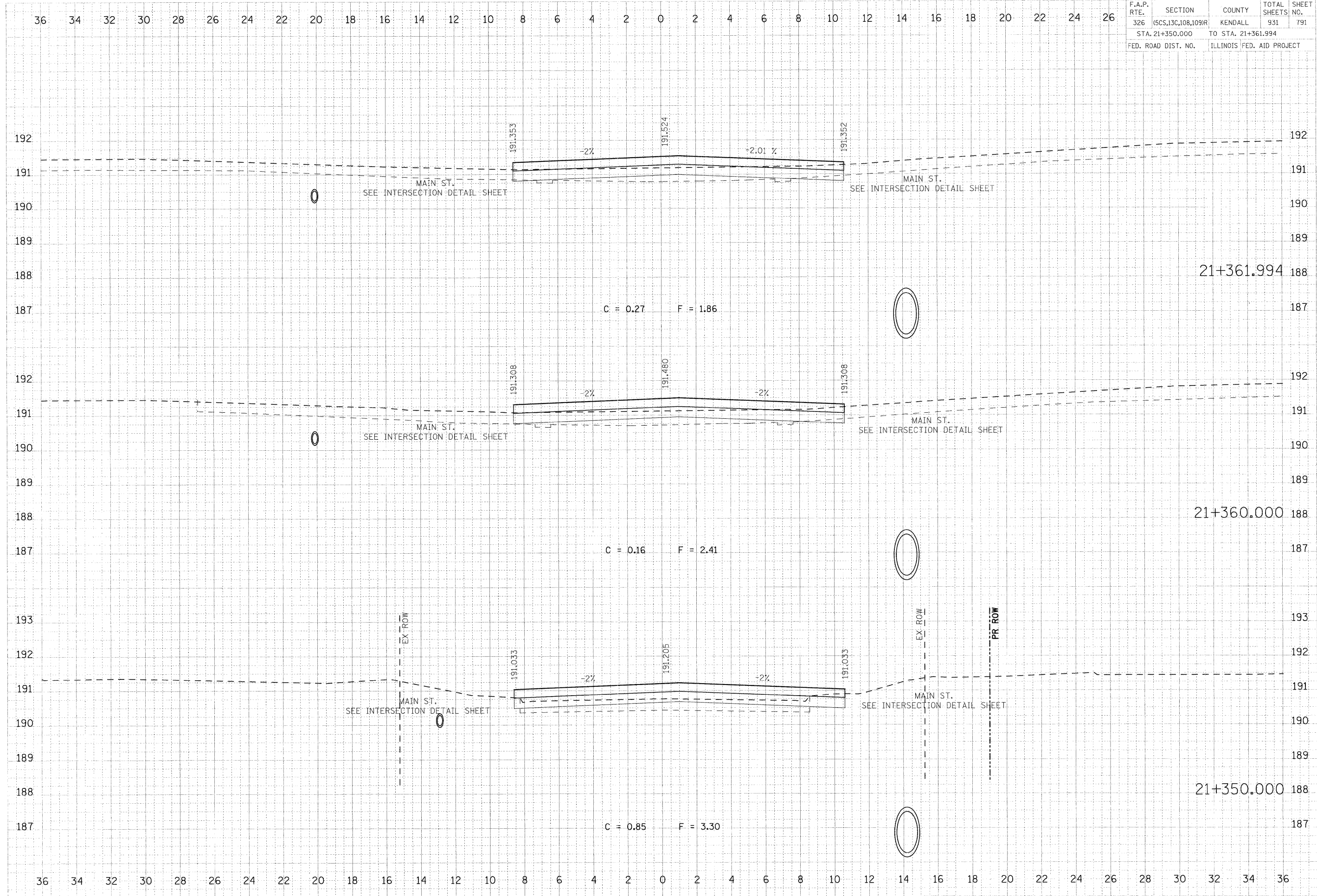


FINAL
 SUPPLY
 DATE

ORIGINAL
 SUPPLY
 DATE

PLOT DATE = 07/26/2011
 FILE NAME = 7523285-11147.dgn
 PLOT SCALE = 0.1000 MM
 USER NAME = _JUSROESCR_

F.A.P. RTE. 326	SECTION (SCS,13C,108,109)R	COUNTY KENDALL	TOTAL SHEETS 931	SHEET NO. 791
STA. 21+350.000		TO STA. 21+361.994		
FED. ROAD DIST. NO.		ILLINOIS FED. AID PROJECT		

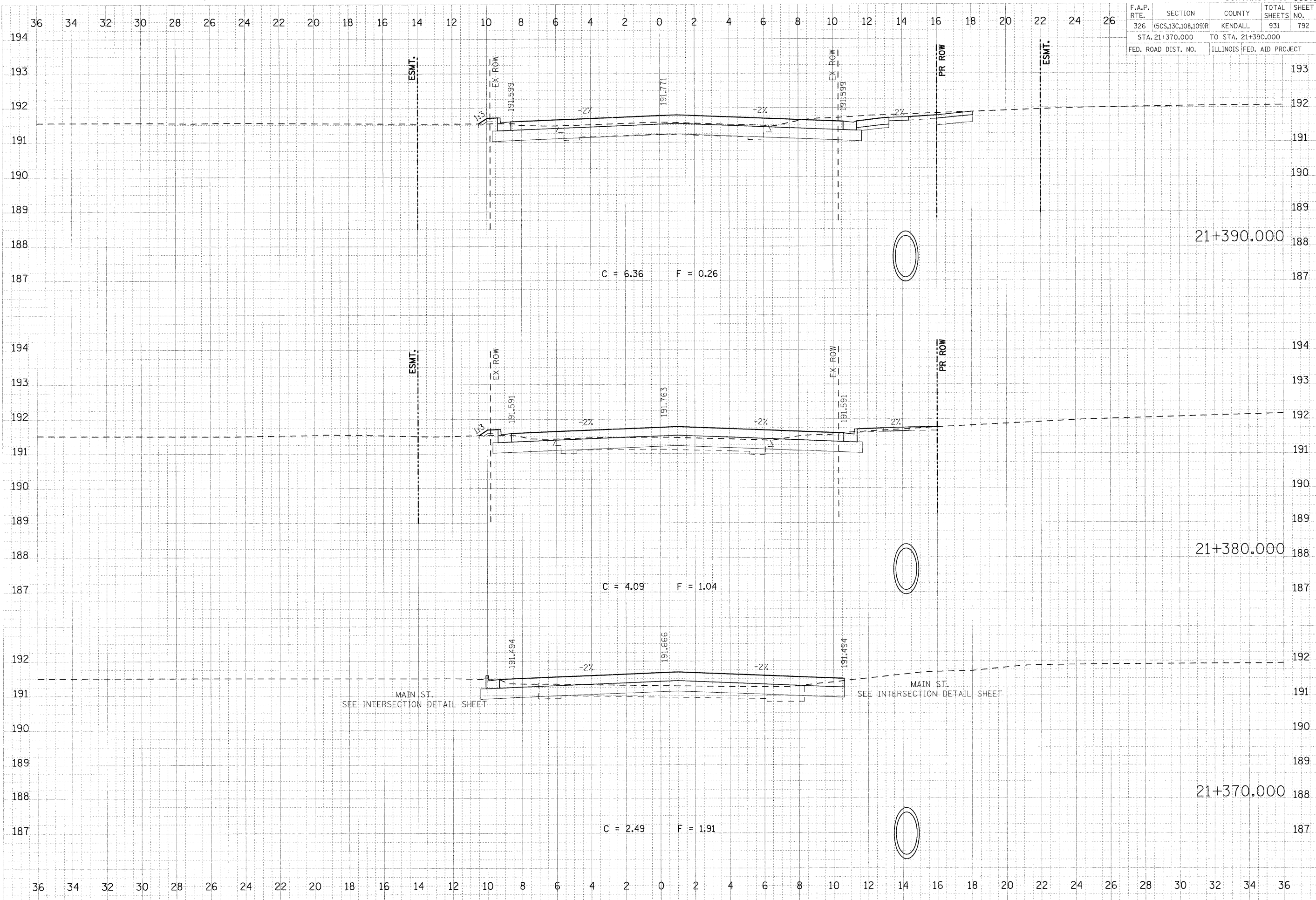


BY DATE
 CHECKED BY DATE
 SURVEYER'S NAME
 PROJECT NO.
 DATE PLOTTED
 PLOT SCALE
 USER NAME

BY DATE
 CHECKED BY DATE
 SURVEYER'S NAME
 PROJECT NO.
 DATE PLOTTED
 PLOT SCALE
 USER NAME

PLOT DATE = 07/26/2011
 PLOT SCALE = 1/8"=1'-0"
 USER NAME = JUSERESCR

F.A.P. RTE.	SECTION	COUNTY	TOTAL SHEETS	SHEET NO.
326	(SCS,13C,108,109)R	KENDALL	931	792
STA. 21+370.000		TO STA. 21+390.000		
FED. ROAD DIST. NO.		ILLINOIS FED. AID PROJECT		



DATE	BY	SCALE

DATE	BY	SCALE

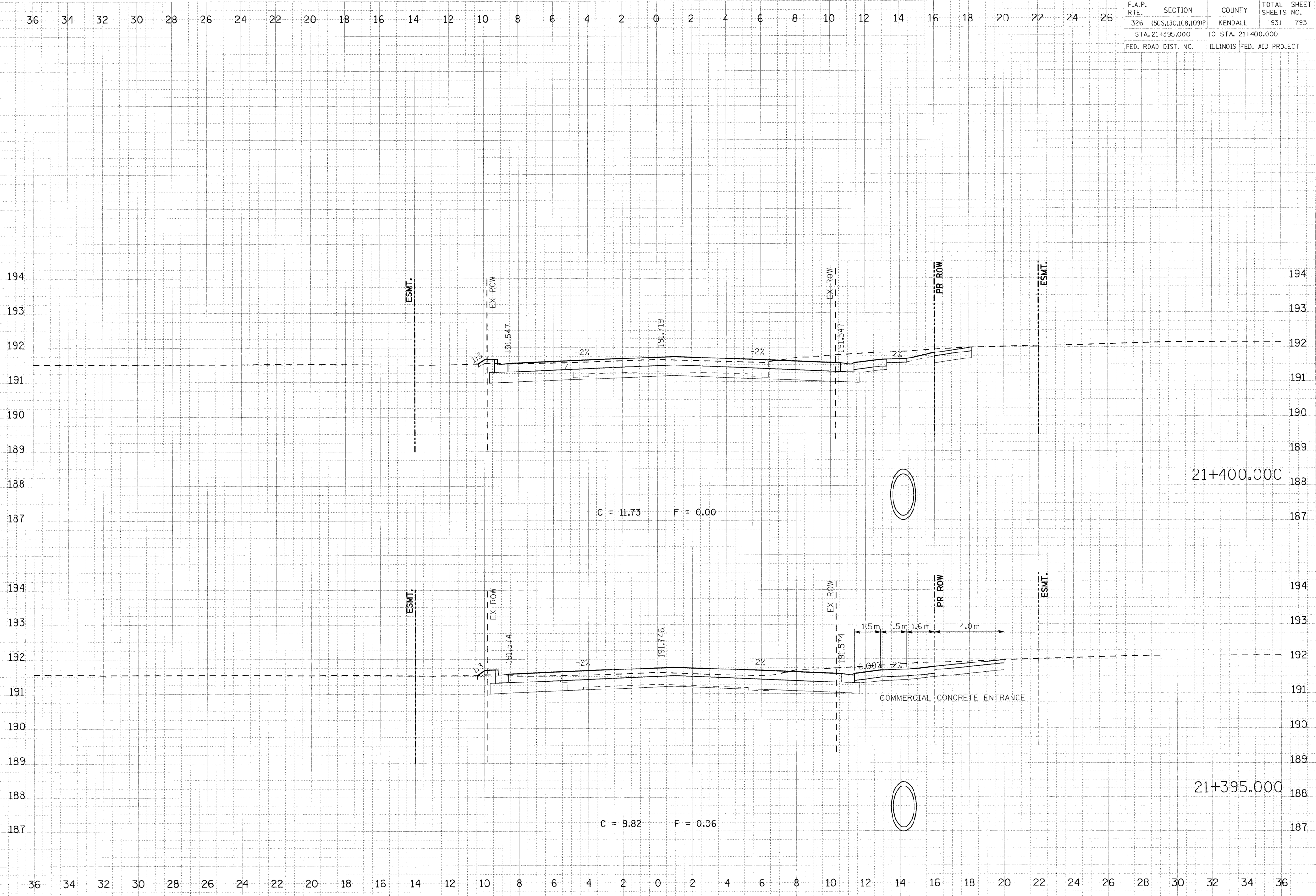
PLOT DATE = 07/26/2011
 FILE NAME = 783-878XS-shft-47n.dgn
 PLOT SCALE = 0.1000 m / MM.
 USER NAME = _USERDESCR.

F.A.P. RTE.	SECTION	COUNTY	TOTAL SHEETS	SHEET NO.
326	(SCS,13C,108,109)R	KENDALL	931	793
STA. 21+395.000		TO STA. 21+400.000		
FED. ROAD DIST. NO.		ILLINOIS FED. AID PROJECT		

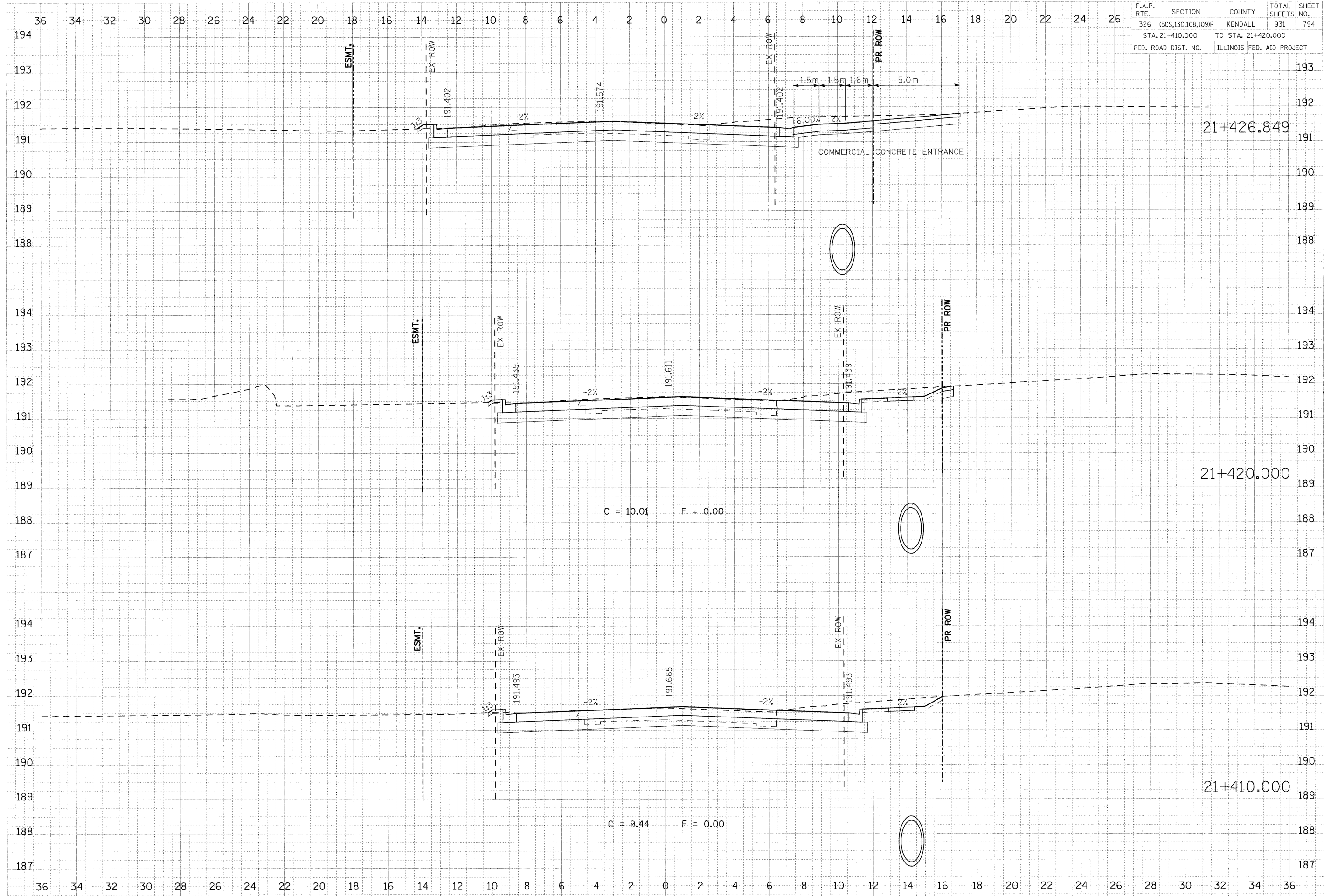
DATE	
BY	
CHECKED	
APPROVED	
DESIGNED	
DRAWN	
NOTED	
PLotted	

DATE	
BY	
CHECKED	
APPROVED	
DESIGNED	
DRAWN	
NOTED	
PLotted	

PLOT DATE = 07/26/2011
 FILE NAME = 702266671.dgn
 PLOT SCALE = 0.1000 MM
 USER NAME = JUSERDESCR



F.A.P. RTE.	SECTION	COUNTY	TOTAL SHEETS	SHEET NO.
326	(5CS,13C,108,109)R	KENDALL	931	794
STA. 21+410.000		TO STA. 21+420.000		
FED. ROAD DIST. NO.		ILLINOIS FED. AID PROJECT		

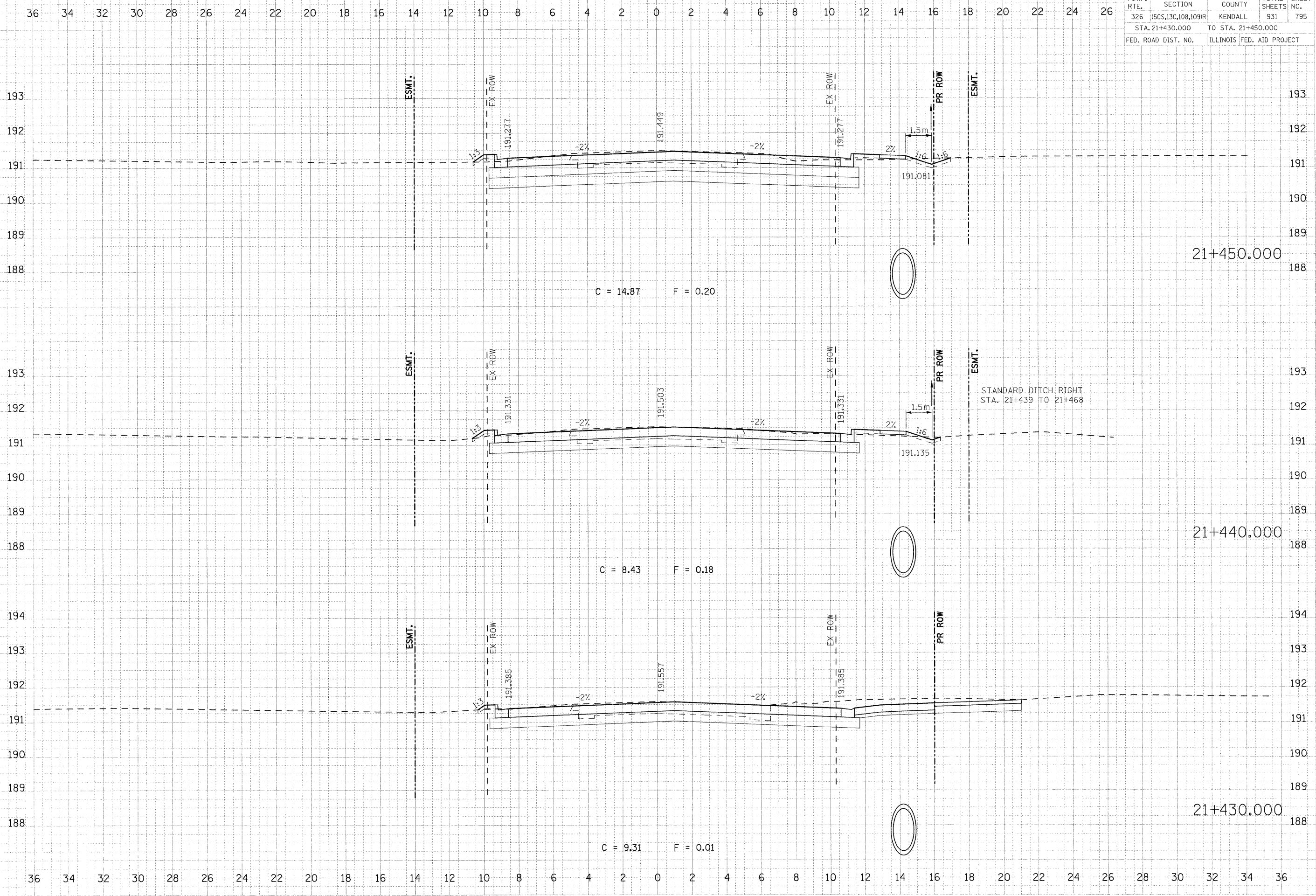


DATE	
BY	
CHECKED	
DESIGNED	
PLOTTED	
NOTED	
APPROVED	
LAB.	

DATE	
BY	
CHECKED	
DESIGNED	
PLOTTED	
NOTED	
APPROVED	
LAB.	

PLOT DATE = 07/26/2011
 FILE NAME = 794-979XS_half_47r.dgn
 PLOT SCALE = 0.1000 m/mm
 USER NAME = JUSERDESOR

F.A.P. RTE.	SECTION	COUNTY	TOTAL SHEETS	SHEET NO.
326	(SCS,13C,108,109)R	KENDALL	931	795
STA. 21+430.000		TO STA. 21+450.000		
FED. ROAD DIST. NO.		ILLINOIS FED. AID PROJECT		



DATE	
SCALE	
PROJECT	
DESIGNER	
CHECKER	
APPROVER	
DATE	

DATE	
SCALE	
PROJECT	
DESIGNER	
CHECKER	
APPROVER	
DATE	

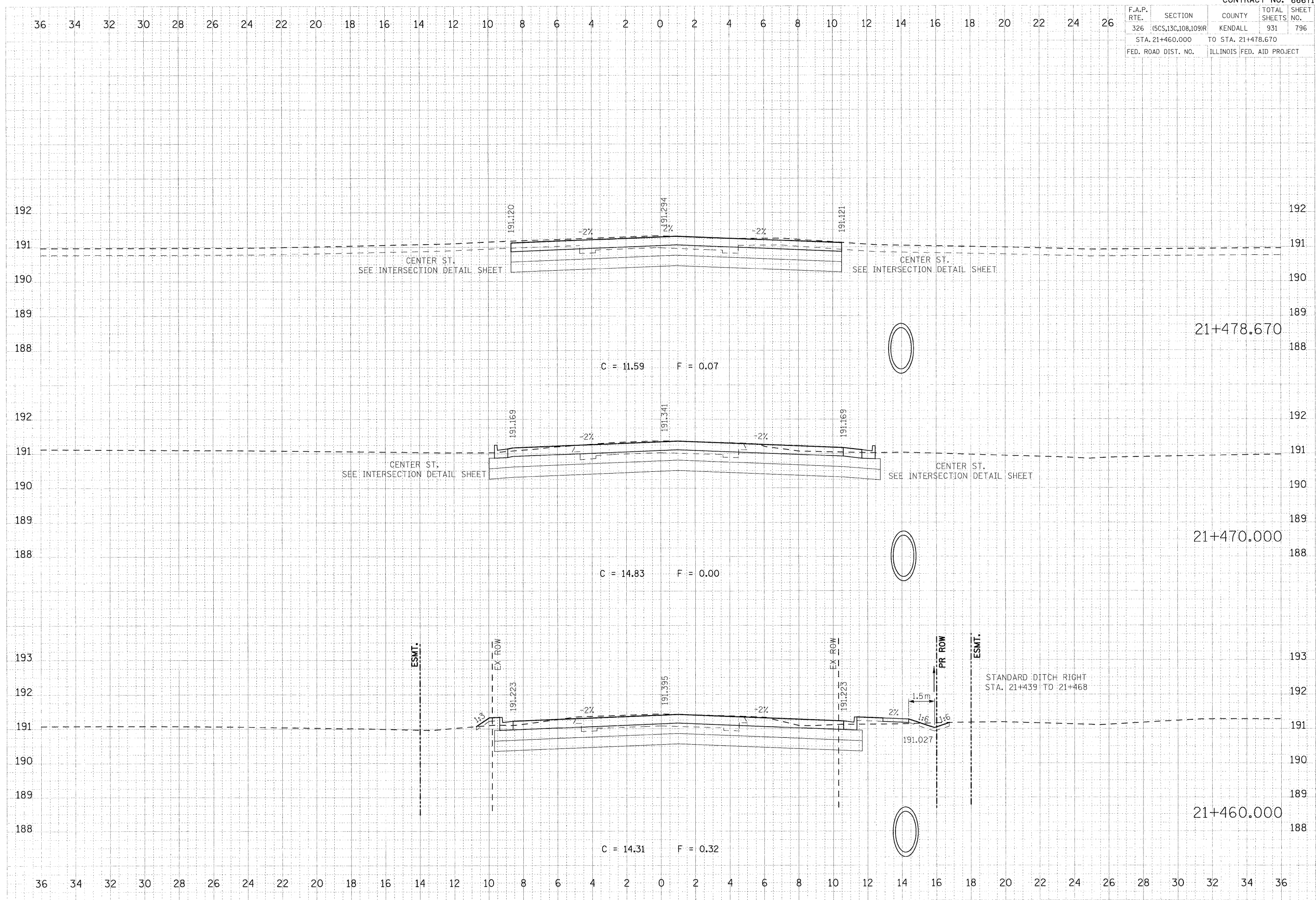
PLOT DATE = 07/26/2011
 FILE NAME = 795.dwg
 PLOT SCALE = 0.1000 m/mm
 USER NAME = USERDESCR

F.A.P. RTE.	SECTION	COUNTY	TOTAL SHEETS	SHEET NO.
326	(5CS,13C,108,109)R	KENDALL	931	796
STA. 21+460.000		TO STA. 21+478.670		
FED. ROAD DIST. NO.		ILLINOIS FED. AID PROJECT		

FINAL
SLIP
PROJECT
DATE

ORIGINAL
SURVEY
CHECKED
DATE

PLOT DATE = 07/26/2011
FILE NAME = 703-079XIS.dwg
PLOT SCALE = 0.1000 m/mm
USER NAME = JUSERESCR

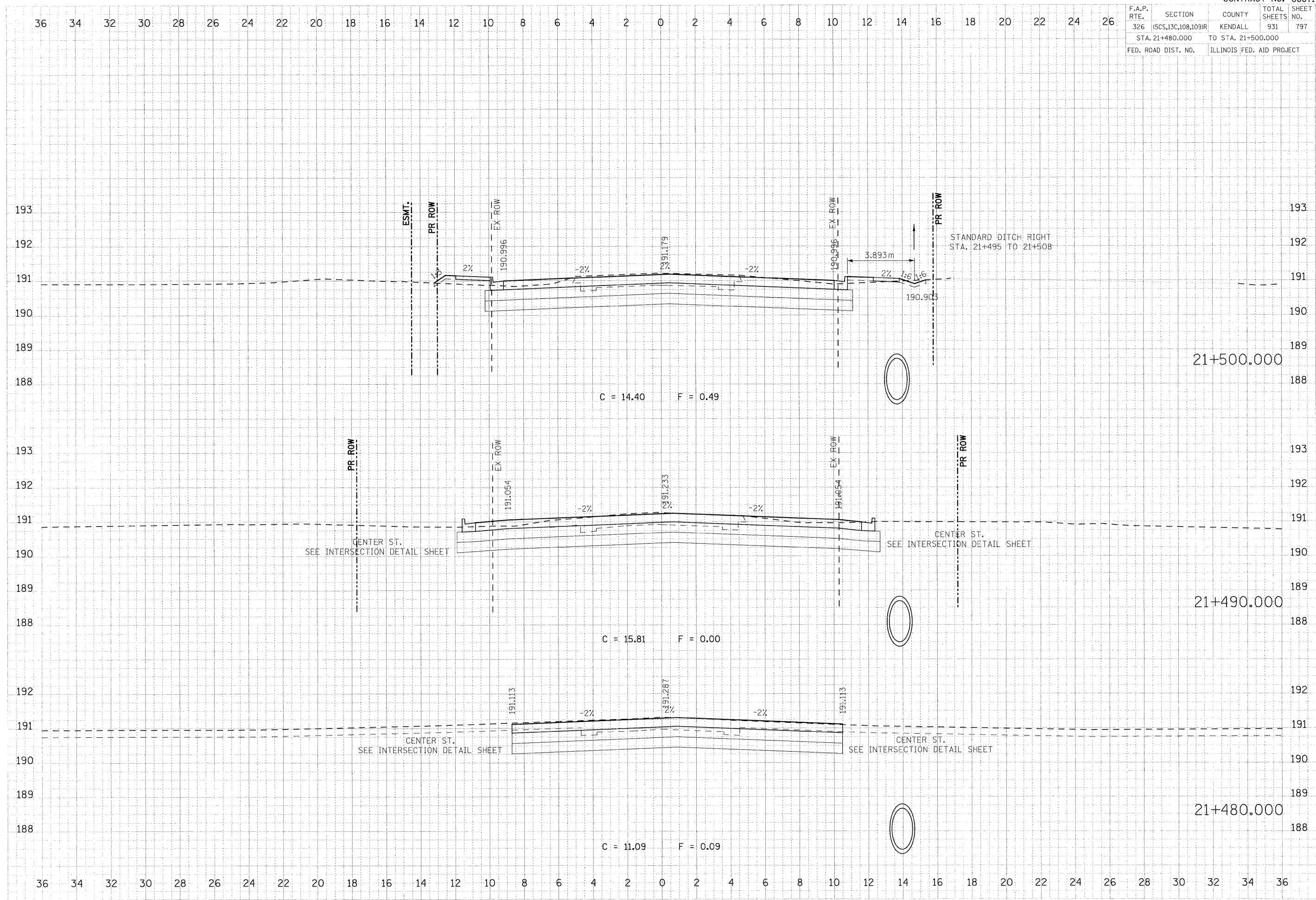


F.A.P. RTE.	SECTION	COUNTY	TOTAL SHEETS	SHEET NO.
326	(SCS,13C,108,109)R	KENDALL	931	797
STA. 21+480.000		TO STA. 21+500.000		
FED. ROAD DIST. NO.		ILLINOIS FED. AID PROJECT		

FINAL SURVEY	BY	DATE
SURVEY		
NOTE		
AREAS		
CHECKED		

PRIMA SURVEY	BY	DATE
SURVEY		
NOTE		
AREAS		
CHECKED		

PLOT DATE = 07/26/2001
 PLOT SCALE = 0.0000 MM
 USER NAME = USERDESCR_

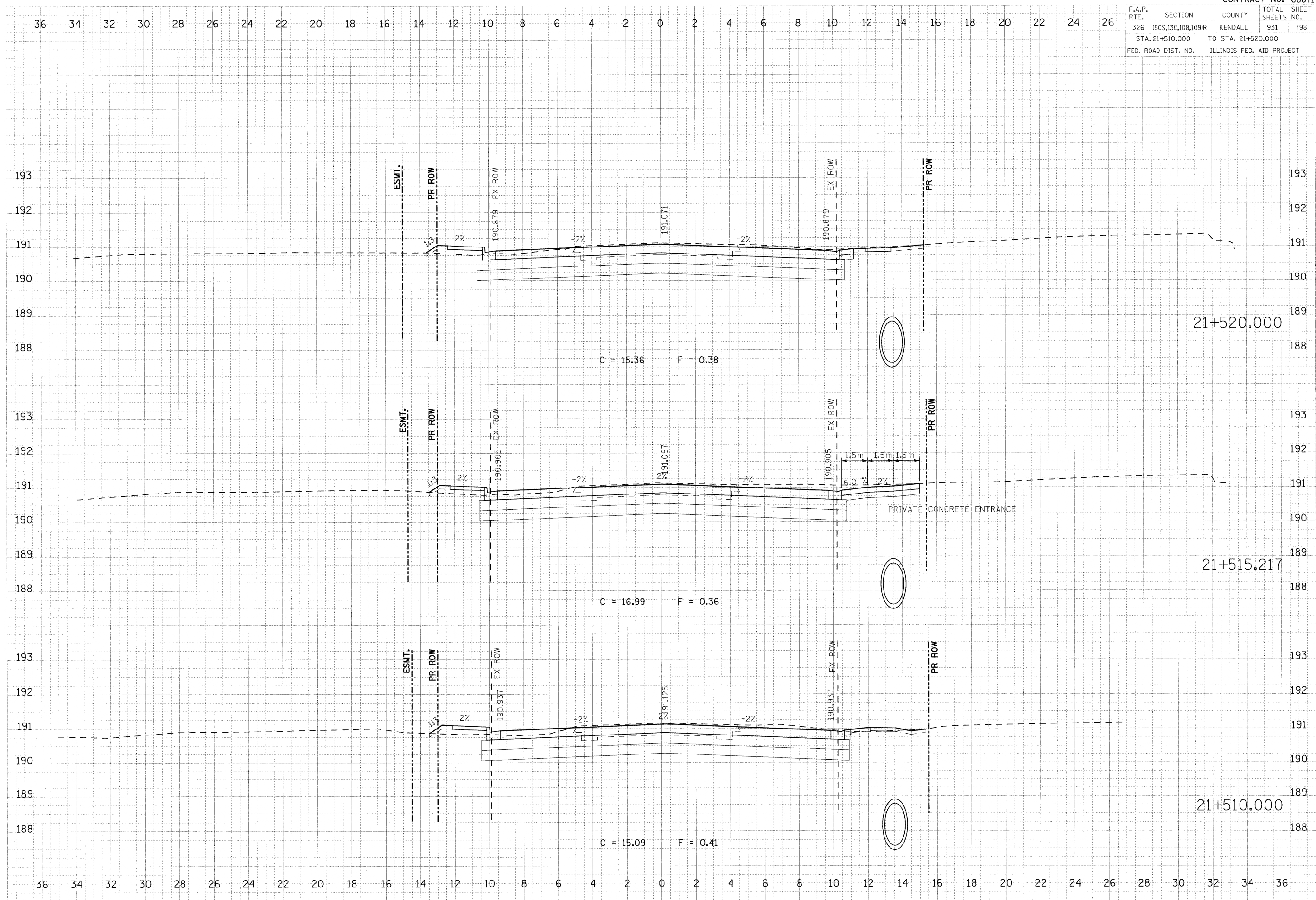


F.A.P. RTE.	SECTION	COUNTY	TOTAL SHEETS	SHEET NO.
326	(SCS,13C,108,109)R	KENDALL	931	798
STA. 21+510.000		TO STA. 21+520.000		
FED. ROAD DIST. NO.		ILLINOIS FED. AID PROJECT		

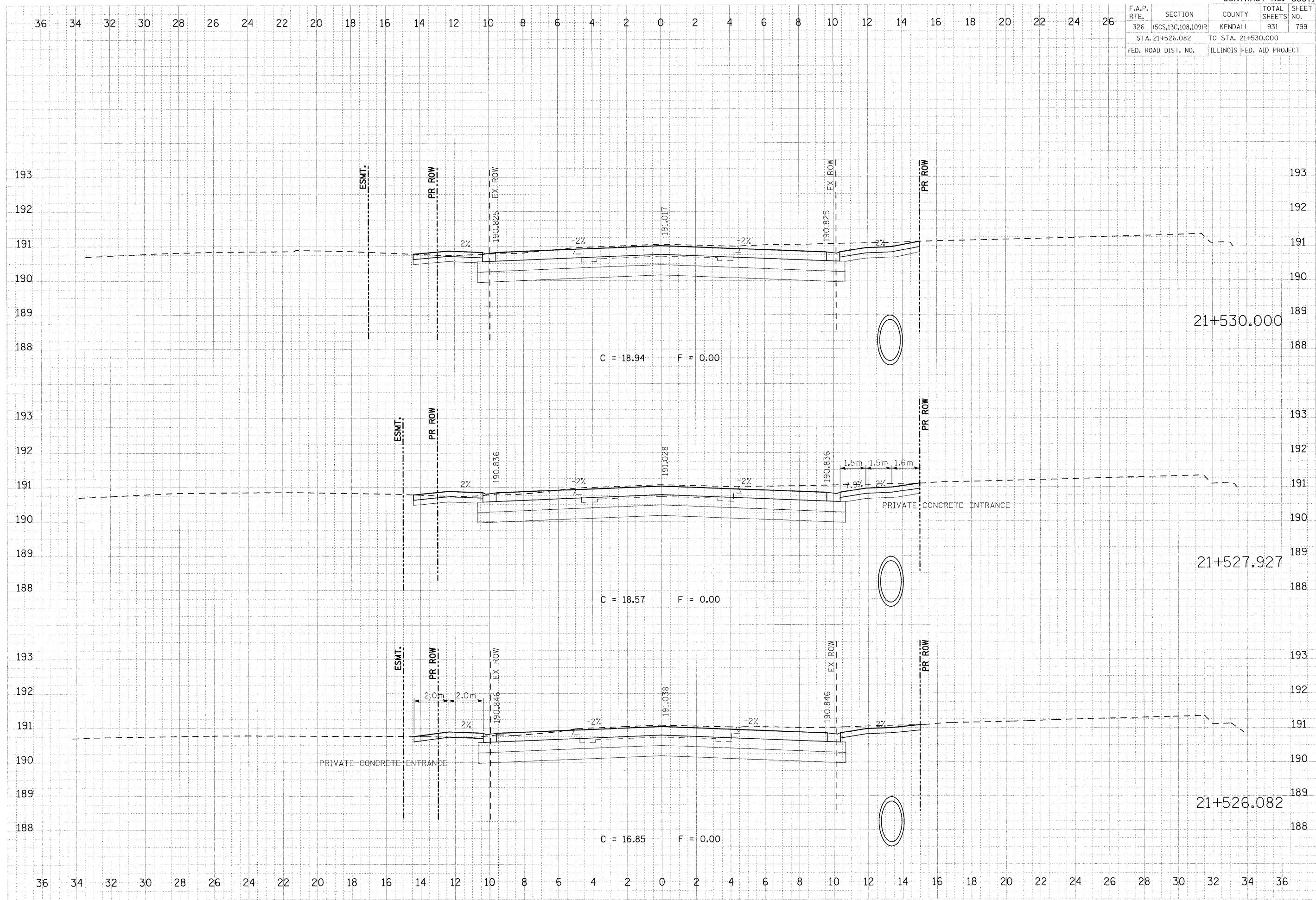
FINAL	DATE
SUPPLY	
NOTA BONA	
NO. OF SHEETS USED	

ORIGINAL	DATE
SURVEY	
NOTE BOOK	
NO. OF SHEETS USED	

PLOT DATE = 07/26/2011
 FILE NAME = 793266.dwg
 PLOT SCALE = 0.1000 / MM
 USER NAME = USERDESCR



F.A.P. RTE.	SECTION	COUNTY	TOTAL SHEETS	SHEET NO.
326	(5CS,13C,108,109)R	KENDALL	931	799
STA. 21+526.082		TO STA. 21+530.000		
FED. ROAD DIST. NO.		ILLINOIS FED. AID PROJECT		



FINAL
SURVEYED
NOTED
DATE

ORIGINAL
SURVEYED
NOTED
DATE

PLOT DATE = 07/26/2011
 PLOT SCALE = 0.1000 MM
 USER NAME = JUSERDESCR

F.A.P. RTE.	SECTION	COUNTY	TOTAL SHEETS	SHEET NO.
326	15CS,13C,108,109R	KENDALL	931	800
STA. 21+540.000		TO STA. 21+557.131		
FED. ROAD DIST. NO.		ILLINOIS FED. AID PROJECT		

DATE	
BY	
CHECKED	
APPROVED	
DESIGNED	
DRAWN	
NOTED	
PLANNED	
PROJECT	
SURVEY	
FILED	

DATE	
BY	
CHECKED	
APPROVED	
DESIGNED	
DRAWN	
NOTED	
PLANNED	
PROJECT	
SURVEY	
FILED	

PLOT DATE = 07/26/2011
 FILE NAME = 743-878XS.dwg
 PLOT SCALE = 0.1000 m / MM
 USER NAME = JUSERESCR

