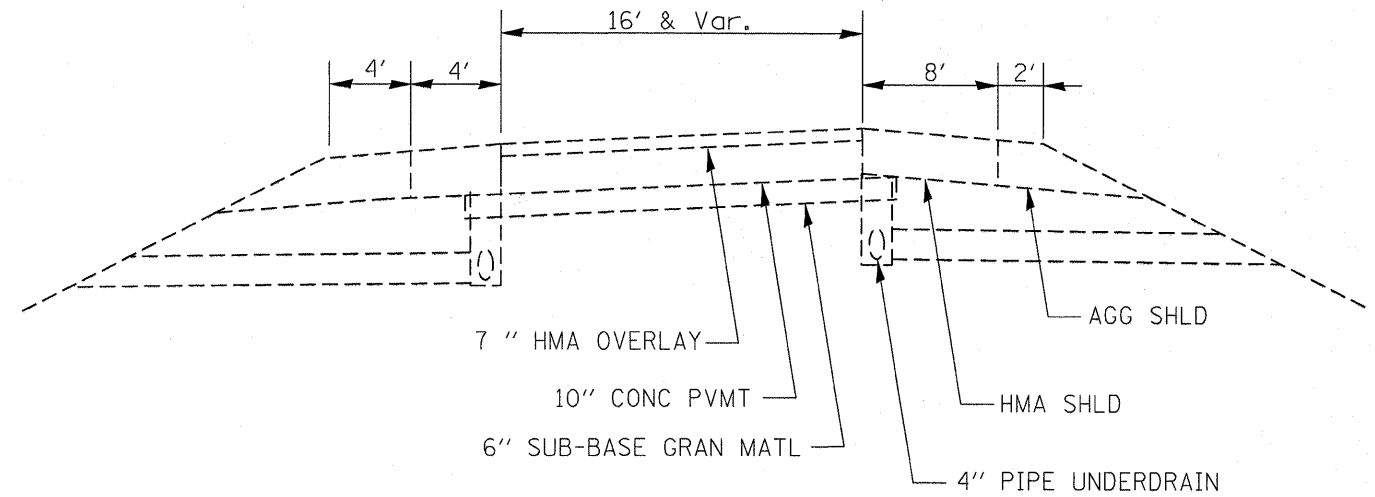
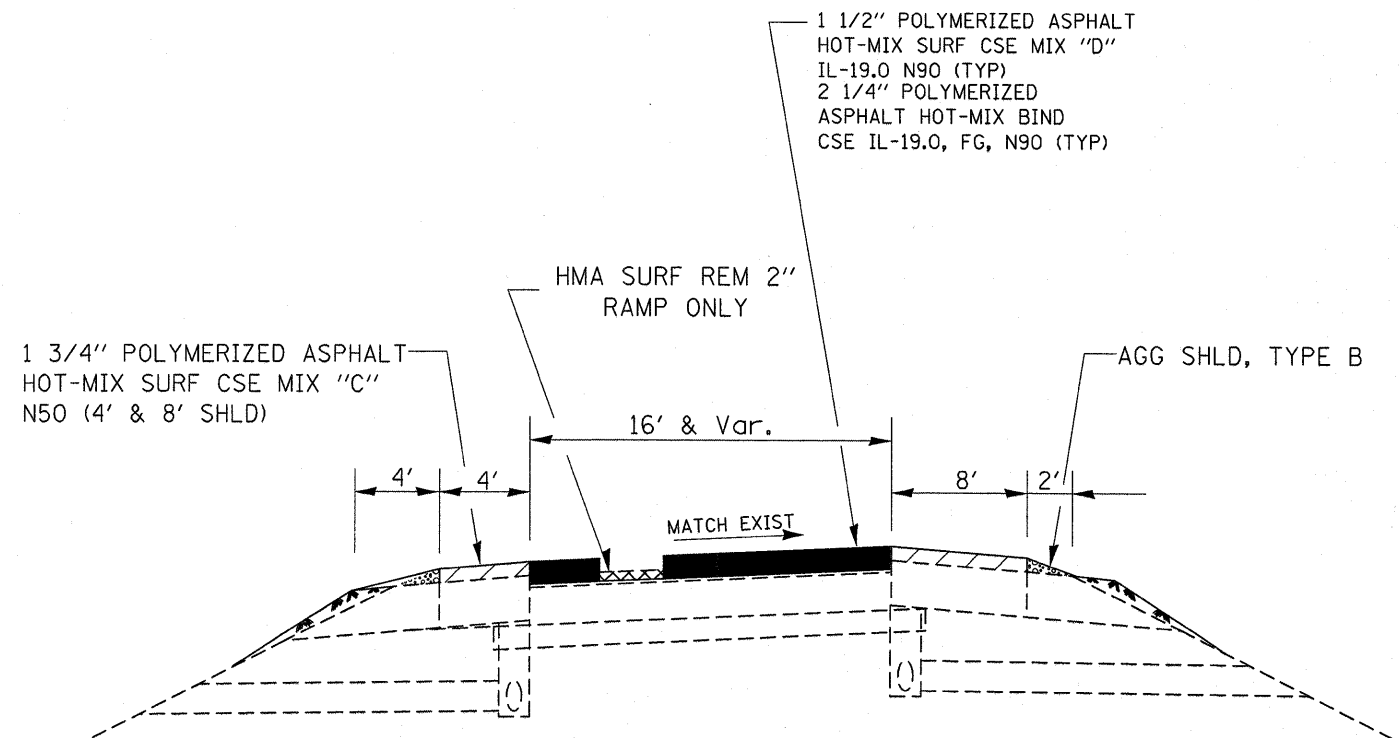


MIXTURES TABLE				
	HMA SURFACE (MAINLINE AND 4' SHLD)	HMA BINDER FOR MAINLINE	HMA SHOULDER 10' SHOULDER (TOP 1-3/4')	HMA SHOULDER FOR SPBGR STABILIZATION
PG GRADE	SBS PG-70-22	SBS PG-70-22	SBS PG-70-22	PG-58-22
DESIGN AIR VOIDS	4.0% @ N90	4.0% @N90	4.0% @ N50	2.0% @ N30
MIXTURE COMPOSITION	IL 9.5	IL 19.0 FG		IL 19.0
FRICTION AGGREGATE	MIXTURE D		MIXTURE C	
DENSITY TEST METHOD	CORRELATION	CORRELATION	CORRELATION	SATISFACTION OF ENGINEER

THIS TABLE PERTAINS TO THE HMA QUANTITIES FROM STA 1080+00 TO STA 1205+10.17 AND FROM STA 1264+20.17 TO STA 1405+64. FOR THE OTHER HMA QUANTITIES BETWEEN THESE STATIONS, SEE THE MIX TABLES ON OTHER TYPICAL SECTION SHEET, EXCEPT ALL BINDER COURSE ON THIS PROJECT SHALL BE FINE GRADED



**EXISTING TYPICAL SECTION
IL 26 RAMPS**



**PROPOSED TYPICAL SECTION
IL 26 RAMPS**

FILE NAME =	USER NAME = monallysr	DESIGNED -	REVISED -	STATE OF ILLINOIS DEPARTMENT OF TRANSPORTATION	TYPICAL SECTIONS	F.A. SECTION	COUNTY	TOTAL SHEETS	SHEET NO.
os\pw_work\pwork\monallysr\0212731\036686-sht-cover.dgn	DESIGNED -	REVISED -	80			(106-5)HBR-1,VBR(106-6)RS-3&I	BUREAU	249	9
PLOT SCALE = 50.1113' / in.	CHECKED -	REVISED -	CONTRACT NO. 66686						
PLOT DATE = 9/19/2011	DATE -	REVISED -	ILLINOIS FED. AID PROJECT						