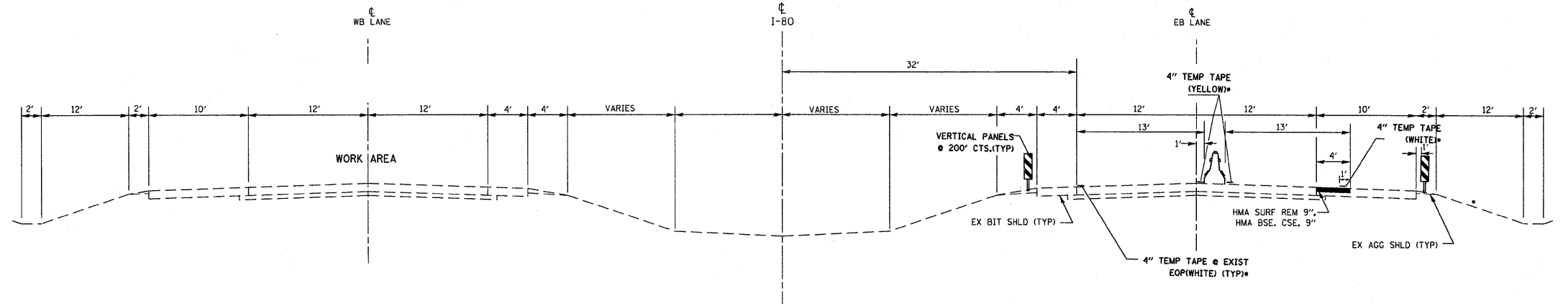


BETWEEN MEDIAN CROSSOVERS

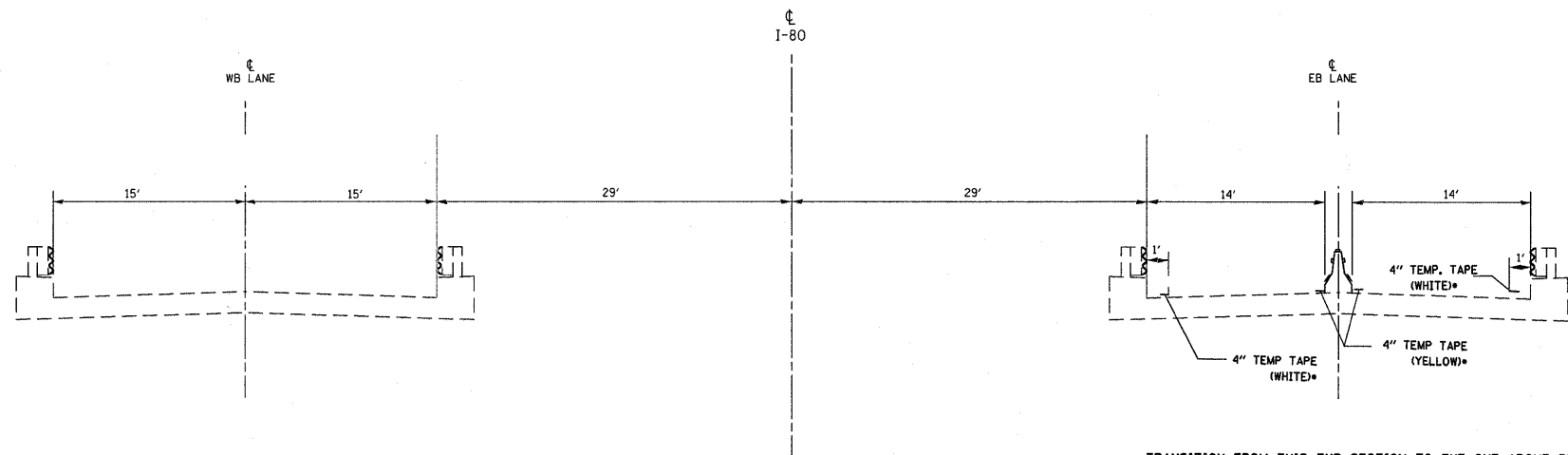


STAGE I MAINLINE STA 1184+12 TO 1334+89 (EXCEPT ACROSS BR AS SHOWN BELOW)

NOTES:

1. THE CONTRACTOR HAS THE OPTION OF USING EITHER THE LINE ON THE TEMPORARY CONCRETE BARRIER OR ON THE PAVEMENT.
2. THE COLOR OF THE REFLECTORS AND PAVEMENT/BARRIER MARKING LINE WILL VARY WITH STAGING AND SHALL MATCH THE EXISTING LINE IN THE WORK AREA.
3. THE COST OF THE REFLECTORS IS INCLUDED IN THE COST OF TEMPORARY CONCRETE BARRIER
4. FINAL SHOULDER RUMBLE STRIPS SHALL BE PLACED AFTER STAGE II COMPLETE

•WET TEMPORARY PAVEMENT
MARKING TAPE TYPE III
(REMOVE ALL EXIST PVT MK)



TRANSITION FROM THIS TYP SECTION TO THE ONE ABOVE BETWEEN STA 1222+00 TO STA 1224+00 AND BETWEEN STA 1232+85 TO STA 1234+85

STAGE I ACROSS SN 006-0022

NOTES:

1. THE CONTRACTOR HAS THE OPTION OF USING EITHER THE LINE ON THE TEMPORARY CONCRETE BARRIER OR ON THE PAVEMENT.
2. THE COLOR OF THE REFLECTORS AND PAVEMENT/BARRIER MARKING LINE WILL VARY WITH STAGING AND SHALL MATCH THE EXISTING LINE IN THE WORK AREA.
3. THE COST OF THE REFLECTORS IS INCLUDED IN THE COST OF TEMPORARY CONCRETE BARRIER
4. FINAL SHOULDER RUMBLE STRIPS SHALL BE PLACED AFTER STAGE II COMPLETE

•WET TEMPORARY PAVEMENT
MARKING TAPE TYPE III
(REMOVE ALL EXIST PVT MK)

FILE NAME =	USER NAME = braboygo	DESIGNED -	REVISD -
cs:\pw\work\p\dot\braboygo\d0212731\0366886-shd-cover.dgn		DRAWN -	REVISD -
		CHECKED -	REVISD -
		DATE -	REVISD -

STATE OF ILLINOIS
DEPARTMENT OF TRANSPORTATION

STAGE I, TYPICAL SECTIONS

SCALE: SHEET NO. OF SHEETS STA. TO STA.

F.A. RTE.	SECTION	COUNTY	TOTAL SHEETS	SHEET NO.
80	[(06-5)HBR-1,VBR(106-6)RS-3&I	BUREAU	249	48
CONTRACT NO. 66686			ILLINOIS FED. AID PROJECT	