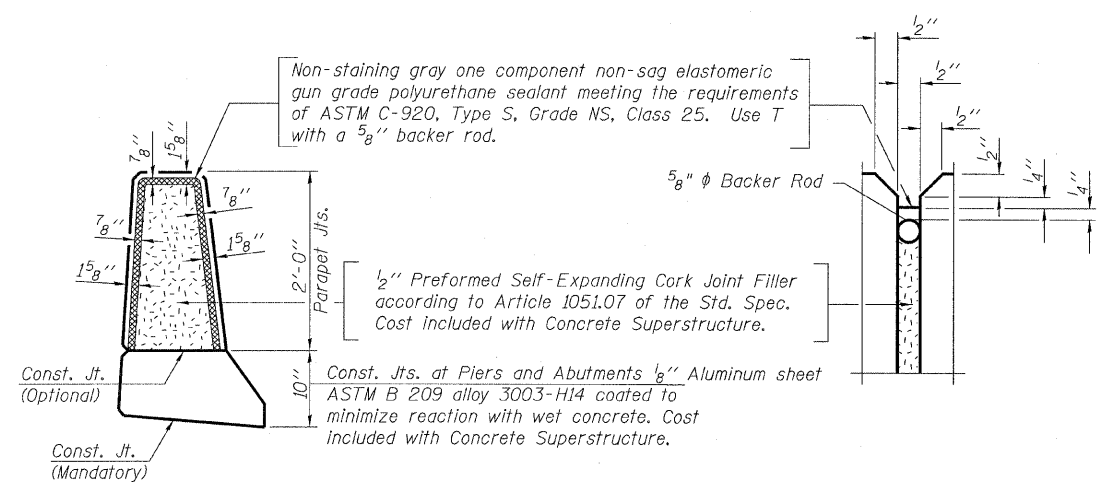


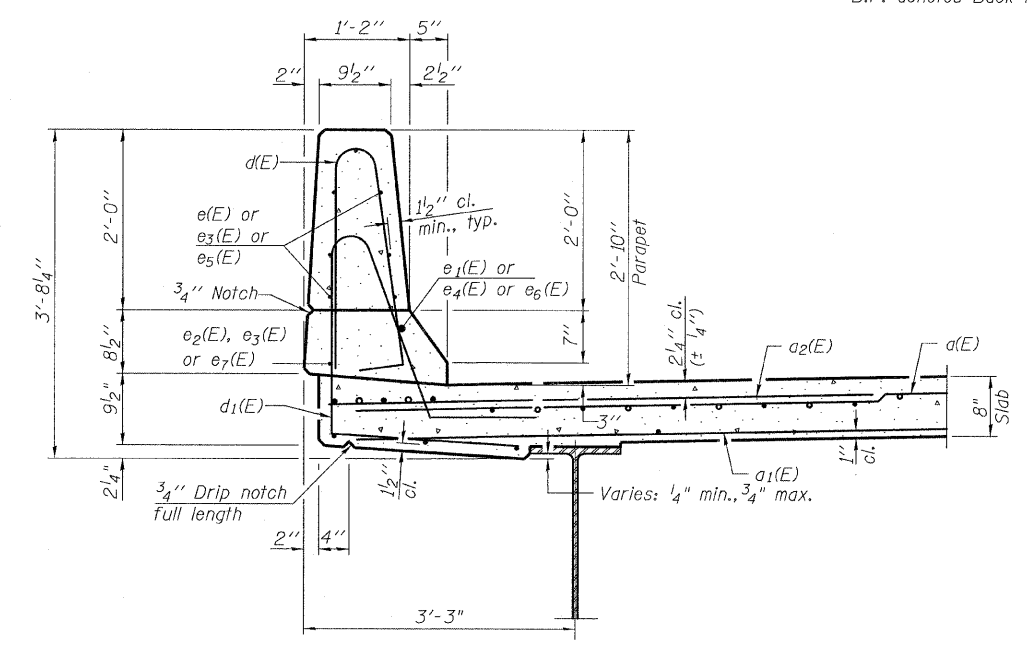
**INSIDE ELEVATION OF PARAPET**

**LEGEND**

F.F. denotes Front Face  
B.F. denotes Back Face



**PARAPET JOINT DETAILS**



**SECTION THRU PARAPET**

FILE NAME =	USER NAME =	DESIGNED - DY	REVISED -	<b>STATE OF ILLINOIS DEPARTMENT OF TRANSPORTATION</b>	<b>SUPERSTRUCTURE DETAILS - 2 STRUCTURE NO. 006-0020 EB AND 006-0021 WB</b>	F.A.I. RTE.	SECTION	COUNTY	TOTAL SHEET NO.
<b>TYLIN INTERNATIONAL</b>	PLOT SCALE =	CHECKED - PF	REVISED -			80	1106-5MHR-1.VBR(06-6)RS-3&1	BUREAU	249 77
	PLOT DATE = 09/13/2011	DRAWN - DY	REVISED -			SHEET NO. 10 OF 37 SHEETS		CONTRACT NO. 66686	
		CHECKED - PF	REVISED -			ILLINOIS FED. AID PROJECT			

\*FILE\*

\*TIME\*