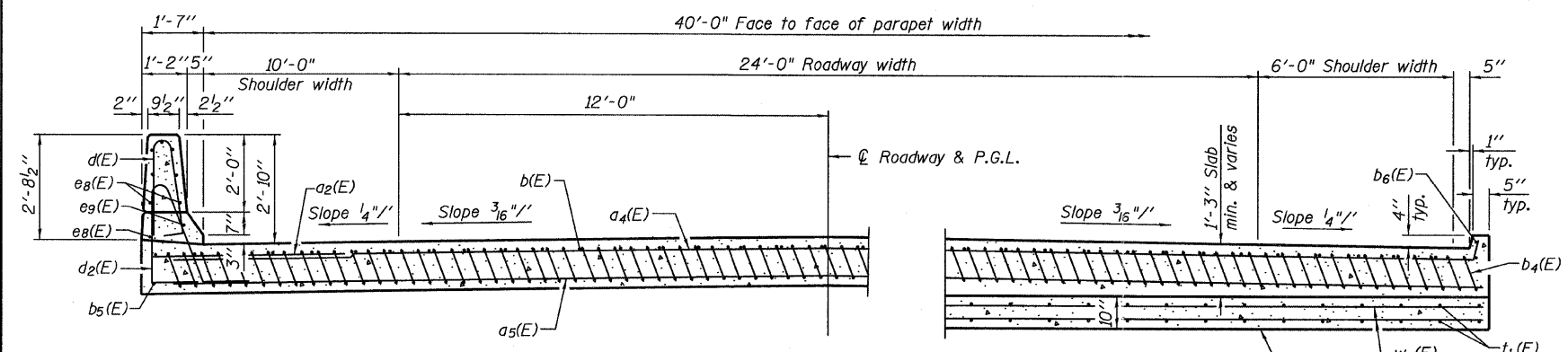


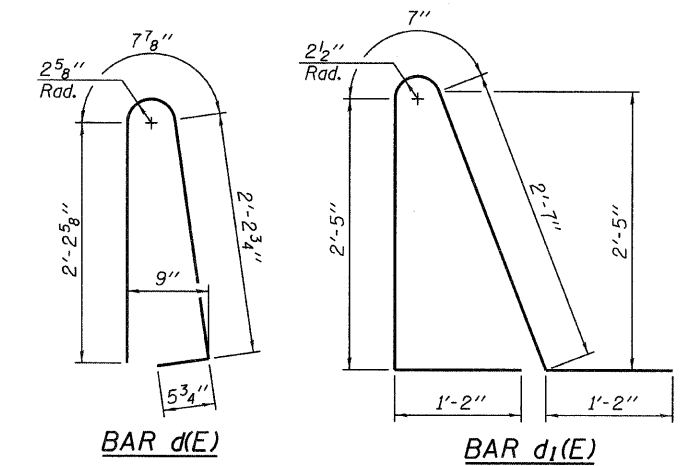
SECTION C-C

Notes:
 See sheet 12 of 37 for Detail A and View B-B.
 Approach slab and parapet concrete shall be paid for as Concrete Superstructure.
 Approach footing concrete shall be paid for as Concrete Structures.
 Reinforcement shall be paid for as Reinforcement Bars, Epoxy Coated.
 For v(E) bar details, see sheet 11 of 37.
 The approach footing maximum applied service bearing pressure (Qmax) = 2.0 ksf.
 For bar splicer details, see sheet 30 of 37.
 Cost of excavation for approach footing included with Concrete Structures.
 For Porous Granular Embankment (Special) and drainage treatment details, see sheet 2 of 37.
 For additional parapet details, see sheet 10 of 37.
 The quantities for Bridge Deck Grooving and Protective Coat are included in the quantities on sheet 2 of 37.

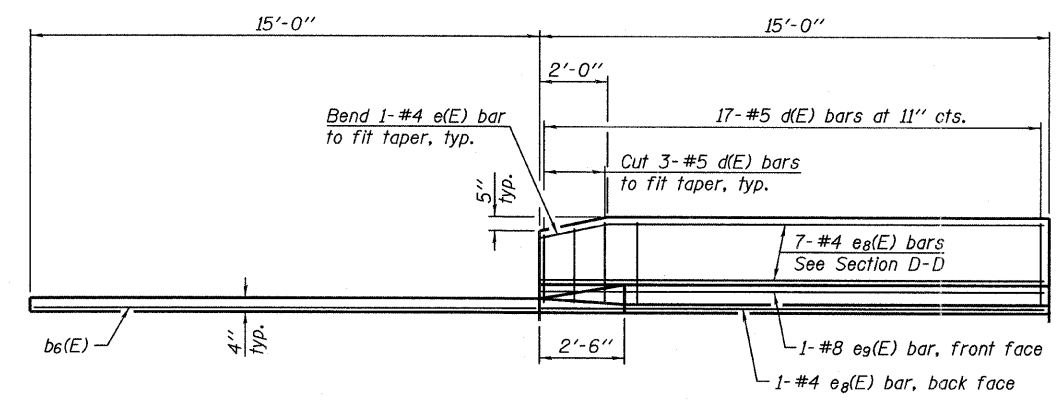


SECTION D-D

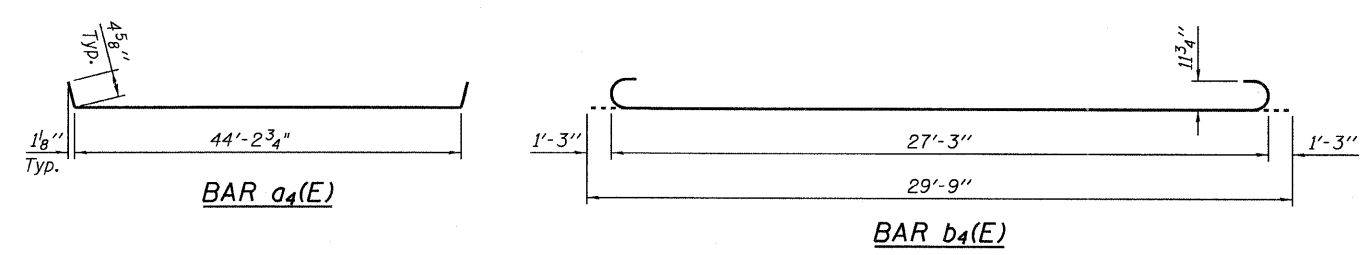
(See Plan for dimensions not shown)



* Tilt #9 b4(E) bars as required to maintain clearance.
 *** Cost included with Concrete Superstructure.



VIEW E-E



TWO APPROACHES (W.B. BRIDGE)
 BILL OF MATERIAL

Bar	No.	Size	Length	Shape
a4(E)	50	#4	45'-0"	U
a5(E)	92	#5	44'-6"	—
a2(E)	48	#6	6'-6"	—
b3(E)	64	#4	29'-8"	—
b4(E)	194	#9	29'-9"	U
b5(E)	4	#4	14'-8"	—
b6(E)	4	#4	14'-8"	—
d(E)	68	#5	5'-7"	Λ
d2(E)	68	#5	7'-11"	Λ
e8(E)	32	#4	14'-8"	—
e9(E)	4	#8	14'-8"	—
t1(E)	172	#4	10'-4"	—
w1(E)	80	#5	44'-6"	—
Concrete Superstructure			Cu. Yd.	126.8
Concrete Structures			Cu. Yd.	27.6
(1) Reinforcement Bars, Epoxy Coated			Pound	33,550

(1) 4,910 pounds of total weight is considered Reinforcement Bars, Epoxy Coated for Substructure.

TWO APPROACHES (E.B. BRIDGE)
 BILL OF MATERIAL

Bar	No.	Size	Length	Shape
a4(E)	50	#4	45'-0"	U
a5(E)	92	#5	44'-6"	—
a2(E)	48	#6	6'-6"	—
b3(E)	64	#4	29'-8"	—
b4(E)	194	#9	29'-9"	U
b5(E)	4	#4	14'-8"	—
b6(E)	4	#4	14'-8"	—
d(E)	68	#5	5'-7"	Λ
d2(E)	68	#5	7'-11"	Λ
e8(E)	32	#4	14'-8"	—
e9(E)	4	#8	14'-8"	—
t1(E)	172	#4	10'-4"	—
w1(E)	80	#5	44'-6"	—
Concrete Superstructure			Cu. Yd.	126.8
Concrete Structures			Cu. Yd.	27.6
(1) Reinforcement Bars, Epoxy Coated			Pound	33,550

(1) 4,910 pounds of total weight is considered Reinforcement Bars, Epoxy Coated for Substructure.

(Sheet 2 of 2)