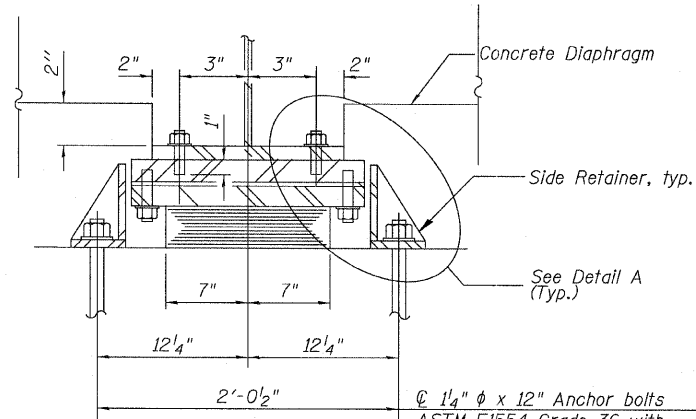
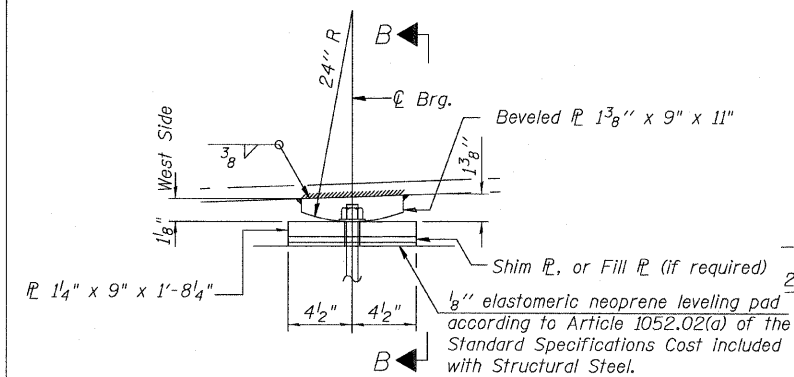


ELEVATION AT ABUT.

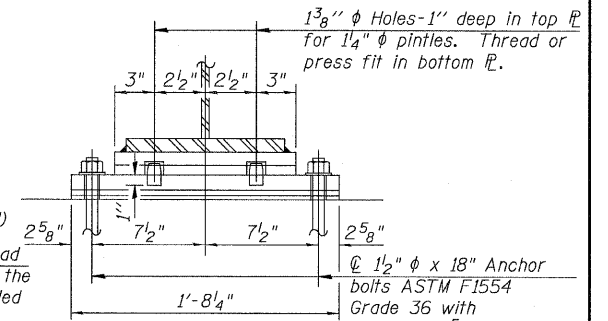


SECTION A-A

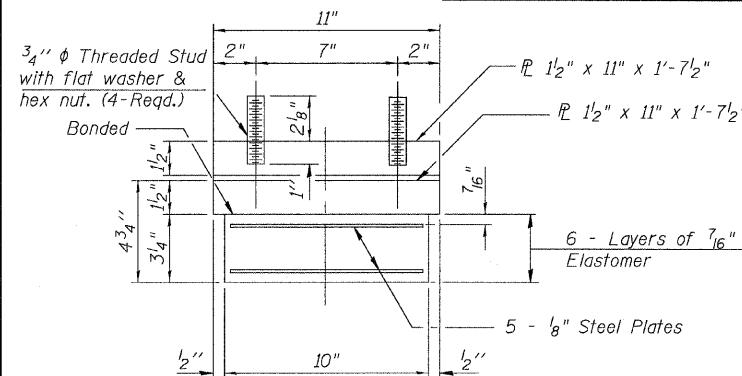
TYPE I ELASTOMERIC EXP. BRG. AT ABUTMENTS



ELEVATION AT PIER

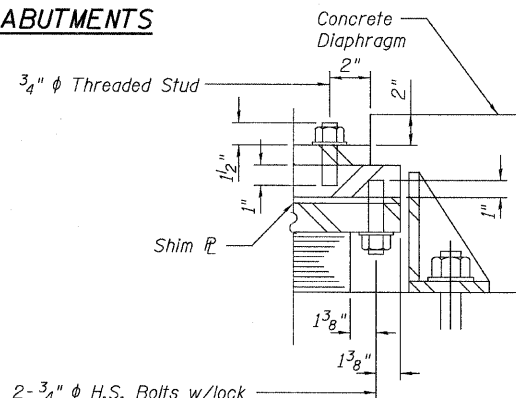


SECTION B-B



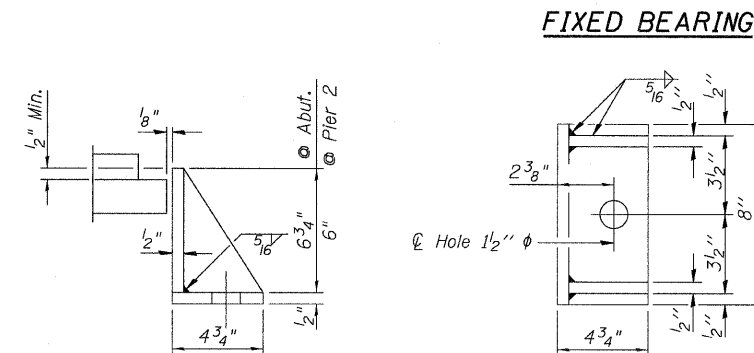
BEARING ASSEMBLY

Note: Shim plates shall not be placed under Bearing Assembly.



DETAIL A

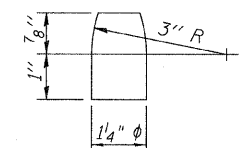
2-3/4" H.S. Bolts w/lock washers (Typ. ea. side) (Coat with anti-seize compound) Tapped holes in top flange; 7/8" holes in bearing flange



SIDE RETAINER

Equivalent rolled angle with stiffeners will be allowed in lieu of welded plates.

FIXED BEARING



PINTLE

BILL OF MATERIAL

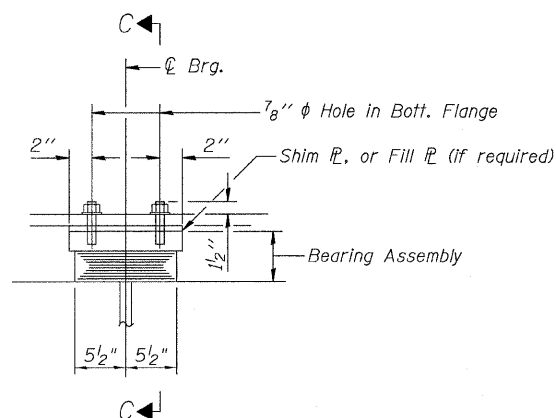
Item	Unit	E.B.	W.B.	Total
Elastomeric Bearing Assembly Type I	Each	18	18	36
Anchor Bolts 1 1/2" φ	Each	36	36	72
Anchor Bolts 1 1/2" φ	Each	12	12	24

FILL PLATE THICKNESS TABLE

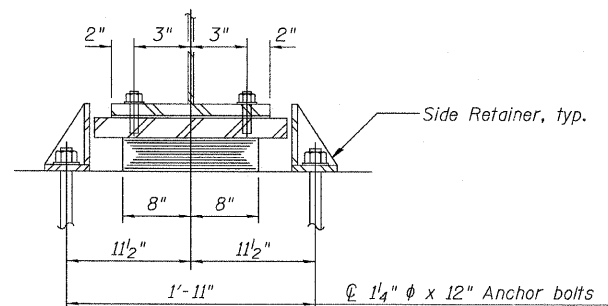
Beam	E. Abut.	Pier 1	Pier 2	W. Abut.
B3	3/8"	3/8"	3/8"	3/8"
B4	1/8"	1/8"	1/8"	1/8"
B8	5/8"	5/8"	5/8"	5/8"

NOTES:

- Anchor bolts shall be ASTM F1554 all-thread (or an Engineer-approved alternate material) of the grade(s) and diameter(s) specified. ASTM A307 Grade C anchor bolts may be used in lieu of ASTM F1554 Grade 36 (Fy=36ksi). The corresponding specified grade of AASHTO M314 anchor bolts may be used in lieu of ASTM F1554.
- Anchor bolts at fixed bearings may be either cast in place or installed in holes drilled after the supported member is in place.
- Anchor bolts for side retainers may be cast in place or installed in holes drilled before or after members are in place.
- Drilled and set anchor bolts shall be installed according to Article 521.06 of the Standard Specifications.
- Side retainers and other steel members required for the elastomeric bearing assembly shall be included in the cost of Elastomeric Bearing Assembly, Type I.
- Two 1/8 in. adjusting shims shall be provided for each bearing in addition to all other plates or shims and placed as shown on bearing details.
- The structural steel plates of the Bearing Assembly and the Fixed Bearing and pintles shall conform to the requirements of AASHTO M270 Grade 50.



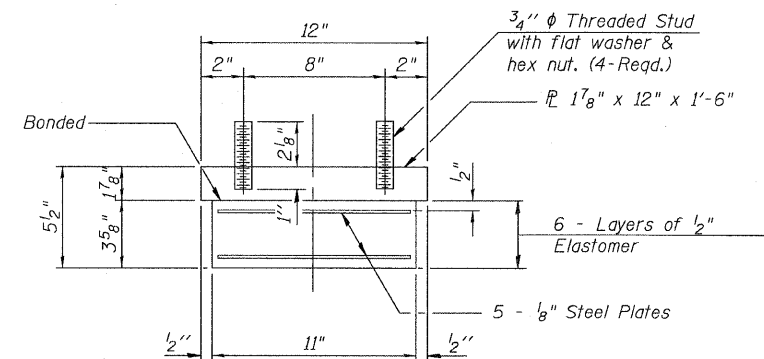
ELEVATION VIEW



SECTION C-C

TYPE I ELASTOMERIC EXP. BRG. AT PIER 2

Note: Shim plates shall not be placed under Bearing Assembly.



BEARING ASSEMBLY

FILE NAME =	USER NAME =	DESIGNED - PF	REVISED -
TYLIN INTERNATIONAL		CHECKED - SP	REVISED -
	PLOT SCALE =	DRAWN - EH	REVISED -
	PLOT DATE = 09/13/2011	CHECKED - PF	REVISED -

STATE OF ILLINOIS
DEPARTMENT OF TRANSPORTATION

BEARING DETAILS
STRUCTURE NO. 006-0020 EB AND 006-0021 WB

SHEET NO. 16 OF 37 SHEETS

F.A.I. RTE.	SECTION	COUNTY	TOTAL SHEETS	SHEET NO.
80	[106-5HBR-1.VBR06-6]RS-3&1	BUREAU	249	83
			CONTRACT NO. 66686	
ILLINOIS FED. AID PROJECT				