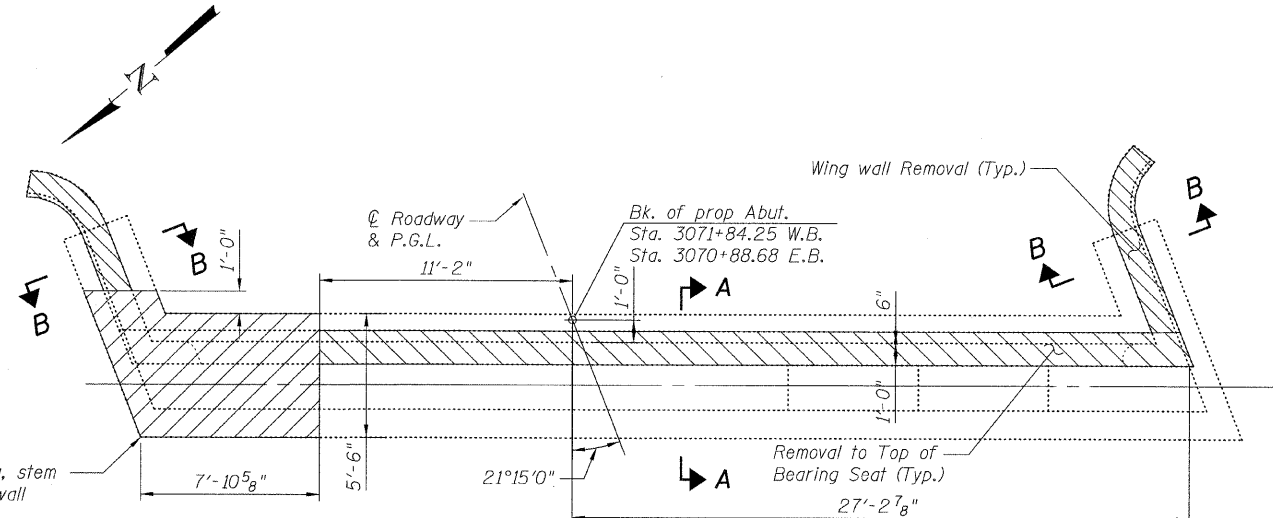
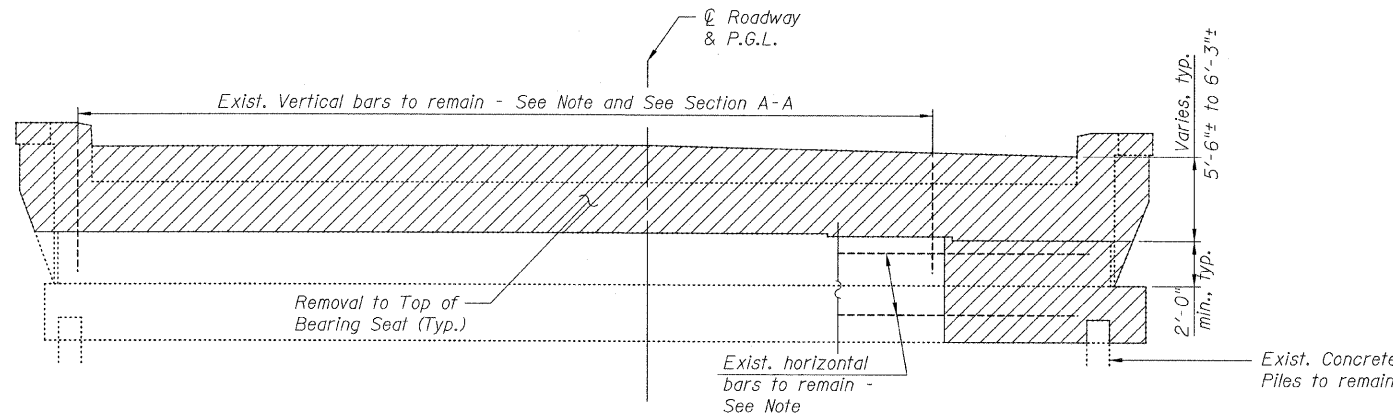


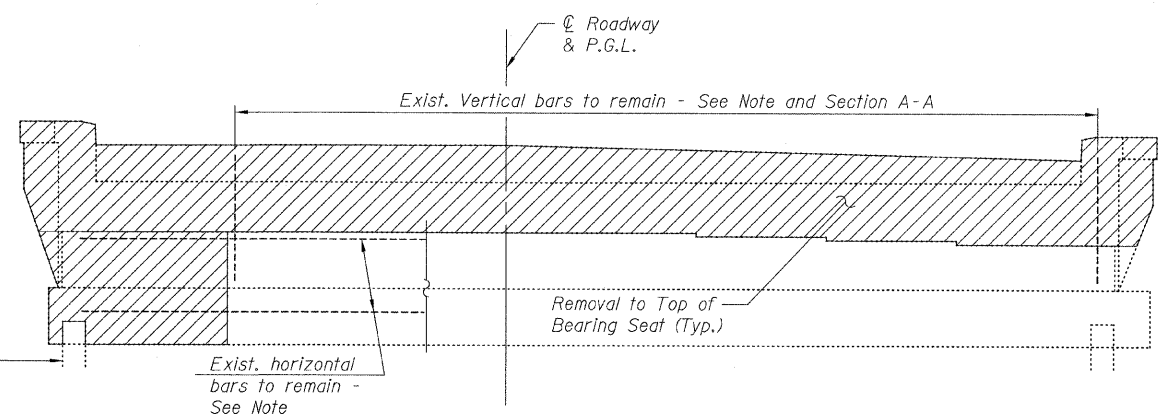
EAST ABUTMENT (W.B. BRIDGE) & WEST ABUTMENT (E.B. BRIDGE) REMOVAL PLAN



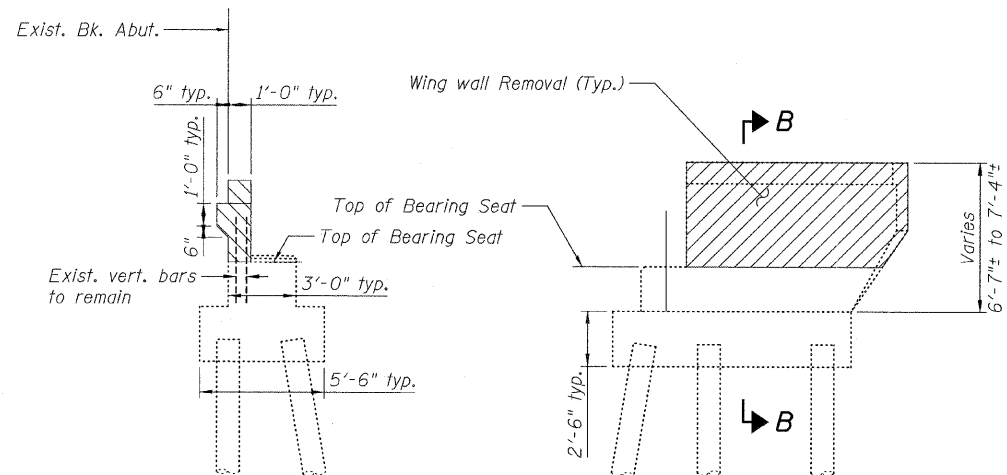
EAST ABUTMENT (E.B. BRIDGE) & WEST ABUTMENT (W.B. BRIDGE) REMOVAL PLAN



EAST ABUTMENT (W.B. BRIDGE) - LOOKING EAST & WEST ABUTMENT (E.B. BRIDGE) - LOOKING WEST REMOVAL ELEVATION

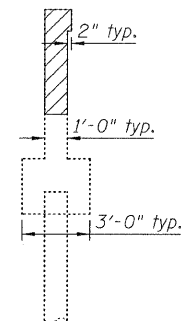


EAST ABUTMENT (E.B. BRIDGE) - LOOKING EAST & WEST ABUTMENT (W.B. BRIDGE) - LOOKING WEST REMOVAL ELEVATION



SECTION A-A

SIDE ELEVATION



SECTION B-B

CONCRETE REMOVAL QUANTITIES

STRUCTURE	ABUTMENT	UNIT	QUANTITY
E.B. Bridge	East	Cu. Yd.	17.6
	West	Cu. Yd.	19.2
W.B. Bridge	East	Cu. Yd.	18.6
	West	Cu. Yd.	17.6

LEGEND

Concrete Removal

NOTES

- Existing reinforcement shall be cleaned and incorporated into the new construction. Cost included with Concrete Removal.
- Existing reinforcement not extending into the new construction shall be cut off flush & covered with 2" layer of cement grout. Cost included with Concrete Removal.

BILL OF MATERIAL

ITEM	UNIT	E.B. Bridge	W.B. Bridge	TOTAL
Concrete Removal	Cu. Yd.	36.8	36.2	73.0

FILE NAME =	USER NAME =	DESIGNED - DY	REVISED -	STATE OF ILLINOIS DEPARTMENT OF TRANSPORTATION	CONCRETE REMOVAL - ABUTMENTS STRUCTURE NO. 006-0020 EB AND 006-0021 WB	F.A.I. RTE.	SECTION	COUNTY	TOTAL SHEETS	SHEET NO.	
TYLIN INTERNATIONAL	PLOT SCALE =	CHECKED - PF	REVISED -			80	1006-5MHR-1.VBR(06-6)RS-3&1	BUREAU	249	84	
PLOT DATE = 09/13/2011	DRAWN - DY	CHECKED - PF	REVISED -			SHEET NO. 17 OF 37 SHEETS		CONTRACT NO. 66686		ILLINOIS FED. AID PROJECT	