

ELEVATION
(Looking West)

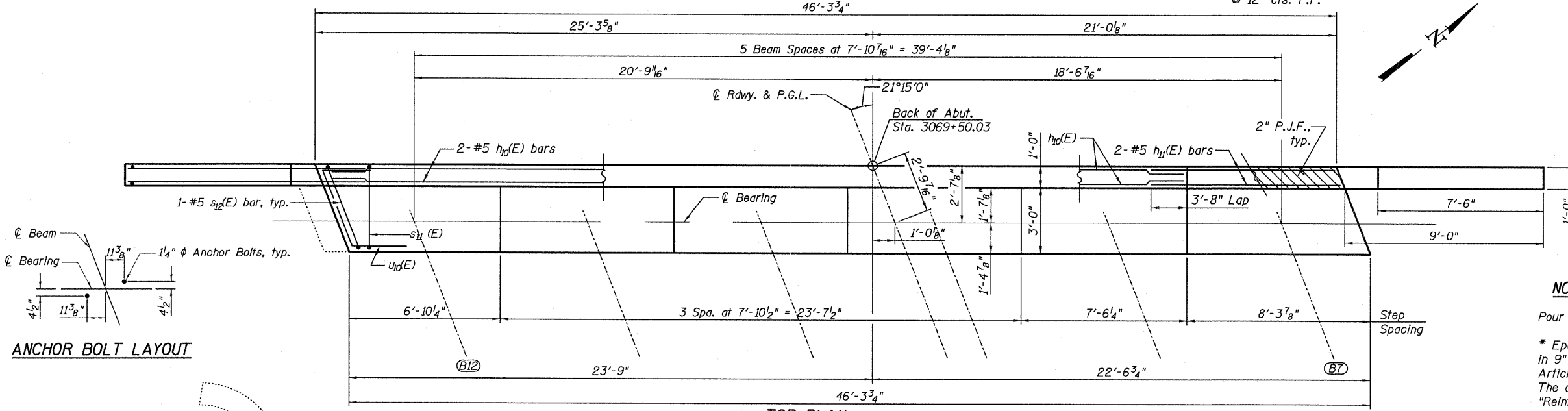
PILE DATA
 Type: Steel HP 14x73
 Nominal Required Bearing: 150 kips
 Factored Resistance Available: 50 kips
 Est. Length: 25'
 No. Production Piles: 1
 No. Test Piles: 0

LAP SPLICES

Bar	Lap
#4	2'-11"
#5	3'-8"

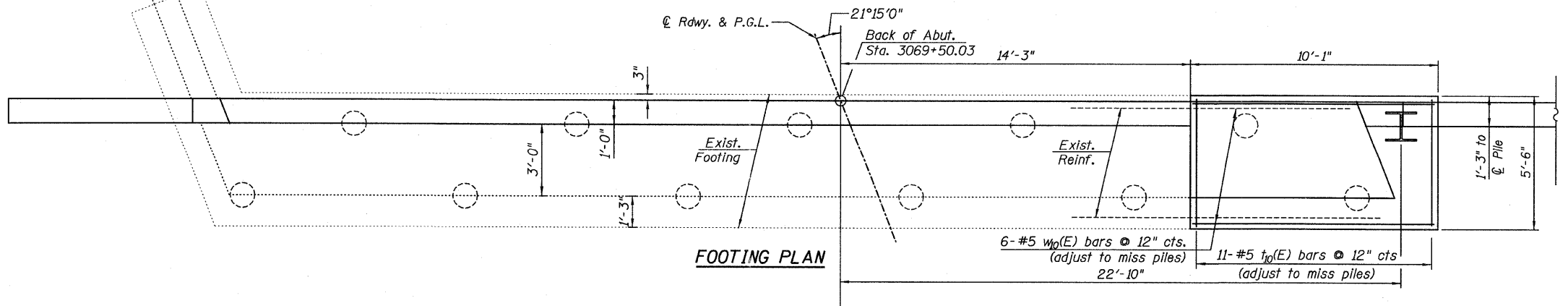
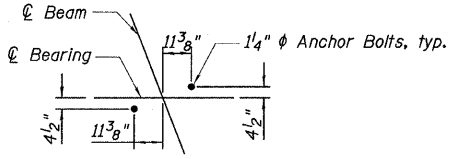
NOTES:

- Pour steps monolithically with cap.
- * Epoxy Grout $d_{20}(E)$, $d_{21}(E)$, $d_{12}(E)$ bars in 9" minimum drilled holes, according to Article 584 of the Standard Specifications. The cost shall be included in "Reinforcement Bars, Epoxy Coated."
- Existing reinforcement shall be cleaned and incorporated into the new construction. Cost included with Concrete Removal. See Removal Sheets.
- E.F. - Denotes Each Face.
B.F. - Denotes Back Face
F.F. - Denotes Front Face
- See sheet 20 of 37 for Section, Details, and Bill of Materials.



TOP PLAN

ANCHOR BOLT LAYOUT



FOOTING PLAN

FILE NAME =	USER NAME =	DESIGNED - DY	REVISED -	STATE OF ILLINOIS DEPARTMENT OF TRANSPORTATION	WEST ABUTMENT - EASTBOUND STRUCTURE NO. 006-0020 EB AND 006-0021 WB	F.A.I. RTE.	SECTION	COUNTY	TOTAL SHEETS	SHEET NO.	
TYLIN INTERNATIONAL	PLOT SCALE =	CHECKED - PF	REVISED -			80	1006-5HBR-1, VBR(06-6)RS-3&I	BUREAU	24	85	
	PLOT DATE = 09/13/2011	DRAWN - DY	REVISED -			CONTRACT NO. 66686					
		CHECKED - PF	REVISED -			ILLINOIS FED. AID PROJECT					