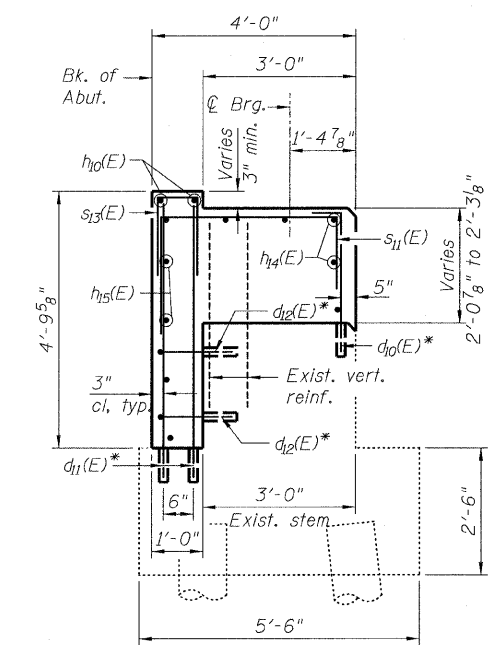


SECTION A-A

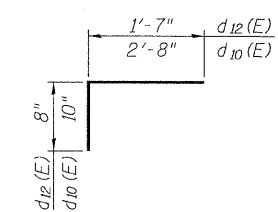
BARS s10(E), s11(E), s12(E), s13(E)

Bar	A	B	C
s10(E)	3'-6"	3'-7"	3'-7"
s11(E)	3'-6"	3'-3"	10"
s12(E)	3'-9 1/2"	3'-3"	10"
s13(E)	6"	2'-0"	2'-0"

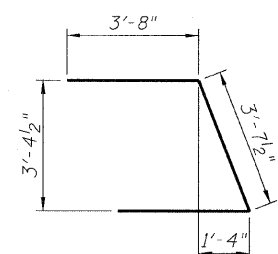


SECTION B-B

BAR n10(E)



BARS d12(E), d10(E)



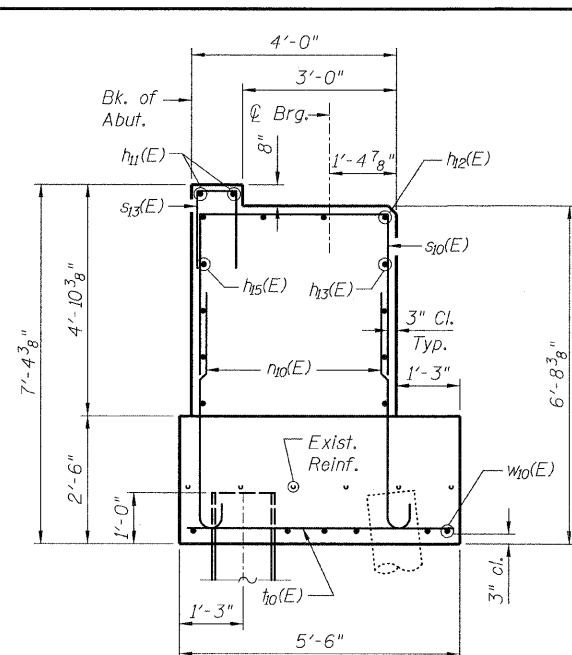
BAR u10(E)

BILL OF MATERIAL WEST ABUTMENT

Bar	No.	Size	Length	Shape
d10(E)	38	#5	3'-6"	┌
d11(E)	76	#5	5'-4"	—
d2(E)	76	#4	2'-3"	┌
h10(E)	2	#5	36'-4"	—
h11(E)	2	#5	13'-6"	—
h12(E)	4	#5	13'-5"	—
h13(E)	4	#5	8'-1"	—
h14(E)	6	#5	37'-5"	—
h15(E)	4	#5	46'-0"	—
h16(E)	16	#5	9'-0"	—
h17(E)	36	#6	11'-9"	—
n10(E)	19	#5	6'-7"	┌
s10(E)	9	#5	10'-8"	—
s11(E)	38	#5	7'-7"	—
s12(E)	2	#5	7'-11"	—
s13(E)	47	#5	4'-6"	—
u10(E)	6	#5	10'-11"	┌
v10(E)	10	#5	11'-6"	—
v11(E)	10	#5	12'-4"	—
w10(E)	6	#5	9'-7"	—
Reinforcement Bars, Epoxy Coated			POUND	3,290
Concrete Structures			CU YD	31.4
Furnishing Steel Piles HP14x73			FOOT	25
Driving Piles			FOOT	25
Structure Excavation			CU YD	131

FIELD CUTTING DIAGRAM

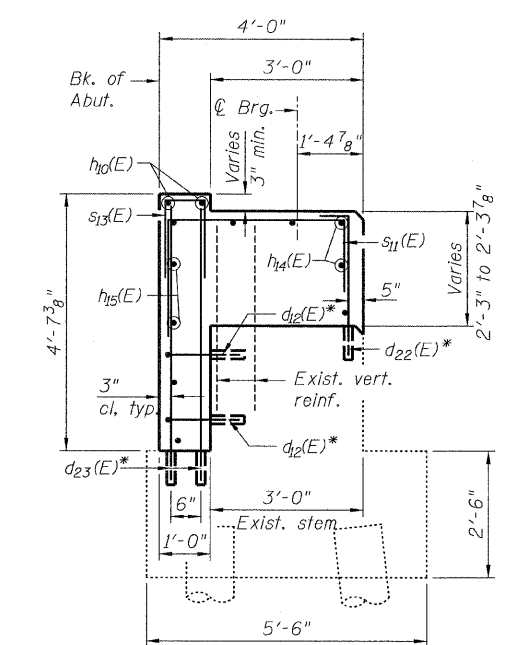
Order v10(E) & v11(E) bars full length. Cut to fit as shown and use remainder of bars in other face.



SECTION A-A

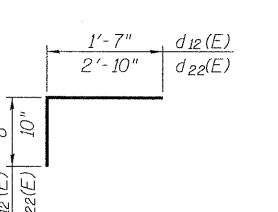
BARS s10(E), s11(E), s12(E), s13(E), s14(E)

Bar	A	B	C
s10(E)	3'-6"	3'-7"	3'-7"
s11(E)	3'-6"	3'-3"	10"
s12(E)	3'-9 1/2"	3'-3"	10"
s13(E)	6"	2'-0"	2'-0"
s14(E)	3'-6"	2'-0"	2'-0"

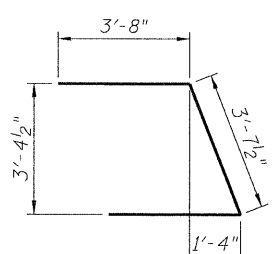


SECTION B-B

BAR n10(E)



BARS d12(E), d22(E)



BAR u10(E)

BILL OF MATERIAL EAST ABUTMENT

Bar	No.	Size	Length	Shape
d2(E)	38	#5	3'-8"	┌
d23(E)	76	#5	5'-2"	—
d2(E)	76	#4	2'-3"	┌
h10(E)	2	#5	36'-4"	—
h11(E)	2	#5	13'-6"	—
h12(E)	4	#5	13'-5"	—
h13(E)	4	#5	8'-1"	—
h14(E)	6	#5	37'-5"	—
h15(E)	4	#5	46'-0"	—
h16(E)	16	#5	9'-0"	—
h17(E)	38	#6	11'-9"	—
h3(E)	4	#5	30'-0"	—
n10(E)	19	#5	6'-7"	┌
s10(E)	9	#5	10'-8"	—
s11(E)	38	#5	7'-7"	—
s12(E)	2	#5	7'-11"	—
s13(E)	47	#5	4'-6"	—
s14(E)	31	#5	7'-6"	—
u10(E)	6	#5	10'-11"	┌
v14(E)	10	#5	12'-0"	—
v15(E)	10	#5	12'-10"	—
w10(E)	6	#5	9'-7"	—
Reinforcement Bars, Epoxy Coated			POUND	3,700
Concrete Structures			CU YD	31.5
Furnishing Steel Piles HP14x73			FOOT	25
Driving Piles			FOOT	25
Structure Excavation			CU YD	146

FIELD CUTTING DIAGRAM

Order v14(E) & v15(E) bars full length. Cut to fit as shown and use remainder of bars in other face.

FILE NAME =	USER NAME =	DESIGNED - SP	REVISED -
TYLIN INTERNATIONAL		CHECKED - PF	REVISED -
	PLOT SCALE =	DRAWN - SP	REVISED -
	PLOT DATE = 09/13/2011	CHECKED - PF	REVISED -

STATE OF ILLINOIS  
DEPARTMENT OF TRANSPORTATION

ABUTMENT DETAILS - WESTBOUND  
STRUCTURE NO. 006-0020 EB AND 006-0021 WB

F.A.I. RTE.	SECTION	COUNTY	TOTAL SHEETS	SHEET NO.
80	1006-51HBR-1.VBR(06-6)RS-3&I		249	90
BUREAU			CONTRACT NO. 66686	
ILLINOIS FED. AID PROJECT				

SHEET NO. 23 OF 37 SHEETS