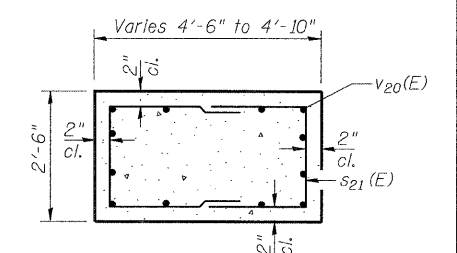
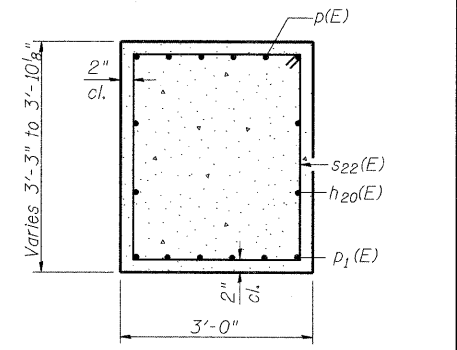


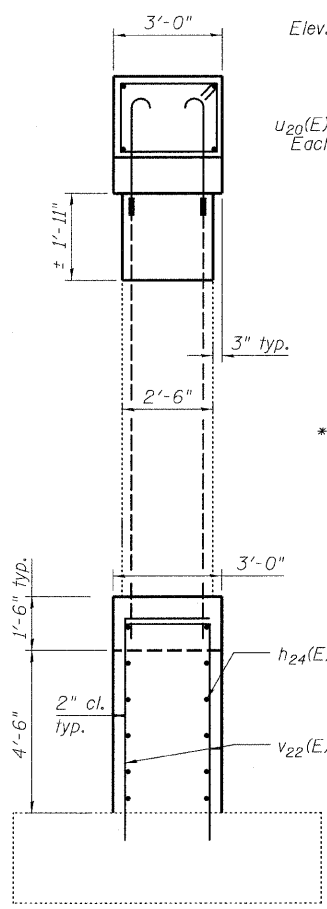
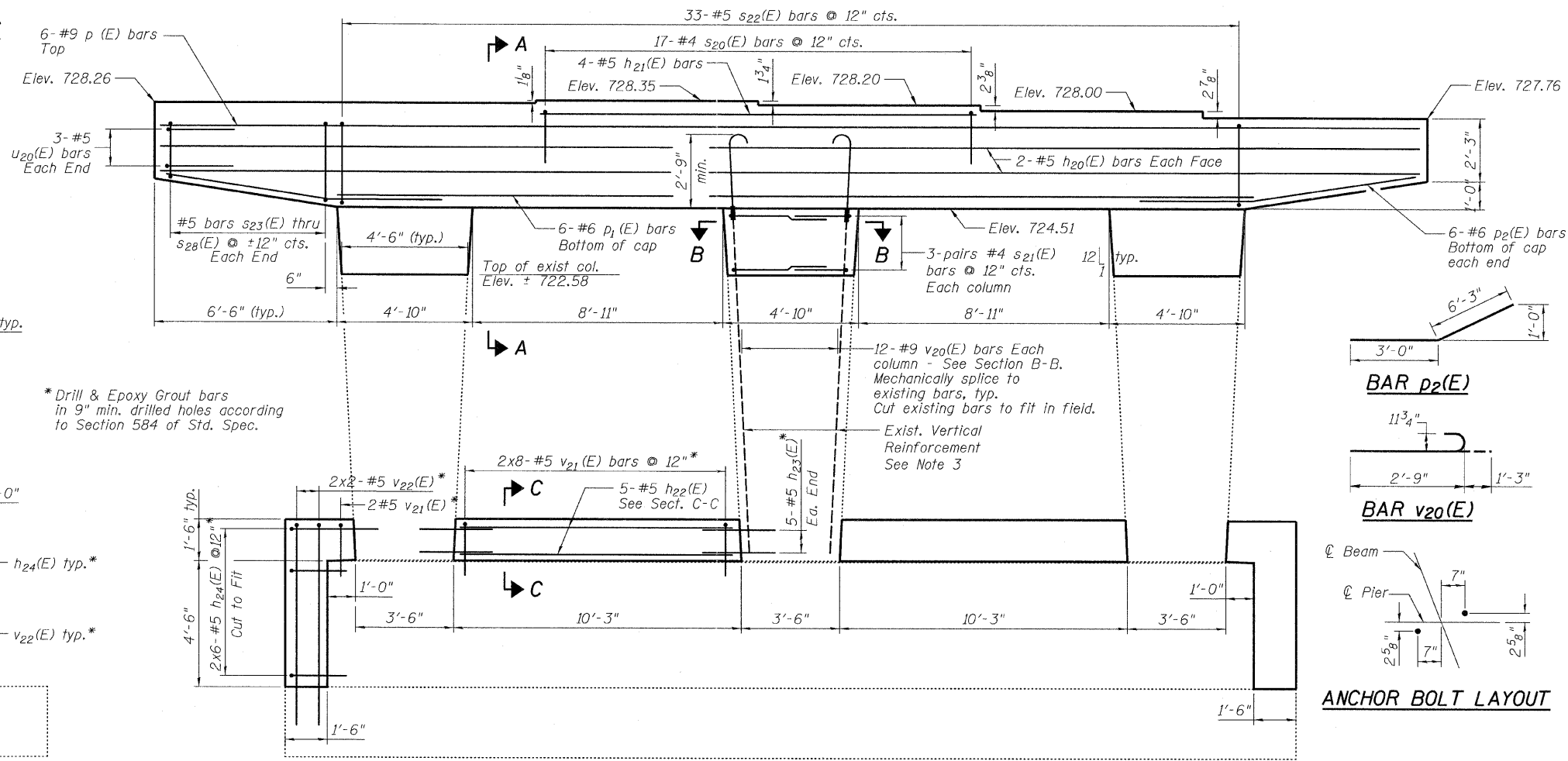
SECTION C-C



SECTION B-B



SECTION A-A



END VIEW

A, B & C DIMENSIONS

Bar	A	B	C
s20(E)	2'-8"	2'-6"	2'-6"
s21(E)	2'-2"	3'-9"	3'-9"
u20(E)	2'-7"	3'-8"	3'-8"
h24(E)	2'-1"	2'-2"	
v21(E)	2'-1"	2'-2"	
v22(E)	6'-6"	2'-2"	

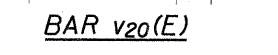
D DIMENSIONS

Bar	D
s22(E)	2'-11"
s23(E)	2'-10"
s24(E)	2'-8"
s25(E)	2'-6 1/2"
s26(E)	2'-4 1/2"
s27(E)	2'-2 1/2"
s28(E)	2'-1"

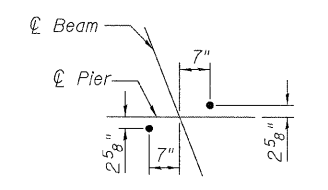
ELEVATION
(Looking East)



BAR p2(E)



BAR v20(E)



ANCHOR BOLT LAYOUT

BILL OF MATERIAL

Bar	No.	Size	Length	Shape
h20(E)	4	#5	45'-0"	—
h21(E)	4	#5	15'-6"	—
h22(E)	10	#5	9'-11"	—
h23(E)	20	#5	3'-4"	—
h24(E)	24	#5	4'-3"	—
p(E)	6	#9	45'-0"	—
p1(E)	6	#6	32'-0"	—
p2(E)	12	#6	9'-3"	—
s20(E)	17	#4	7'-8"	□
s21(E)	18	#4	9'-8"	□
s22(E)	33	#5	12'-1"	□
s23(E)	2	#5	11'-11"	□
s24(E)	2	#5	11'-7"	□
s25(E)	2	#5	11'-4"	□
s26(E)	2	#5	11'-0"	□
s27(E)	2	#5	10'-8"	□
s28(E)	2	#5	10'-5"	□
u20(E)	6	#5	9'-11"	□
v20(E)	36	#9	4'-0"	C
v21(E)	36	#5	4'-3"	—
v22(E)	8	#5	8'-8"	—
Reinforcement Bars, Epoxy Coated		POUND	3,460	
Concrete Structures		CU YD	24.8	
Concrete Sealer		SQ FT	840	
Structure Excavation		CU YD	6.2	

NOTES:

1. Pour steps monolithically with cap.
2. Space reinforcement in cap to miss anchor bolts.
3. Existing vertical reinforcement shall be cleaned and incorporated into the new construction. Cost included with Concrete Removal.
4. Concrete Sealer shall be applied to all new concrete surfaces.

FILE NAME =
TYLIN INTERNATIONAL

USER NAME =
DESIGNED - EH
CHECKED - PF
DRAWN - EH
PLOT DATE = 09/13/2011

REVISIONS:
REVISIONS -
REVISIONS -
REVISIONS -
REVISIONS -

STATE OF ILLINOIS
DEPARTMENT OF TRANSPORTATION

PIER 1 - EASTBOUND
STRUCTURE NO. 006-0020 EB AND 006-0021 WB
SHEET NO. 25 OF 37 SHEETS

F.A.I. RTE. SECTION COUNTY TOTAL SHEETS SHEET NO.
80 1006-5HBR-1, VBR(06-6)RS-3&1 BUREAU 249 42
CONTRACT NO. 66686
ILLINOIS FED. AID PROJECT