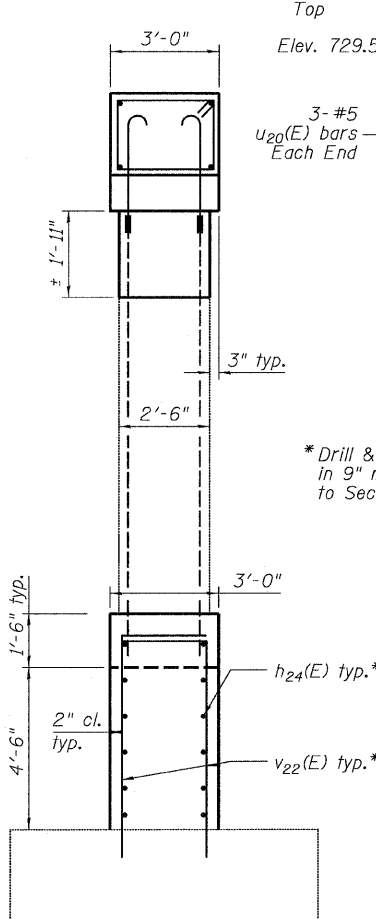
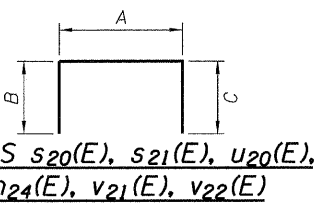


**SECTION C-C**



**END VIEW**



**A, B & C DIMENSIONS**

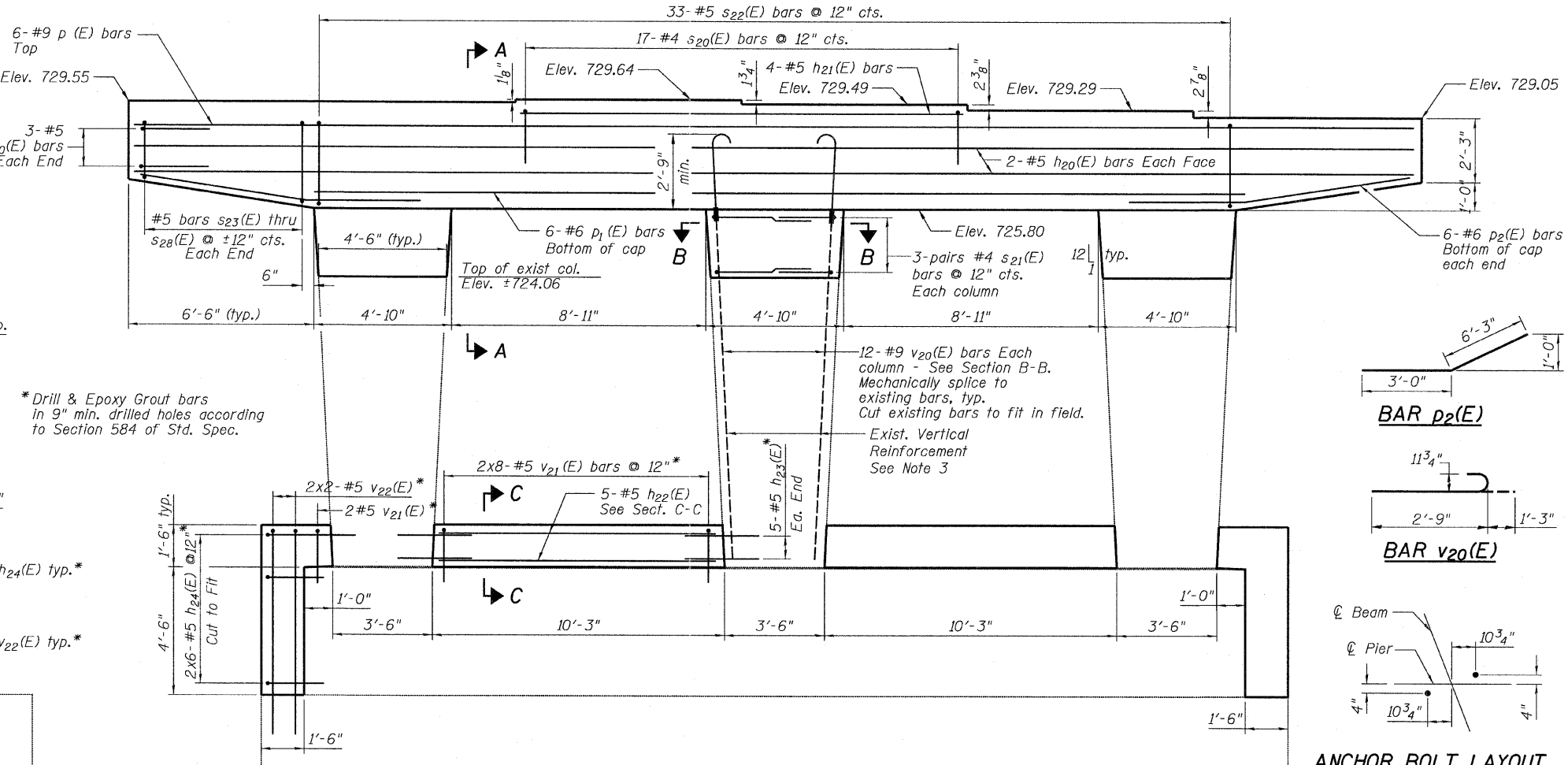
Bar	A	B	C
s20(E)	2'-8"	2'-6"	2'-6"
s21(E)	2'-2"	3'-9"	3'-9"
u20(E)	2'-7"	3'-8"	3'-8"
h24(E)	2'-1"	2'-2"	
v21(E)	2'-1"	2'-2"	
v22(E)	6'-6"	2'-2"	

**D DIMENSIONS**

Bar	D
s22(E)	2'-11"
s23(E)	2'-10"
s24(E)	2'-8"
s25(E)	2'-6 1/2"
s26(E)	2'-4 1/2"
s27(E)	2'-2 1/2"
s28(E)	2'-1"

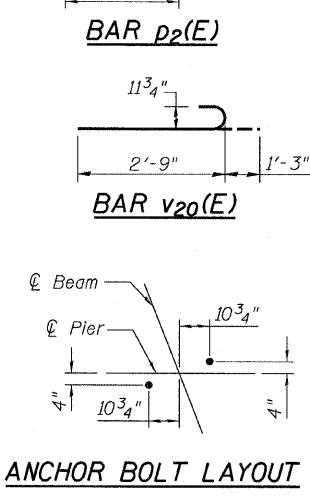
**ELEVATION**

(Looking East)



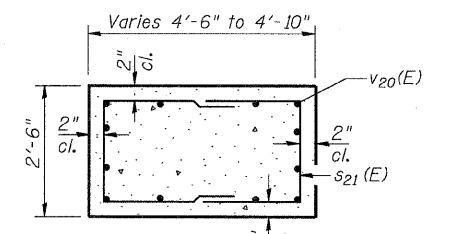
\* Drill & Epoxy Grout bars in 9" min. drilled holes according to Section 584 of Std. Spec.

Exist. Vertical Reinforcement See Note 3

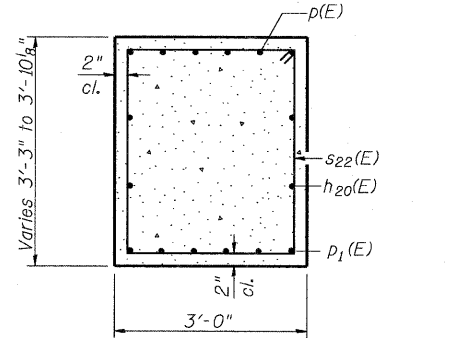


**NOTES:**

1. Pour steps monolithically with cap.
2. Space reinforcement in cap to miss anchor bolts.
3. Existing vertical reinforcement shall be cleaned and incorporated into the new construction. Cost included with Concrete Removal.
4. Concrete Sealer shall be applied to all new concrete surfaces



**SECTION B-B**



**SECTION A-A**

**BILL OF MATERIAL**

Bar	No.	Size	Length	Shape
h20(E)	4	#5	45'-0"	
h21(E)	4	#5	15'-6"	
h22(E)	10	#5	9'-11"	
h23(E)	20	#5	3'-4"	
h24(E)	24	#5	4'-3"	
p(E)	6	#9	45'-0"	
p1(E)	6	#6	32'-0"	
p2(E)	12	#6	9'-3"	
s20(E)	17	#4	7'-8"	
s21(E)	18	#4	9'-8"	
s22(E)	33	#5	12'-1"	
s23(E)	2	#5	11'-11"	
s24(E)	2	#5	11'-7"	
s25(E)	2	#5	11'-4"	
s26(E)	2	#5	11'-0"	
s27(E)	2	#5	10'-8"	
s28(E)	2	#5	10'-5"	
u20(E)	6	#5	9'-11"	
v20(E)	36	#9	4'-0"	
v21(E)	36	#5	4'-3"	
v22(E)	8	#5	8'-8"	
Reinforcement Bars, Epoxy Coated			POUND	3,460
Concrete Structures			CU YD	24.5
Concrete Sealer			SQ FT	840
Structure Excavation			CU YD	6.0

FILE NAME =  
**TYLIN INTERNATIONAL**

USER NAME =  
DESIGNED - EH  
CHECKED - PF  
DRAWN - EH  
CHECKED - PF

REVISIONS  
REVISED -  
REVISED -  
REVISED -  
REVISED -

**STATE OF ILLINOIS**  
**DEPARTMENT OF TRANSPORTATION**

**PIER 2 - EASTBOUND**  
**STRUCTURE NO. 006-0020 EB AND 006-0021 WB**

F.A.I. RTE.	SECTION	COUNTY	TOTAL SHEETS	SHEET NO.
80	106-SHBR-1, VBR/06-61RS-3A1	BUREAU	249	93
CONTRACT NO. 66686				

SHEET NO. 26 OF 37 SHEETS

ILLINOIS FED. AID PROJECT