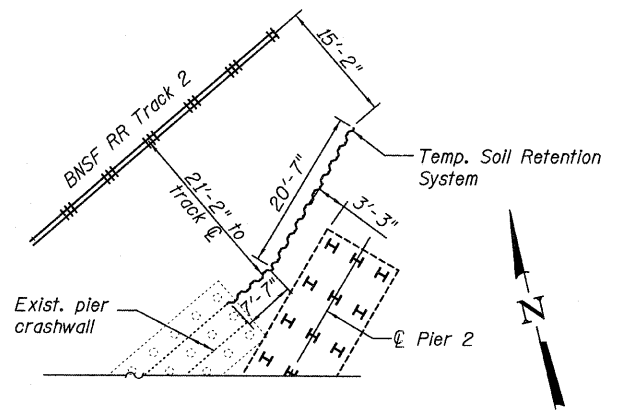
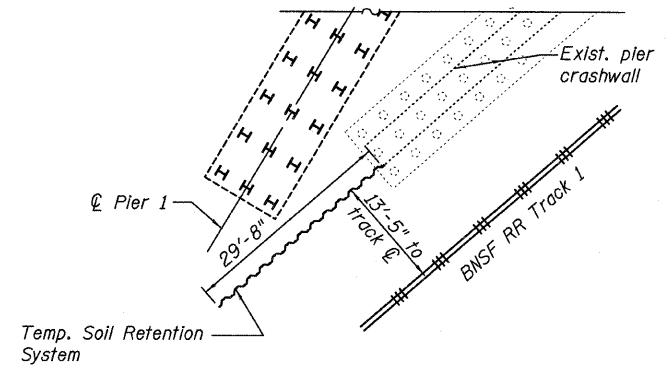


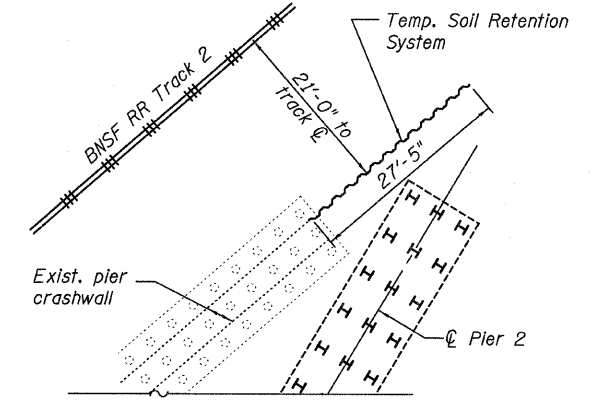
PLAN-TEMPORARY SOIL RETENTION AT PIER 1, W.B. BRIDGE



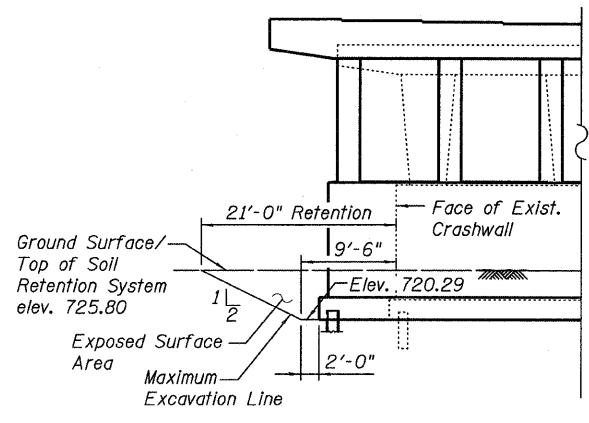
PLAN-TEMPORARY SOIL RETENTION AT PIER 2, W.B. BRIDGE



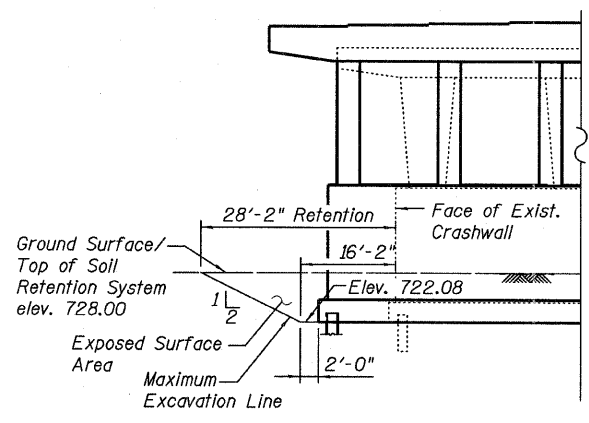
PLAN-TEMPORARY SOIL RETENTION AT PIER 1, E.B. BRIDGE



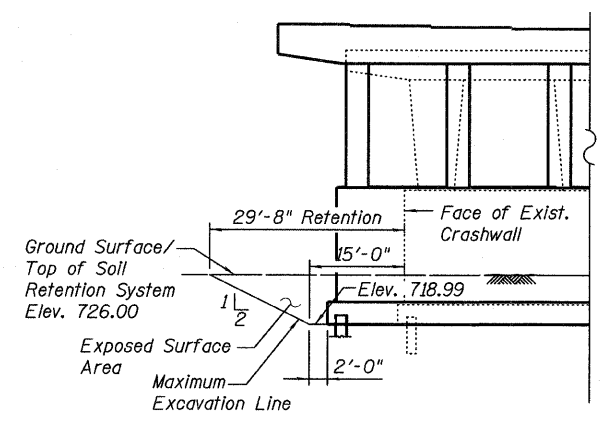
PLAN-TEMPORARY SOIL RETENTION AT PIER 2, E.B. BRIDGE



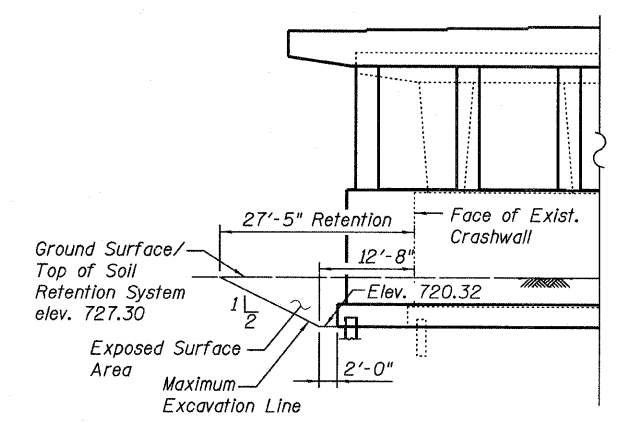
ELEVATION-TEMPORARY SOIL RETENTION AT PIER 1, W.B. BRIDGE (Looking West)



ELEVATION-TEMPORARY SOIL RETENTION AT PIER 2, W.B. BRIDGE (Looking East)



ELEVATION-TEMPORARY SOIL RETENTION AT PIER 1, E.B. BRIDGE (Looking West)



ELEVATION-TEMPORARY SOIL RETENTION AT PIER 2, E.B. BRIDGE (Looking East)

BILL OF MATERIAL

| ITEM | UNIT | E.B. Bridge | W.B. Bridge | TOTAL |
|---------------------------------|---------|-------------|-------------|-------|
| Temporary Soil Retention System | Sq. Ft. | 292 | 214 | 506 |

NOTES:

A cantilevered sheet piling design does not appear feasible and additional members or other retention systems may be necessary. The Contractor shall submit a temporary soil retention system design including plan details and calculations for review and acceptance by the Engineer.