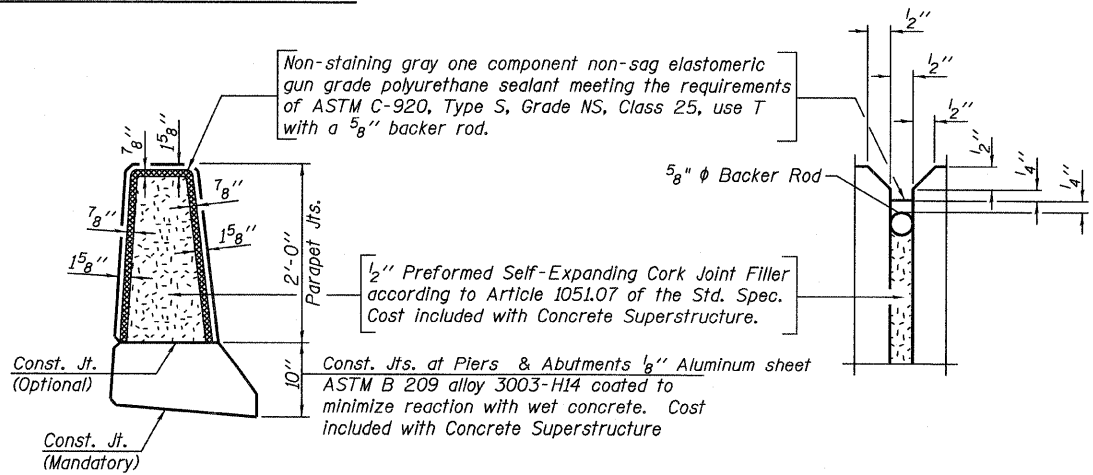
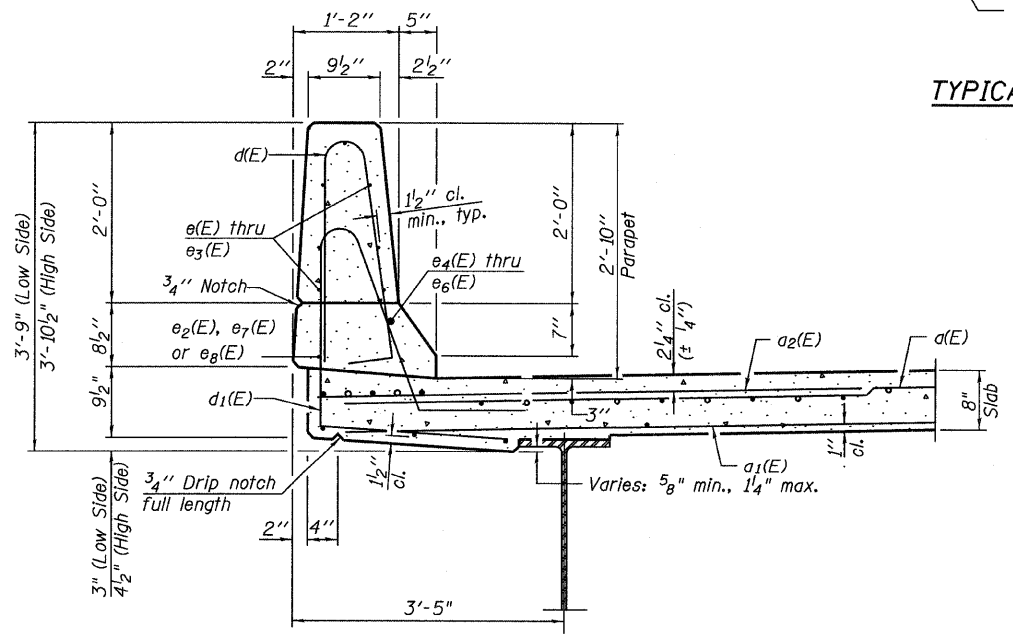


TYPICAL INSIDE ELEVATION OF THE PARAPET



MINIMUM BAR LAP

#4 bar = 2'-0"
#8 bar = 5'-2"

LEGEND:
F.F. - Denotes Front Face
B.F. - Denotes Back Face

FILE NAME =	USER NAME =	DESIGNED - DY	REVISED -
TYLIN INTERNATIONAL		CHECKED - PF	REVISED -
		DRAWN - DY	REVISED -
		CHECKED - PF	REVISED -
	PLOT DATE = 09/13/2011		

STATE OF ILLINOIS
DEPARTMENT OF TRANSPORTATION

SUPERSTRUCTURE DETAILS 2
STRUCTURE NO. 006-0176 EB AND 006-0177 WB

F.A.I. RTE.	SECTION	COUNTY	TOTAL SHEETS	SHEET NO.
80	[006-5HBR-1.VBR1(06-6)]RS-3&1	BUREAU	247	118
			CONTRACT NO. 66686	
ILLINOIS FED. AID PROJECT				

SHEET NO. 14 OF 43 SHEETS