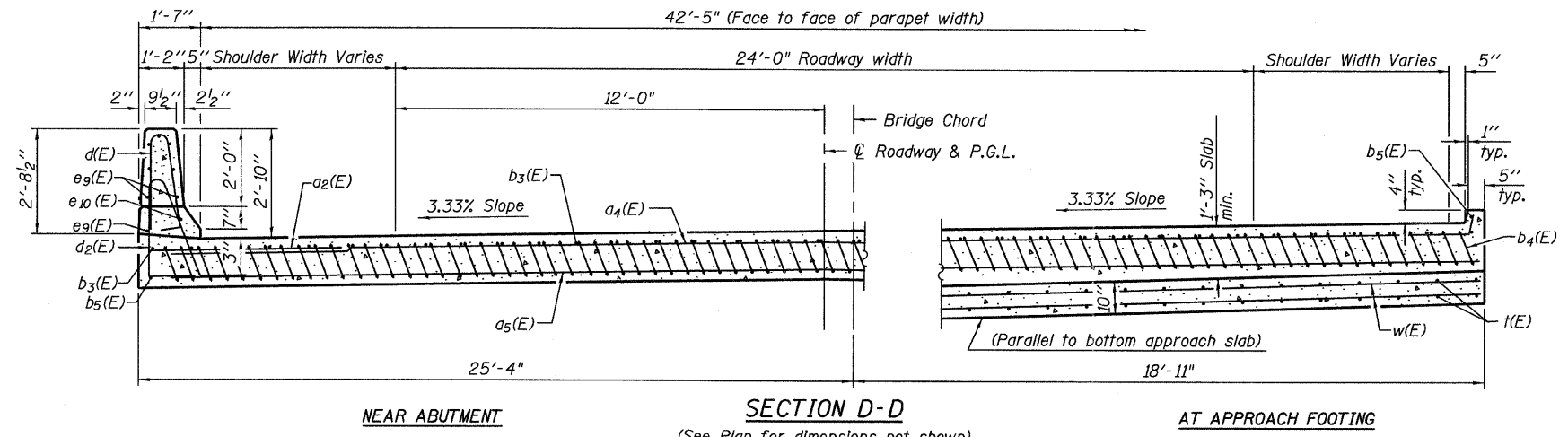


SECTION C-C

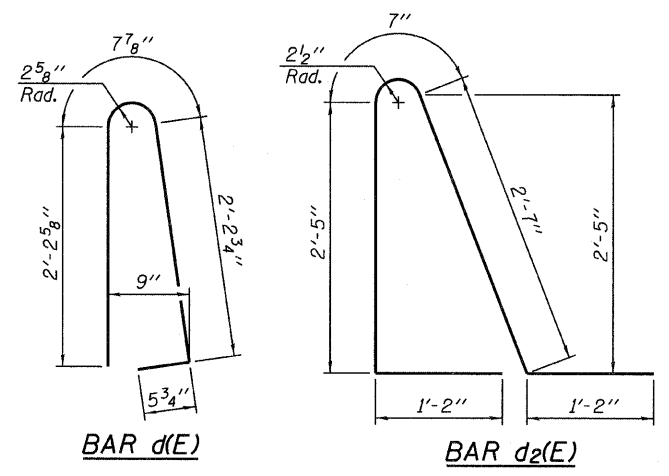
Notes:
 See sheet 18 of 43 for Detail A and View B-B.
 Approach slab and parapet concrete shall be paid for as Concrete Superstructure.
 Approach footing concrete shall be paid for as Concrete Structures.
 Reinforcement shall be paid for as Reinforcement Bars, Epoxy Coated.
 For v(E) bar details, see sheet 15 of 43.
 The approach footing maximum applied service bearing pressure (Qmax) = 2.0 ksf.
 For bar splicer details, see sheet 33 of 43.
 Cost of excavation for approach footing included with Concrete Structures.
 For Porous Granular Embankment (Special) and drainage treatment details, see sheet 2 of 43.
 For additional parapet details, see sheet 14 of 43.
 The quantities for Bridge Deck Grooving and Protective Coat are included in the quantities on Sheet 2 of 43.



SECTION D-D

NEAR ABUTMENT

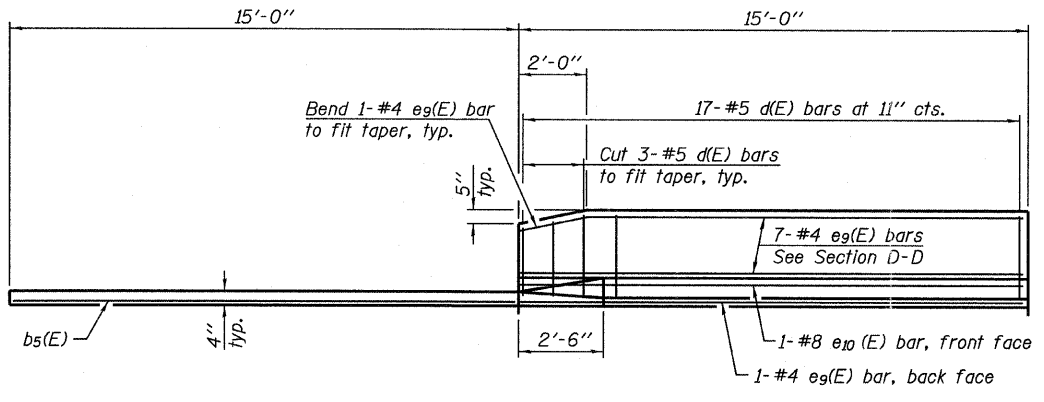
AT APPROACH FOOTING



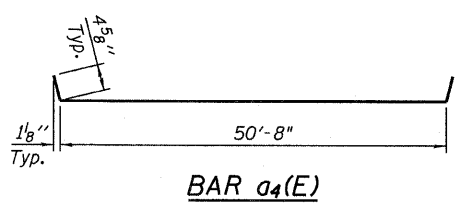
BAR d(E)

BAR d2(E)

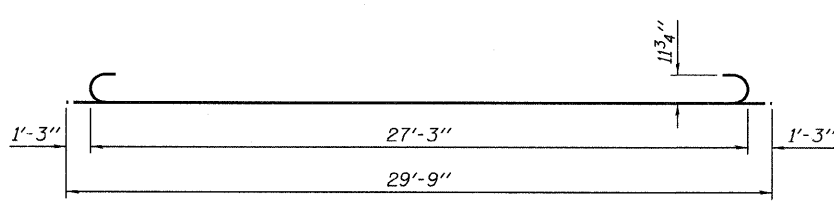
* Tilt #9 b4(E) bars as required to maintain clearance.
 *** Cost included with Concrete Superstructure.



VIEW E-E



BAR a4(E)



BAR b4(E)

TWO APPROACHES
 BILL OF MATERIAL

Bar	No.	Size	Length	Shape
a2(E)	48	#6	6'-6"	—
a4(E)	50	#4	51'-6"	—
a5(E)	92	#5	50'-8"	—
b3(E)	70	#4	29'-8"	—
b4(E)	206	#9	29'-9"	—
b5(E)	8	#4	14'-8"	—
d(E)	68	#5	5'-7"	—
d2(E)	68	#5	7'-11"	—
e9(E)	32	#4	14'-8"	—
e10(E)	4	#8	14'-8"	—
t(E)	180	#4	11'-2"	—
w(E)	80	#5	50'-8"	—
Concrete Superstructure		Cu. Yd.	133.4	
Concrete Structures		Cu. Yd.	31.5	
(1) Reinforcement Bars, Epoxy Coated		Pound	36,370	

(1) 5,580 pounds of total weight is considered Reinforcement Bars, Epoxy Coated for Substructure.

(Sheet 2 of 2)

FILE NAME =	USER NAME =	DESIGNED - DY	REVISED -	STATE OF ILLINOIS DEPARTMENT OF TRANSPORTATION	BRIDGE APPROACH SLAB DETAILS - WESTBOUND STRUCTURE NO. 006-0176 EB AND 006-0177 WB	F.A.I. RTE.	SECTION	COUNTY	TOTAL SHEETS	SHEET NO.	
TYLIN INTERNATIONAL		CHECKED - PF	REVISED -			80	1106-5HBR-1.VBR06-6JRS-3&1	BUREAU	249	103	
	PLOT SCALE =	DRAWN - DY	REVISED -			CONTRACT NO. 66686					
	PLOT DATE = 09/13/2011	CHECKED - PF	REVISED -			SHEET NO. 19 OF 43 SHEETS					