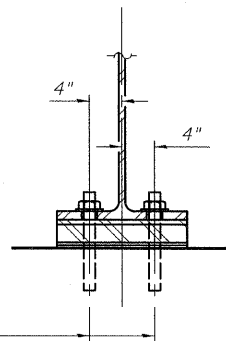
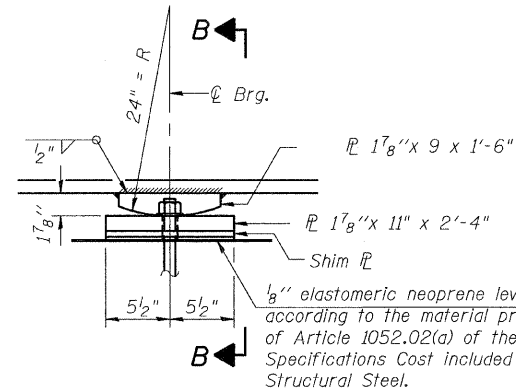


ELEVATION AT ABUTMENT



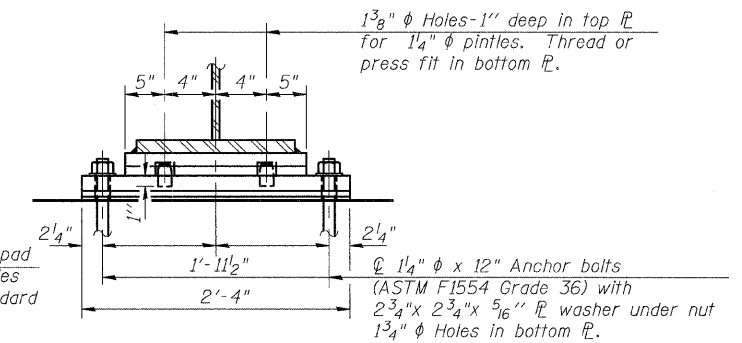
SECTION A-A

FIXED BEARING

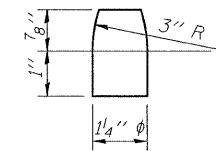


ELEVATION AT PIER

FIXED BEARING



SECTION B-B



PINTLE

BILL OF MATERIAL

ITEM	UNIT	EB	WB	TOTAL
Anchor Bolts, 1"	Each	24	24	48
Anchor Bolts, 1 1/4"	Each	24	24	48

Notes:

Anchor bolts shall be ASTM F1554 all-thread (or an Engineer-approved alternate material) of the grade(s) and diameter(s) specified. ASTM A307 Grade C anchor bolts may be used in lieu of ASTM F1554 Grade 36 (Fy=36ksi). The corresponding specified grade of AASHTO M314 anchor bolts may be used in lieu of ASTM F1554.

Anchor bolts at fixed bearings may be either cast in place or installed in holes drilled after the supported member is in place.

Drilled and set anchor bolts shall be installed according to Article 521.06 of the Standard Specifications.

Two 3/8 in. adjusting shims shall be provided for each bearing in addition to all other plates and shims and placed as shown on bearing details.

FILE NAME =	USER NAME =	DESIGNED - DY	REVISED -	STATE OF ILLINOIS DEPARTMENT OF TRANSPORTATION	BEARING DETAILS STRUCTURE NO. 006-0176 EB AND 006-0177 WB	F.A.I. R.T.E.	SECTION	COUNTY	TOTAL SHEET NO.	
TYLIN INTERNATIONAL		CHECKED - PF	REVISED -			80	[(06-5)HR-1, VBR(06-6)]RS-3&1	BUREAU	249	127
PLOT SCALE =		DRAWN - DY	REVISED -			SHEET NO. 23 OF 43 SHEETS		CONTRACT NO. 66686		
PLOT DATE = 09/13/2011		CHECKED - PF	REVISED -			ILLINOIS FED. AID PROJECT				