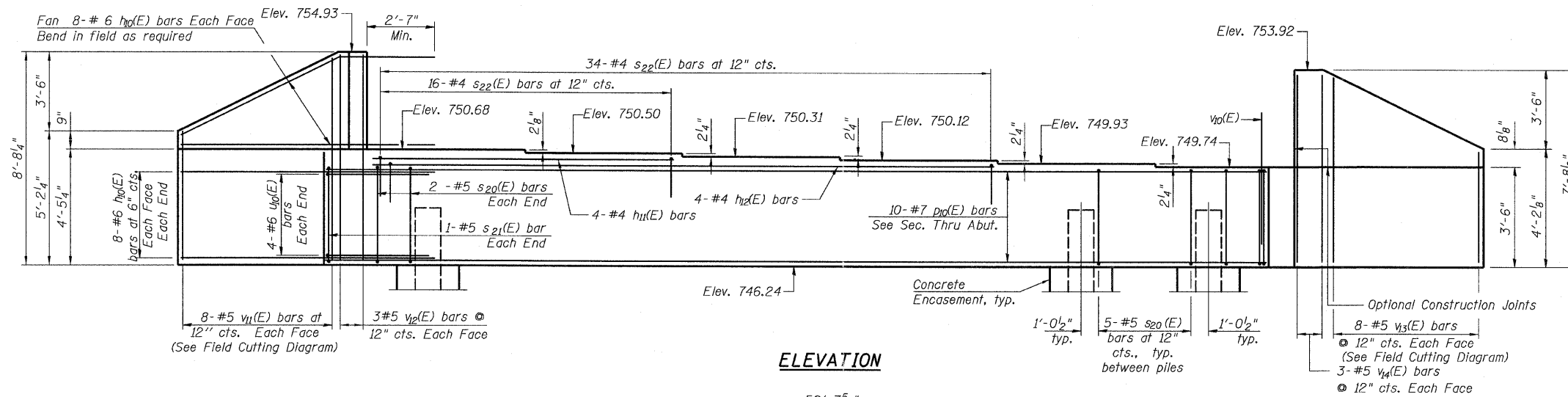
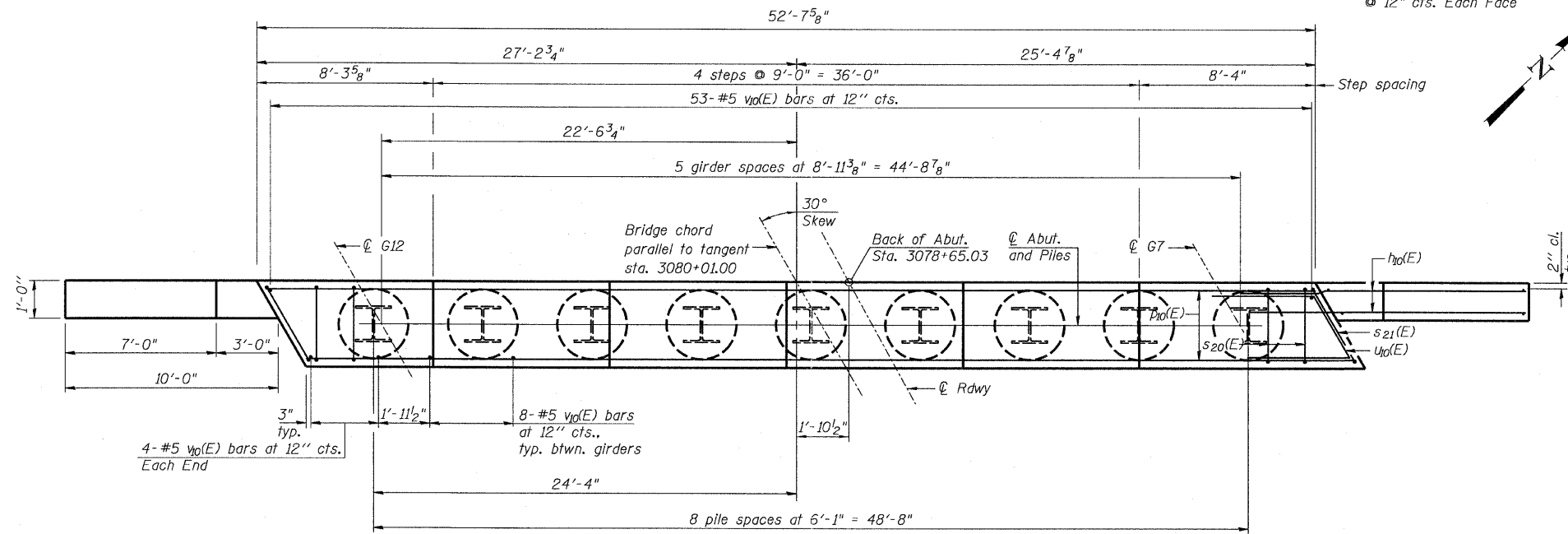


Notes:
Four steps monolithically with cap.



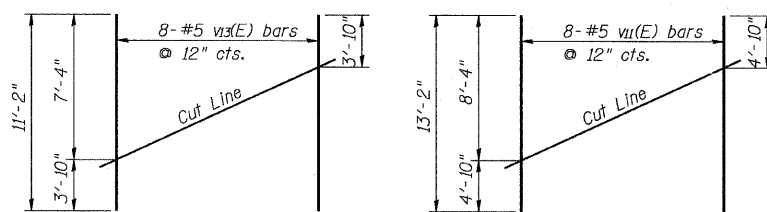
ELEVATION



PLAN

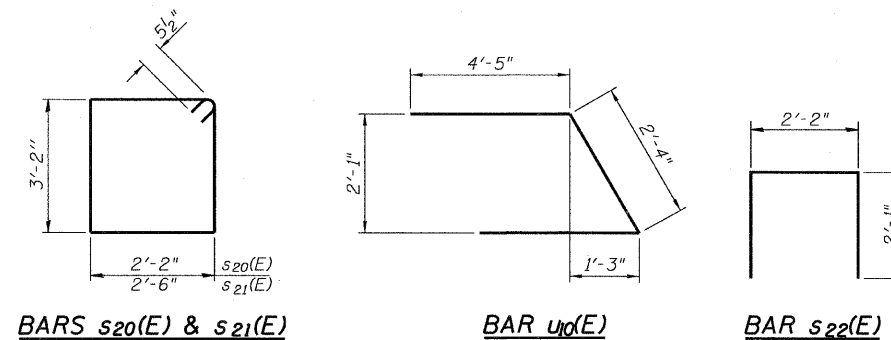
PILE DATA

Type: Steel HP 14x73
Nominal Required Bearing: 301 kips
Allowable Resistance Available: 100 kips
Est. Length: 48'-0"
No. Production Piles: 8
No. Test Piles: 1



FIELD CUTTING DIAGRAM

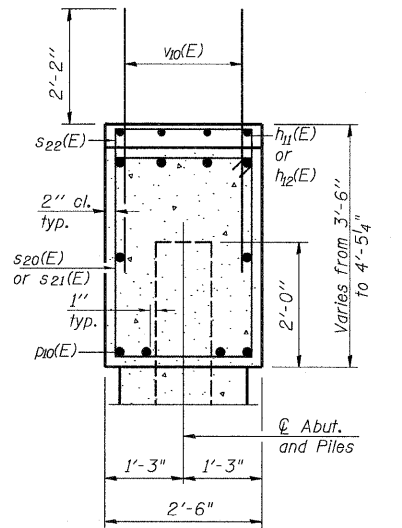
Order v11(E) & v13(E) full length. Cut as shown and use remainder of bars in opposite face.



BARS s20(E) & s21(E)

BAR v10(E)

BAR s22(E)

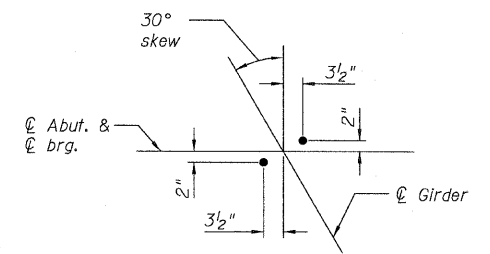


SEC. THRU ABUT.

BILL OF MATERIAL

Bar	No.	Size	Length	Shape
h10(E)	64	#6	12'-7"	—
h11(E)	4	#4	15'-6"	—
h12(E)	4	#4	33'-6"	—
p10(E)	10	#7	52'-3"	—
s20(E)	44	#5	11'-7"	□
s21(E)	2	#5	12'-3"	□
s22(E)	50	#4	6'-4"	□
v10(E)	8	#6	11'-2"	└
v11(E)	101	#5	4'-4"	—
v12(E)	8	#5	13'-2"	—
v13(E)	6	#5	8'-4"	—
v14(E)	8	#5	11'-2"	—
v14(E)	6	#5	7'-4"	—
Structure Excavation			Cu. Yd.	136
Concrete Structures			Cu. Yd.	24.5
Reinforcement Bars, Epoxy Coated			Pound	4,070
Furnishing Steel Piles, HP 14x73			Foot	384
Driving Piles			Foot	384
Test Pile, HP 14x73			Each	1
Concrete Encasement			Cu. Yd.	5.0

For details of piles and Concrete Encasement, see sheet 34 of 43.



ANCHOR BOLT LAYOUT

FILE NAME =	USER NAME =	DESIGNED - PF	REVISED -	STATE OF ILLINOIS DEPARTMENT OF TRANSPORTATION	WEST ABUTMENT - EASTBOUND STRUCTURE NO. 006-0176 EB AND 006-0177 WB	F.A.I. SECTION	COUNTY	TOTAL SHEETS	SHEET NO.	
TYLIN INTERNATIONAL		CHECKED - DY	REVISED -			80	LOG-5HBR-LVBR006-6JRS-3A1	BUREAU	249	128
	PLOT SCALE =	DRAWN - DY	REVISED -			CONTRACT NO. 66686				
	PLOT DATE = 09/13/2011	CHECKED - PF	REVISED -			ILLINOIS FED. AID PROJECT				

FILE#

FILE#