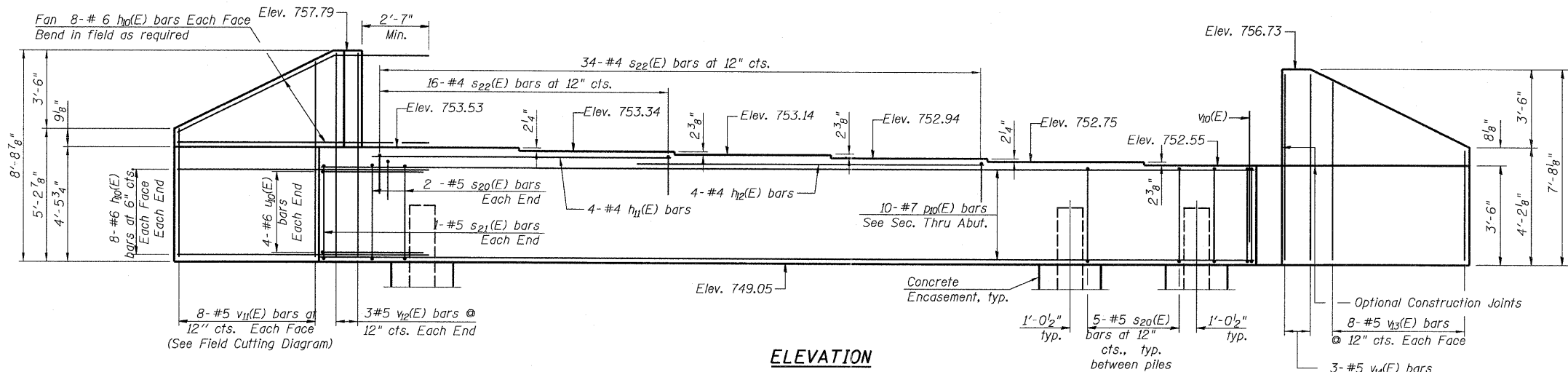
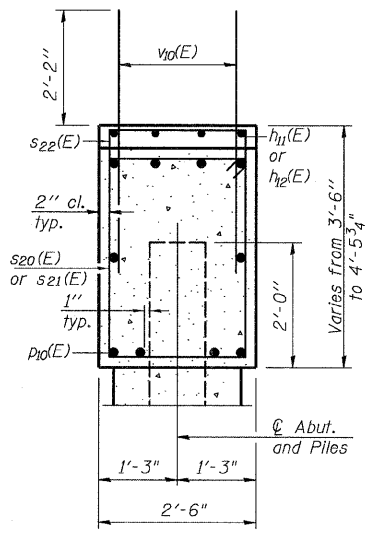


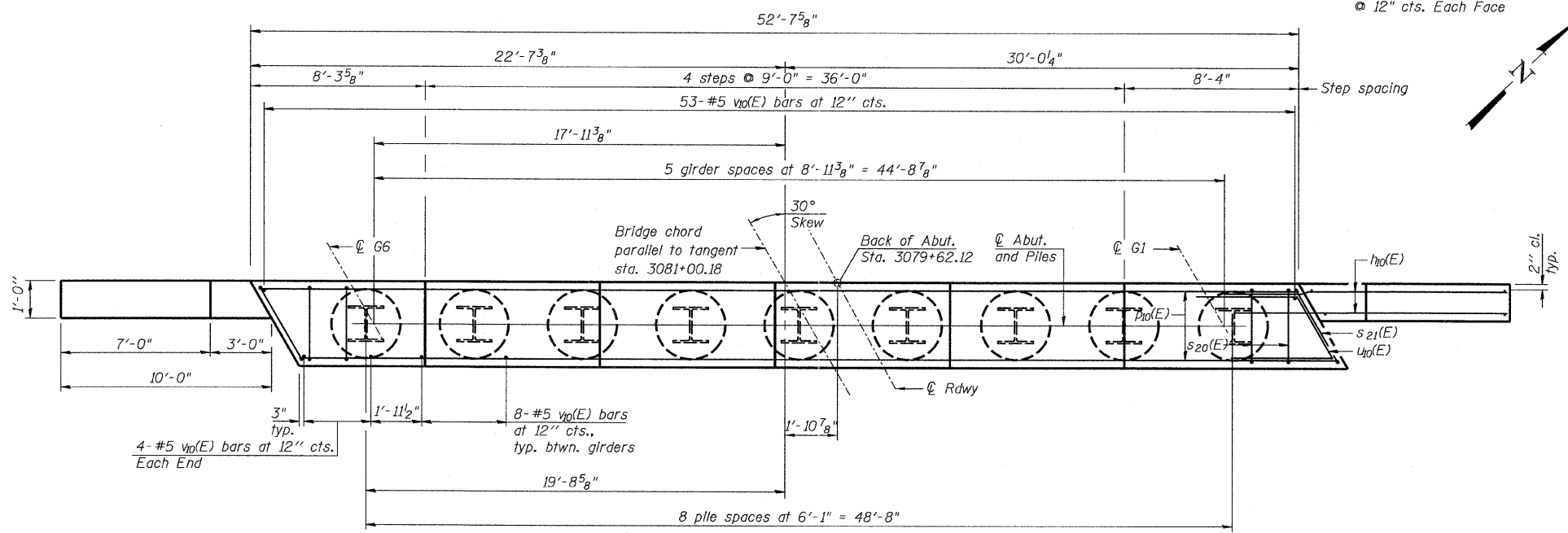
Notes:  
Four steps monolithically with cap.



**ELEVATION**



**SEC. THRU ABUT.**



**PLAN**

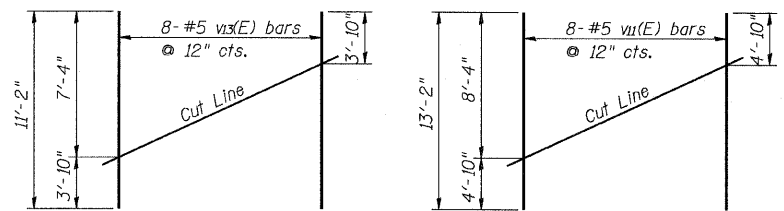
**BILL OF MATERIAL**

Bar	No.	Size	Length	Shape
h10(E)	64	#6	12'-7"	—
h11(E)	4	#4	15'-6"	—
h12(E)	4	#4	33'-6"	—
p10(E)	10	#7	52'-3"	—
s20(E)	44	#5	11'-7"	□
s21(E)	2	#5	12'-3"	□
s22(E)	50	#4	6'-4"	□
u10(E)	8	#6	11'-2"	┘
v10(E)	101	#5	4'-4"	—
v11(E)	8	#5	13'-2"	—
v12(E)	6	#5	8'-4"	—
v13(E)	8	#5	11'-2"	—
v14(E)	6	#5	7'-4"	—
Structure Excavation			Cu. Yd.	126
Concrete Structures			Cu. Yd.	24.6
Reinforcement Bars, Epoxy Coated			Pound	4,070
Furnishing Steel Piles, HP 14x73			Foot	392
Driving Piles			Foot	392
Test Pile, HP 14x73			Each	1
Concrete Encasement			Cu. Yd.	5.0

For details of piles and Concrete Encasement, see sheet 34 of 43.

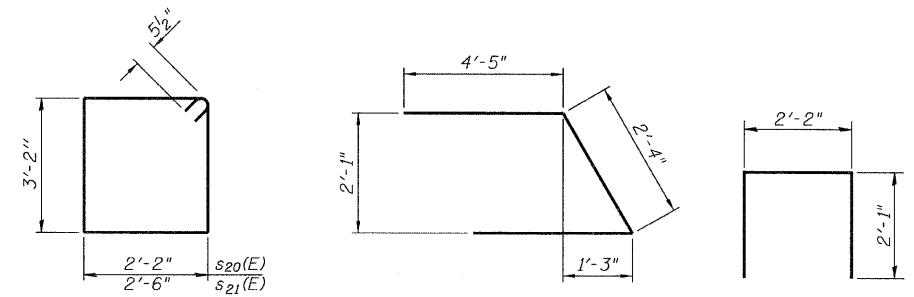
**PILE DATA**

Type: Steel HP 14x73  
Nominal Required Bearing: 318 kips  
Allowable Resistance Available: 106 kips  
Est. Length: 49'-0"  
No. Production Piles: 8  
No. Test Piles: 1



**FIELD CUTTING DIAGRAM**

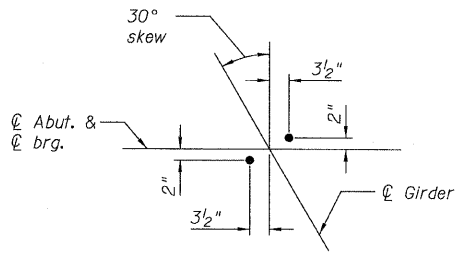
Order v11(E) & v13(E) full length. Cut as shown and use remainder of bars in opposite face.



**BARS s20(E) & s21(E)**

**BAR u10(E)**

**BAR s22(E)**



**ANCHOR BOLT LAYOUT**

FILE NAME =	USER NAME =	DESIGNED - PF	REVISED -	STATE OF ILLINOIS DEPARTMENT OF TRANSPORTATION	WEST ABUTMENT - WESTBOUND STRUCTURE NO. 006-0176 EB AND 006-0177 WB	F.A.I. RTE.	SECTION	COUNTY	TOTAL SHEETS	SHEET NO.	
TYLIN INTERNATIONAL		CHECKED - DY	REVISED -			80	106-518R-1VBR06-6JRS-3A1	BUREAU	249	130	
	PLOT SCALE =	DRAWN - DY	REVISED -			CONTRACT NO. 66686					
	PLOT DATE = 09/13/2011	CHECKED - PF	REVISED -			ILLINOIS FED. AID PROJECT					

#FILE#

#FILES

#FILES