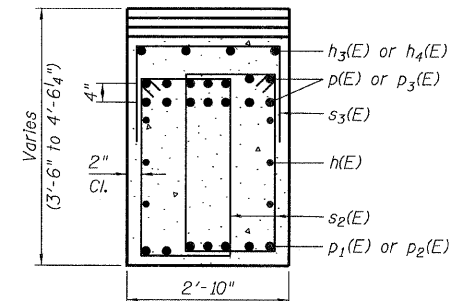
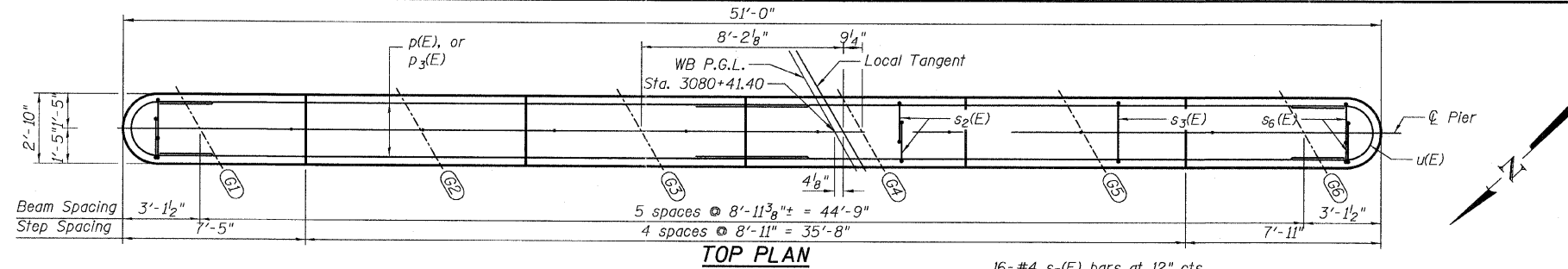


NOTES:

1. Space reinforcement in cap to miss anchor bolts.
2. Pour steps monolithically with cap.
3. For details of piles, see sheet 34 of 43.

PILE DATA

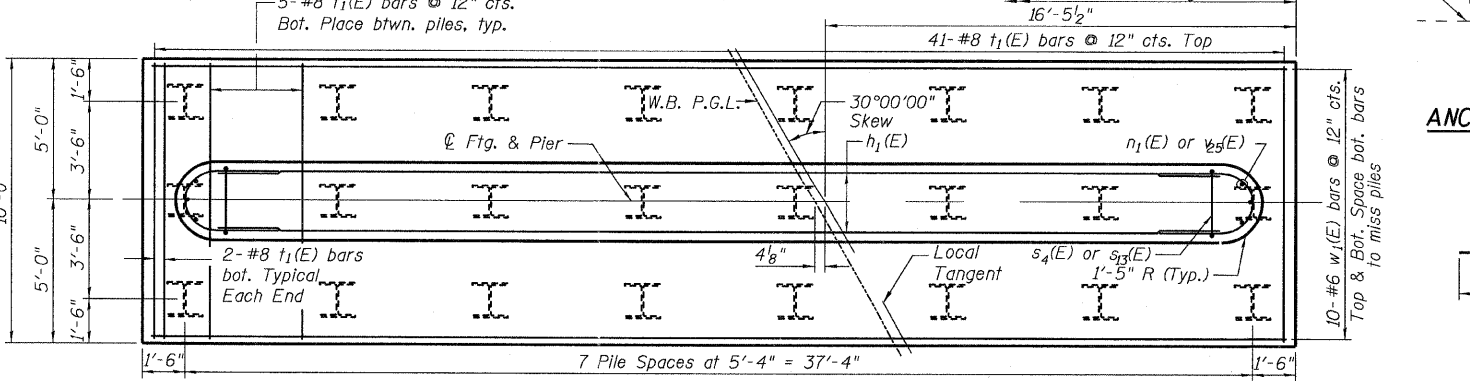
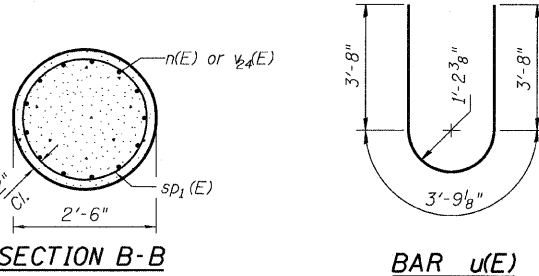
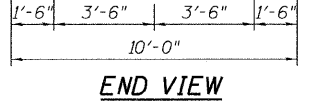
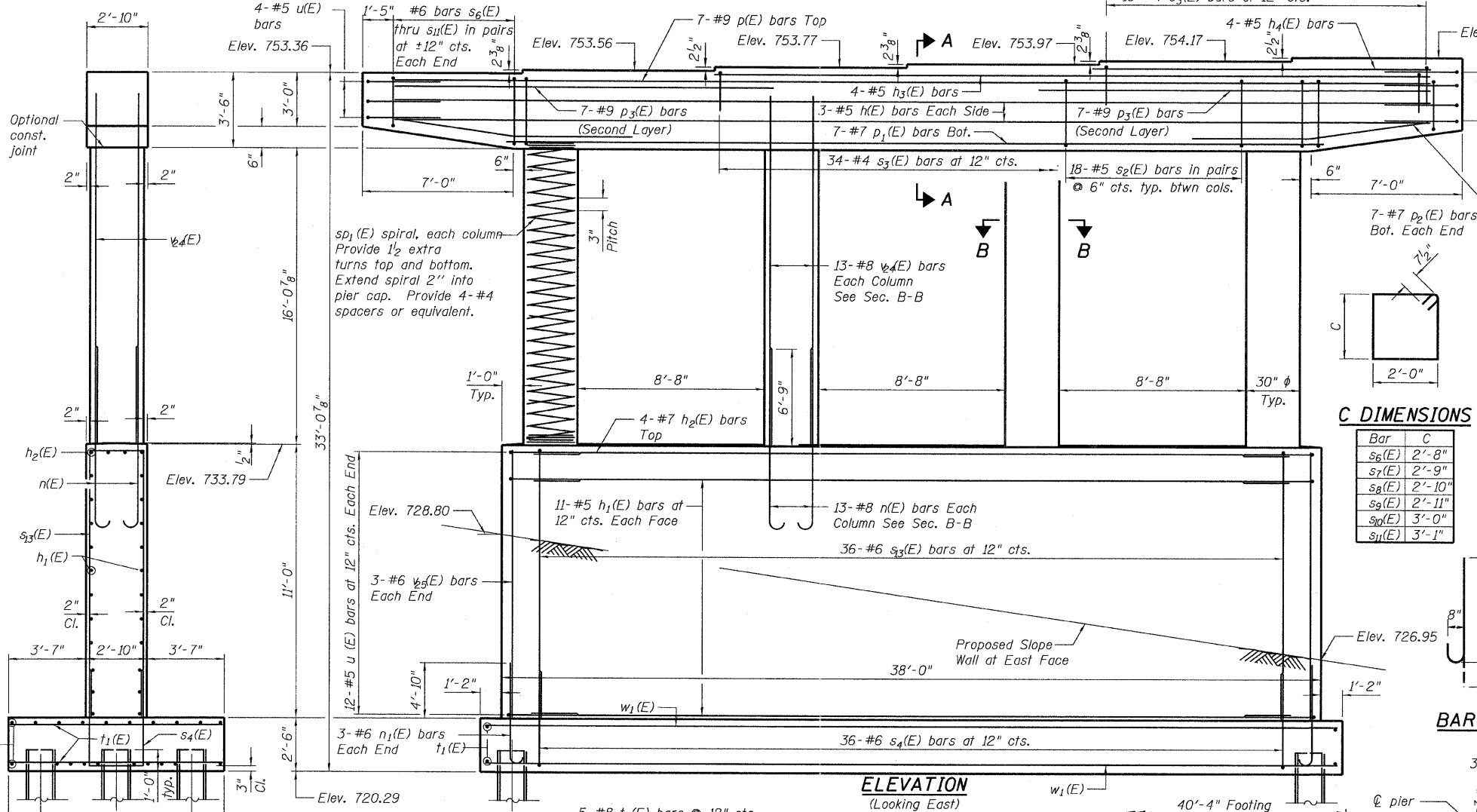
Type: Steel HP 14x73
 Nominal Required Bearing: 381 kips
 Allowable Resistance Available: 127 kips
 Est. Length: 51'-0"
 No. Production Piles: 23
 No. Test Piles: 1



SECTION A-A
BILL OF MATERIAL

Bar	No.	Size	Length	Shape
h(E)	6	#5	48'-2"	—
h1(E)	22	#5	35'-2"	—
h2(E)	4	#7	35'-2"	—
h3(E)	4	#5	33'-1"	—
h4(E)	4	#5	15'-2"	—
n(E)	52	#8	9'-2"	U
n1(E)	6	#6	7'-9"	U
p(E)	7	#9	48'-2"	—
p1(E)	7	#7	37'-0"	—
p2(E)	14	#7	10'-9"	—
p3(E)	14	#9	17'-3"	—
s2(E)	108	#5	10'-9"	□
s3(E)	50	#4	6'-6"	□
s4(E)	36	#6	16'-8"	□
s6(E)	4	#6	9'-6"	□
s7(E)	4	#6	9'-8"	□
s8(E)	4	#6	9'-10"	□
s9(E)	4	#6	10'-0"	□
s10(E)	4	#6	10'-2"	□
s11(E)	4	#6	10'-4"	□
s13(E)	36	#6	24'-2"	□
sp1(E)	4	#4	16'-3"	W
t1(E)	80	#8	9'-8"	—
u(E)	34	#5	11'-2"	U
w4(E)	52	#8	19'-4"	—
w5(E)	6	#6	10'-8"	—
w1(E)	20	#6	40'-0"	—
Structure Excavation	CU YD		200	
Concrete Structures	CU YD		113.8	
Reinforcement Bars, Epoxy Coated	POUND		17,420	
Furnishing Steel Piles HP14x73	Foot		1173	
Driving Piles	Foot		1173	
Test Pile Steel HP14x73	Each		1	

** Length is height of spiral.

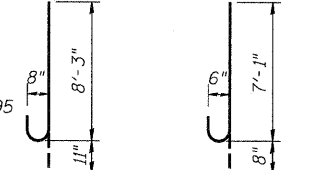


C DIMENSIONS

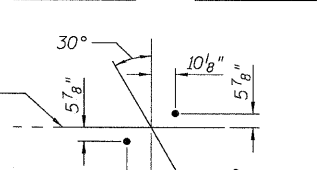
Bar	C
s6(E)	2'-8"
s7(E)	2'-9"
s8(E)	2'-10"
s9(E)	2'-11"
s10(E)	3'-0"
s11(E)	3'-1"

A & B DIMENSIONS

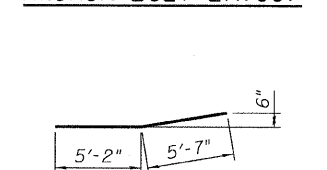
Bar	A	B
s3(E)	2'-6"	2'-0"
s4(E)	2'-6"	7'-1"
s14(E)	2'-6"	10'-10"



BAR n(E)



BAR p2(E)



FILE NAME =	USER NAME =	DESIGNED - SP	REVISED -	STATE OF ILLINOIS DEPARTMENT OF TRANSPORTATION	PIER 1 - WESTBOUND STRUCTURE NO. 006-0176 EB AND 006-0177 WB	F.A.I. RTE.	SECTION	COUNTY	TOTAL SHEETS	SHEET NO.	
TYLIN INTERNATIONAL	PLOT SCALE =	CHECKED - PF	REVISED -			BO	(106-5HBR-1, VBR106-6) JRS-3&I	BUREAU	249	134	
	PLOT DATE = 09/13/2011	DRAWN - DY	REVISED -			CONTRACT NO. 66686					
		CHECKED - PF	REVISED -			ILLINOIS FED. AID PROJECT					

SHEET NO. 30 OF 43 SHEETS