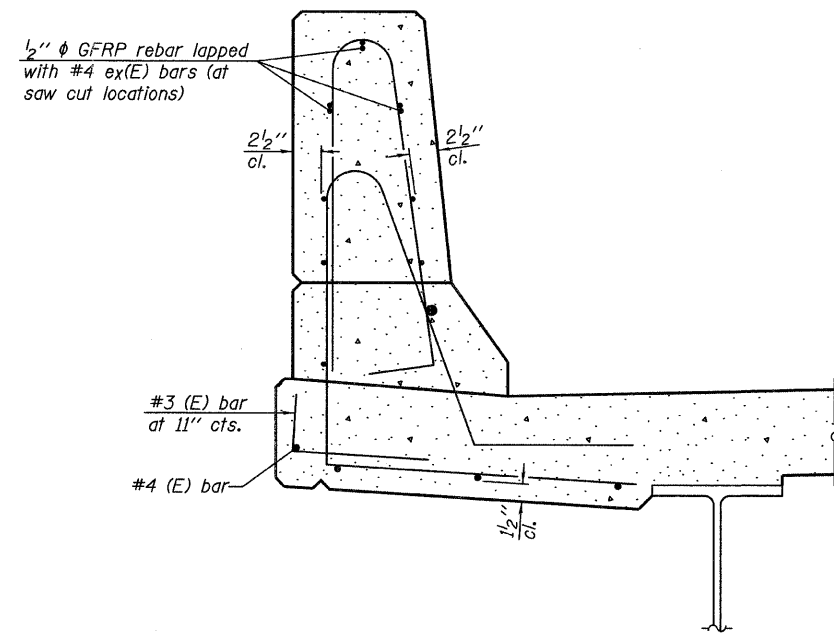
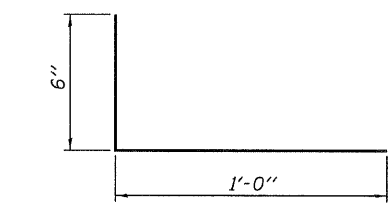


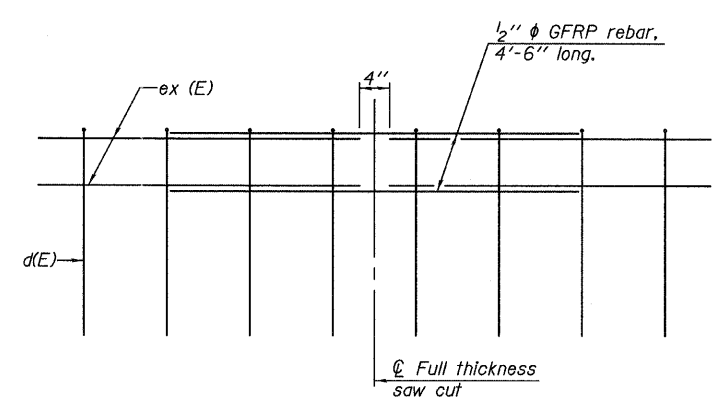
**SECTION**  
(Showing dimensions)



**SECTION**  
(Showing reinforcement clearances for slip forming and additional reinforcement bars)



**#3 (E) BAR**



**GFRP REBAR STIFFENING DETAIL**  
(Place as shown in parapet section at each parapet joint location.)

**GENERAL NOTES**

All dimensions shall remain the same as shown on superstructure details, except dimensions A and B which are to be revised as shown to provide additional clearance. Additional concrete needed to revise dimension A and B = 0.0165 cu. yds./ft. of parapet.  
Place aluminum sheet in curb portion at and near piers. Full thickness saw cut at all joint locations in lieu of cork joint filler.

\* See Superstructure Details.

SFP-34

7-1-10

FILE NAME =	USER NAME =	DESIGNED - PF	REVISED -
TYLIN INTERNATIONAL		CHECKED - PF	REVISED -
PLOT SCALE =		DRAWN - DY	REVISED -
PLOT DATE = 09/13/2011		CHECKED - PF	REVISED -

STATE OF ILLINOIS  
DEPARTMENT OF TRANSPORTATION

CONCRETE PARAPET SLIPFORMING OPTION  
STRUCTURE NO. 006-0176 EB AND 006-0177 WB

F.A.I. RTE.	SECTION	COUNTY	TOTAL SHEETS	SHEET NO.
80	[(06-5)HBR-1,VBR(06-6)RS-3&I	BUREAU	249	139
			CONTRACT NO. 66686	
ILLINOIS FED. AID PROJECT				

SHEET NO. 35 OF 43 SHEETS

\*FILE\*

\*FILE\*