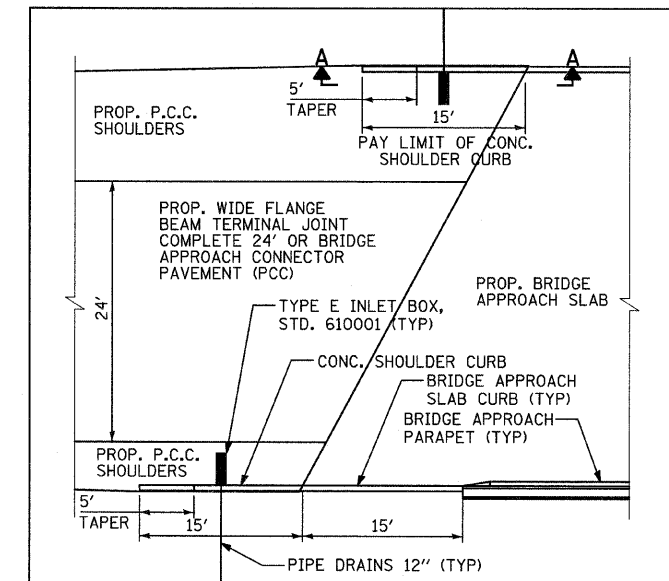


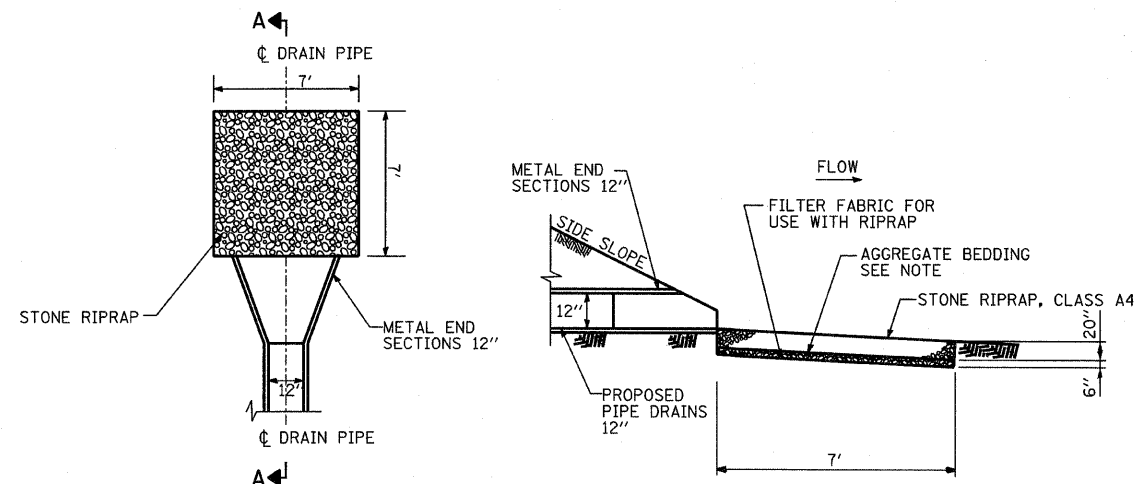
A-A: CROSS SECTION VIEW SHOULDER CURB WITH INLET

NOTE: SHOULDER CURB WITH INLET SHALL BE CONSTRUCTED IN ACCORDANCE WITH SECTION 662 OF THE STANDARD SPECIFICATIONS AND STATE STANDARD 610001.

SHOULDER CURB WITH INLET DETAIL



TYPICAL PLAN VIEW OF SHOULDER CURB WITH INLET (NOT TO SCALE)

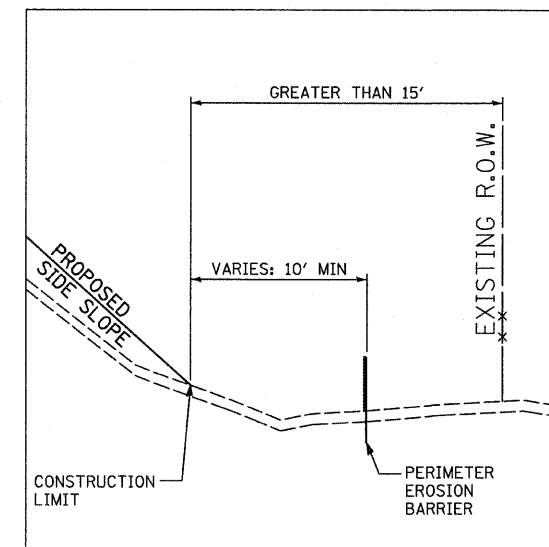


TYPICAL PLAN VIEW OF STONE RIPRAP, CLASS A4 PLACEMENT (NOT TO SCALE)

A-A: CROSS SECTION VIEW STONE RIPRAP, CLASS A4 PLACEMENT IN LINE WITH FLOW

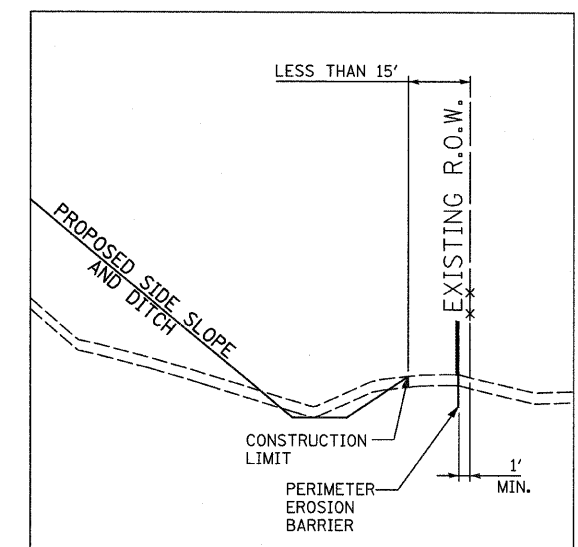
NOTE: AGGREGATE BEDDING SHALL BE INCLUDED IN THE COST OF STONE RIPRAP, CLASS A4

STONE RIPRAP, CLASS A4 PLACEMENT DETAIL



WHEN CONSTRUCTION LIMIT IS GREATER THAN 15 FT. FROM EXISTING R.O.W.

NOTE: PERIMETER EROSION BARRIER SHALL NOT BE PLACED IN EXISTING DRAINAGE FEATURES.



WHEN CONSTRUCTION LIMIT IS LESS THAN 15 FT. FROM EXISTING R.O.W.

NOTE: WHEN PERIMETER EROSION BARRIER IS WITHIN 15' OF THE EXISTING R.O.W. LINE, THE BARRIER SHALL BE PLACED A MINIMUM OF 1' INSIDE THE EXISTING R.O.W. OR AS DETERMINED BY THE ENGINEER.

PERIMETER EROSION BARRIER PLACEMENT

TYLIN INTERNATIONAL USER NAME = PLOT SCALE = PLOT DATE =	DESIGNED - CAC	REVISED -	STATE OF ILLINOIS DEPARTMENT OF TRANSPORTATION	F.A.I. ROUTE 80 (I-80) MISCELLANEOUS ROADWAY DETAILS			F.A.I. RTE. 80	SECTION (106-5)HBR-1, VBR(06-6)RS-3&I	COUNTY BUREAU	TOTAL SHEETS 249	SHEET NO. 180	
	DRAWN - CAC	REVISED -		SCALE: NONE	SHEET NO. 1 OF 1 SHEETS	STA. TO STA.	FED. ROAD DIST. NO. (ILLINOIS) FED. AID PROJECT	CONTRACT NO. 66686				
	CHECKED - JDF	REVISED -										
	DATE - 9/7/2011	REVISED -										