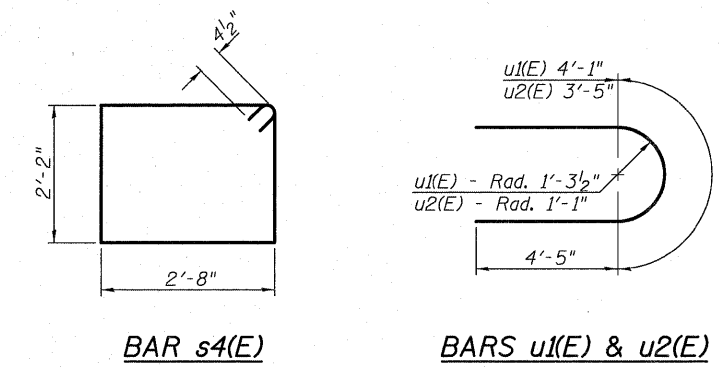
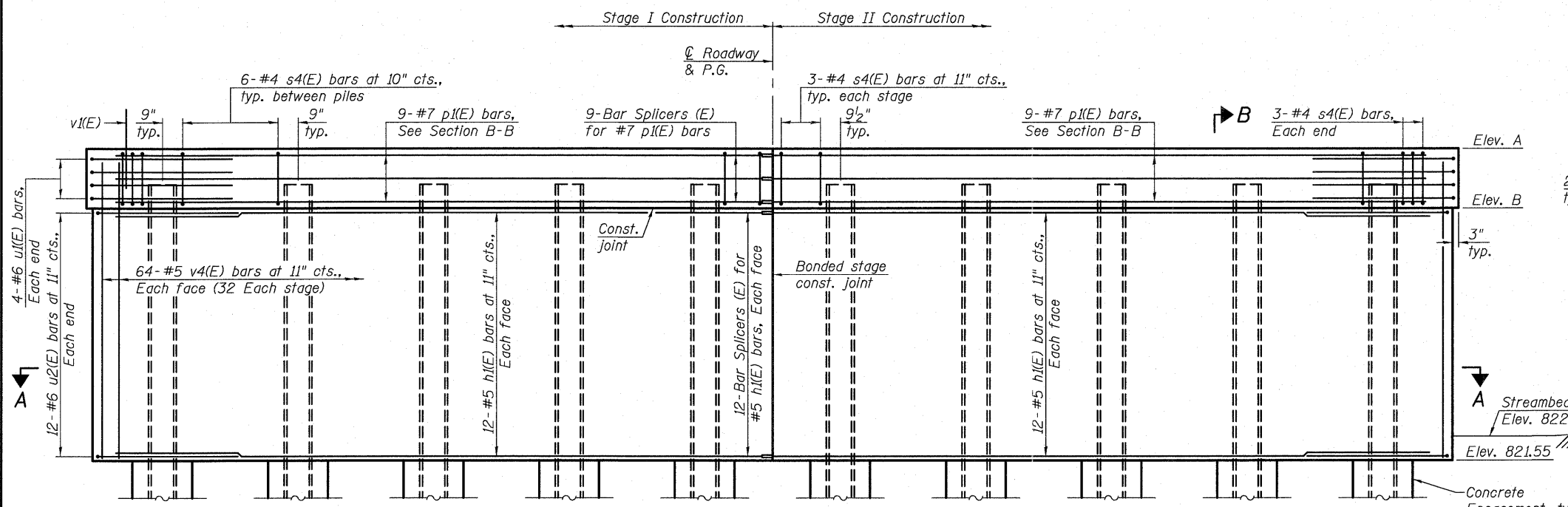


TOP PLAN

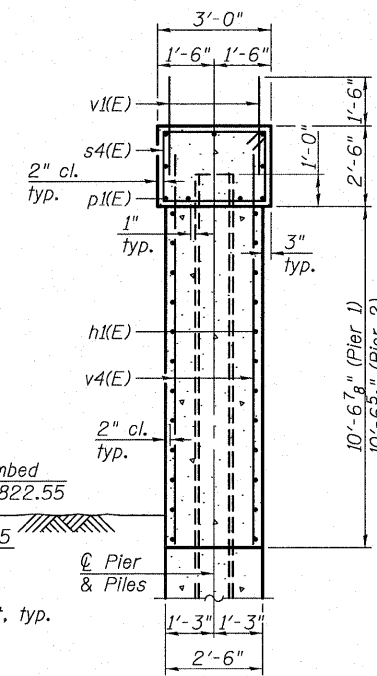


BAR s4(E)

BARS u1(E) & u2(E)



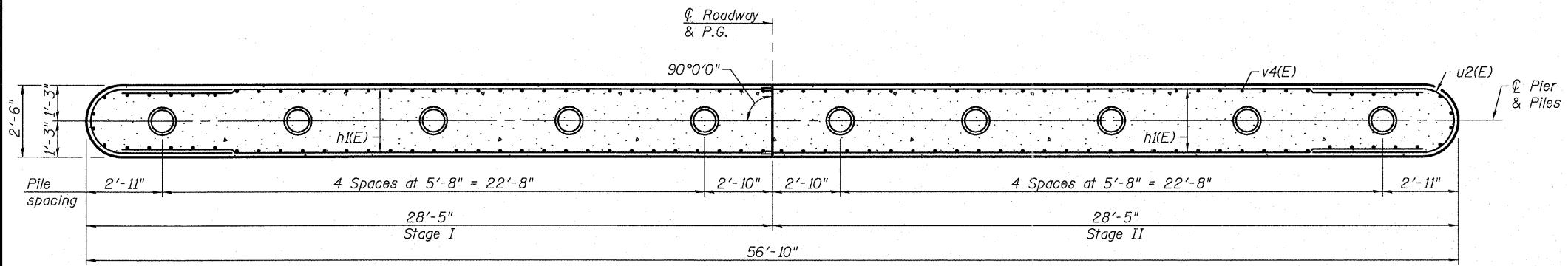
**ELEVATION
(Looking East)**



SECTION B-B

BILL OF MATERIAL
(Two Piers)

Bar	No.	Size	Length	Shape
h1(E)	96	#5	27'-0"	—
p1(E)	36	#7	27'-0"	—
s4(E)	120	#4	10'-5"	□
u1(E)	16	#6	12'-11"	U
u2(E)	48	#6	12'-3"	U
v1(E)	224	#5	3'-0"	—
v4(E)	256	#5	12'-4"	—
Structure Excavation Cu. Yd. 43				
Concrete Structures Cu. Yd. 141.6				
Concrete Encasement Cu. Yd. 8.5				
Reinforcement Bars, Epoxy Coated Pound 10,710				
Furnishing Metal Shell Piles 14" x 0.250" Foot 1008				
Driving Piles Foot 1008				
Test Pile Metal Shells Each 1				
Underwater Structure Excavation Protection - Location 1 Each 1				
Underwater Structure Excavation Protection - Location 2 Each 1				



SECTION A-A

ELEVATION TABLE

	A	B
Pier 1	834.62	832.12
Pier 2	834.60	832.10

Notes:

- For details of piles and Concrete Encasement, see sheet 17 of 20.
- For details of Bar Splicers, see sheet 18 of 20.
- All edges shall have standard 3/4" chamfer.
- If a portion of the pier wall or concrete encasement is under water, reinforcement may be placed underwater into forms. Concrete shall be tremied according to Article 503.08 of the Standard Specifications to an elevation of 1'-0" above the water line at the time of construction.
- Underwater Structure Excavation Protection Location 1 corresponds to Pier 1 and Location 2 corresponds to Pier 2.

PILE DATA - PIER 1

Type: Metal Shell - 14 in. dia x 0.250 in. walls
 Nominal Required Bearing: 353 kips
 Factored Resistance Available: 156 kips
 Est. Length: 52 ft
 No. Production Piles: 9
 No. Test Piles: 1

PILE DATA - PIER 2

Type: Metal Shell - 14 in. dia x 0.250 in. walls
 Nominal Required Bearing: 343 kips
 Factored Resistance Available: 156 kips
 Est. Length: 54 ft
 No. Production Piles: 10



USER NAME =	DESIGNED - JAD	REVISED -
PLOT SCALE =	CHECKED - SJN	REVISED -
PLOT DATE =	DRAWN - JAD	REVISED -
	CHECKED - SJN	REVISED -

**STATE OF ILLINOIS
DEPARTMENT OF TRANSPORTATION**

**PIER DETAILS
STRUCTURE NO. 019-0048**

SHEET NO. 16 OF 20 SHEETS

F.A.P. RTE.	SECTION	COUNTY	TOTAL SHEETS	SHEET NO.
307	126(B)-1(BR)	DEKALB	62	34
CONTRACT NO. 66987				
ILLINOIS FED. AID PROJECT				