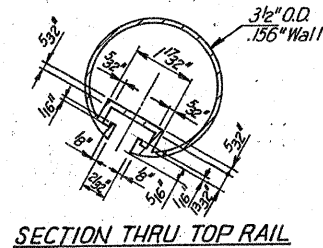
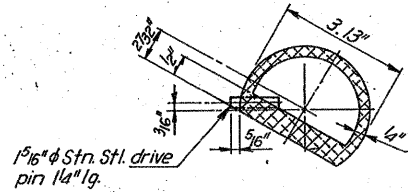


STATE OF ILLINOIS
DEPARTMENT OF TRANSPORTATION

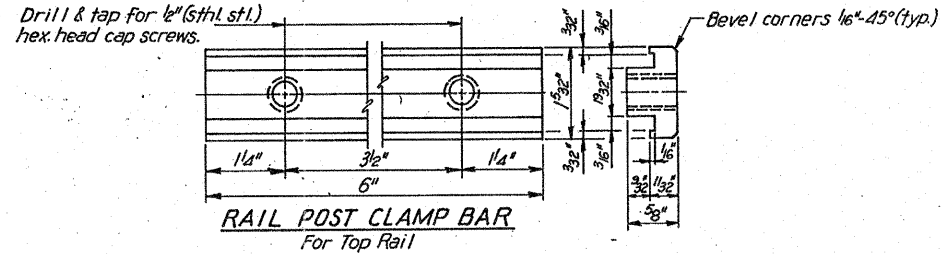
ROUTE NO.	SECTION	COUNTY	TOTAL SHEETS	SHEET NO.	SHEET NO. 5
F.A. 17	126(B)-R	DEKALB	16	13	SHEETS 8
FED. ROAD DIST. NO. 1	ILLINOIS	FED. AID PROJECT			



SECTION THRU TOP RAIL



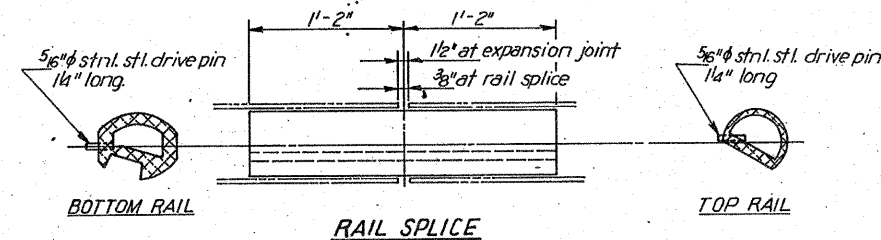
SECTION THRU SPLICE
TOP RAIL



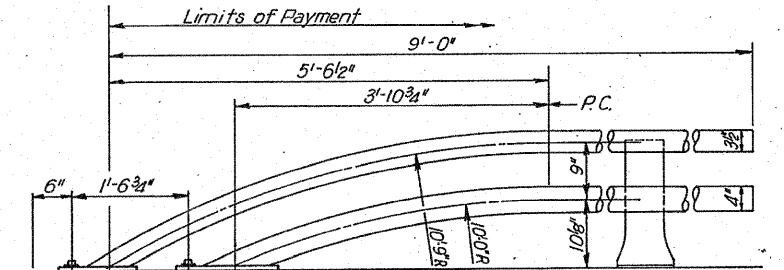
RAIL POST CLAMP BAR
For Top Rail

NOTES:

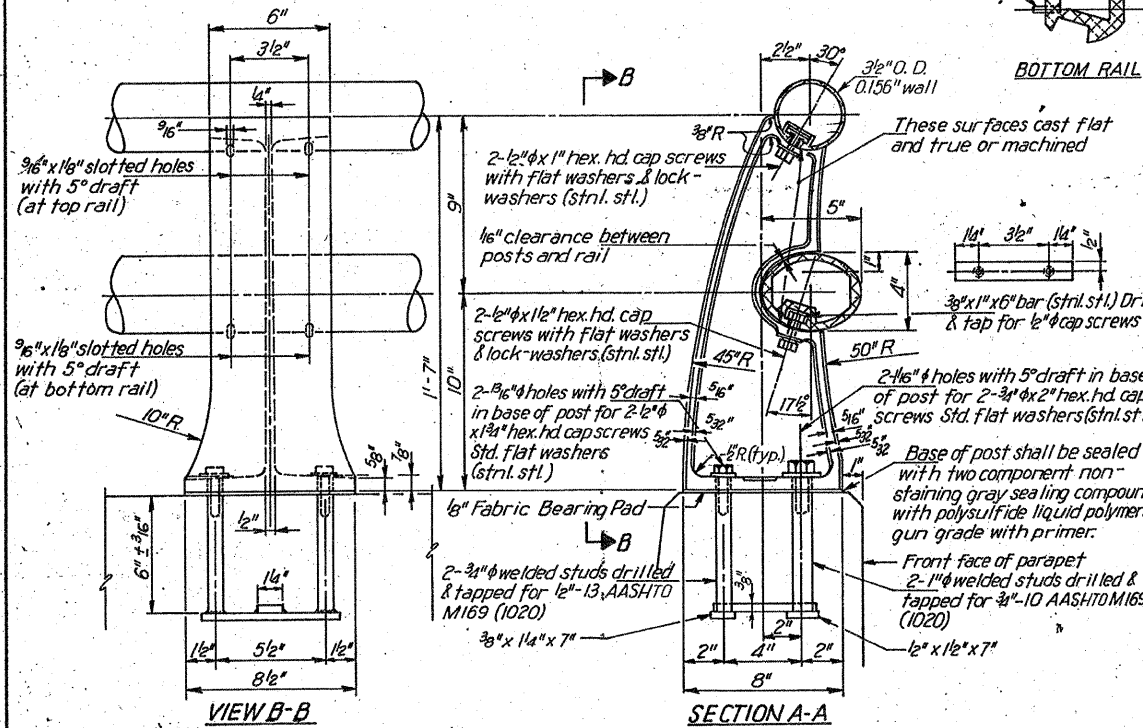
All posts shall be normal to parapet
All Aluminum Alloy Extruded Rail shall be supplied in modular lengths of 30 feet, except at the end of bridge or over open joints in bridge deck where the rail shall be attached to a minimum of 2 posts. If the rail is on a horizontal curve of 2300 foot radius or less, the modular lengths may be reduced but shall be attached to a minimum of 2 posts.
All joints in rail shall be spliced per detail.
Provide 1-1/8" and 2-1/8" Aluminum Shimms for 25% of the Posts. Rail elements shall be parallel to Grade - high spots shall be ground and low spots shimmed.
Railing shall be in accordance with Section 508 of the Standard Specifications, except as noted, and shall be paid for at the contract unit price per linear foot for Aluminum Railing, Type L.
Aluminum alloy rail shall conform to ASTM B 221 alloy 6061-T6 or 6351-T5 with min. yield 35 ksi, min. tensile 38 ksi, and elongation of 10% in 2 inches.



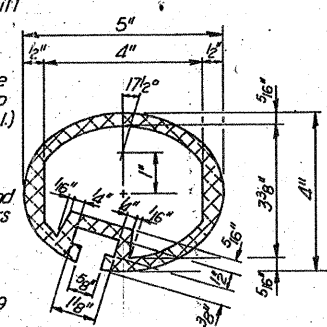
RAIL SPLICE



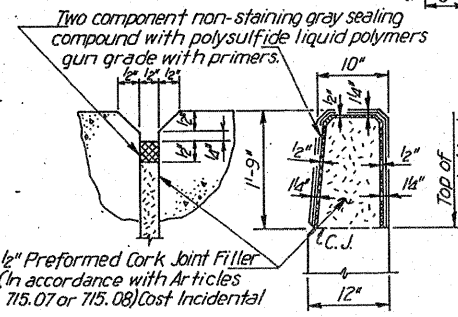
Limits of Payment



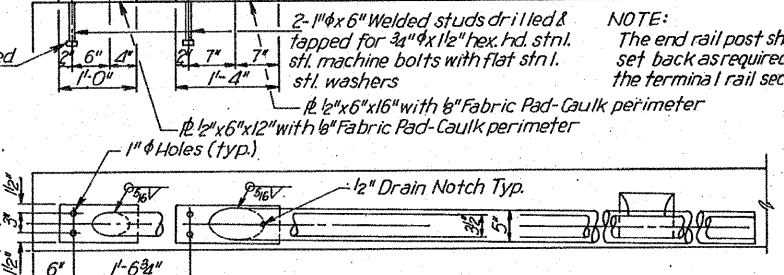
RAIL POST DETAILS



SEC. THRU ELLIPTICAL
RAIL SECTION



PARAPET JOINT DETAILS



RAIL TERMINAL SECTION

BILL OF MATERIALS

Item	Unit	Quantity
ALUMINUM RAILING, TYPE L	Lin. Ft.	98

DESIGNED	J.M.P.
CHECKED	S.F.
DRAWN	K.A.C.
CHECKED	J.M.P.

REVISIONS	
NAME	DATE

HANDRAIL DETAILS
F.A. ROUTE 17 (ILL. 64)
SECTION 126 (B-1) R
DEKALB COUNTY
STA. 78+50.00
SCALE: VERT. 1"=4'
HORIZ. 1"=10'
DATE 7-22-81