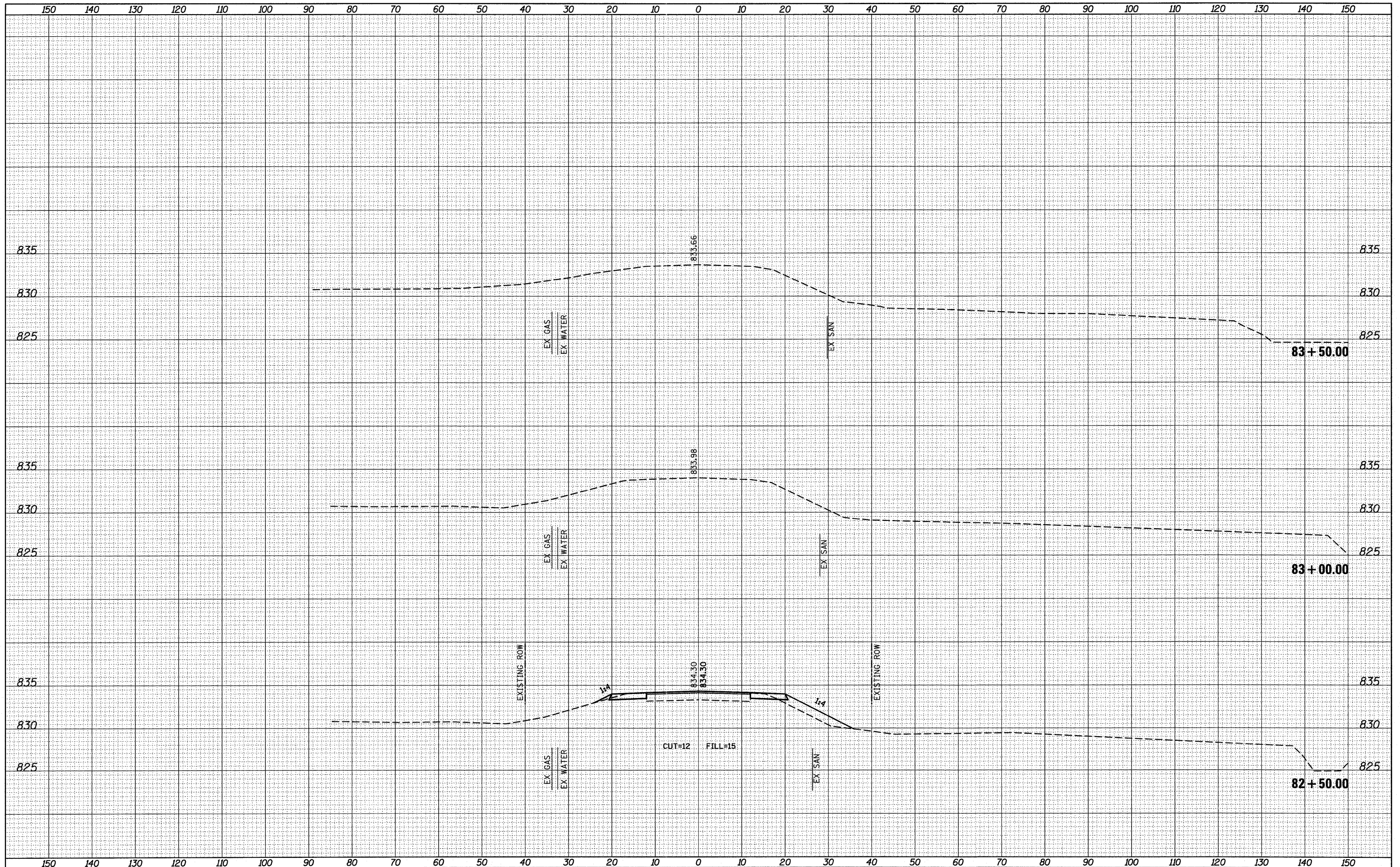


DATE	
BY	
FINAL SURVEY	
NOTED	
NOTE BOOK	
NO.	
SURVEYED	
TEMP	
AREAS	
CHECKED	

DATE	
BY	
ORIGINAL SURVEY	
NOTED	
NOTE BOOK	
NO.	
SURVEYED	
TEMP	
AREAS	
CHECKED	



FILE NAME = xsht00.dgn

USER NAME = randy
 DESIGNED -
 DRAWN -
 CHECKED -
 DATE -

REVISED -
 REVISED -
 REVISED -
 REVISED -

**STATE OF ILLINOIS
 DEPARTMENT OF TRANSPORTATION**

CROSS SECTIONS

SCALE: SHEET NO. 8 OF 8 SHEETS STA. 82+50.00 TO STA. 83+50.00

F.A.P. RTE. 307	SECTION 126 (B-1) BR	COUNTY DEKALB	TOTAL SHEETS 62	SHEET NO. 62
				CONTRACT NO. 66987
ILLINOIS FED. AID PROJECT				