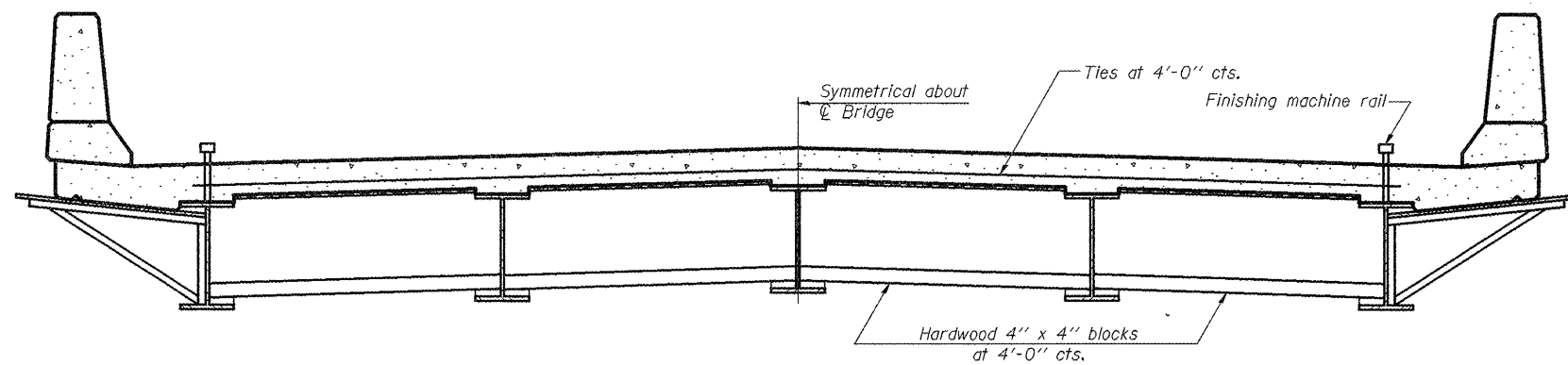


**FORM BRACES FOR  
STAGE CONSTRUCTION**

When cantilever forming brackets are used, the work shall be done according to Article 503.06(b), except as modified below and in the details shown on this sheet.  
 The finishing machine rails shall be placed on the top flange of the exterior beams.  
 The beams or girders, supporting cantilever forming brackets, shall be tied together at 4 foot intervals.  
 For Standard construction, or Stage Construction the Hardwood bracing materials shall be placed as shown between webs of beams in each bay.



**FORM BRACES FOR  
STANDARD CONSTRUCTION**



FILE NAME = D:\68883-sht-plan.dgn	USER NAME = johnortv	DESIGNED -	REVISED -
		DRAWN -	REVISED -
	PLOT SCALE = 100.4566' / 1"	CHECKED -	REVISED -
	PLOT DATE = 8/26/2011	DATE -	REVISED -

**STATE OF ILLINOIS  
DEPARTMENT OF TRANSPORTATION**

<b>CANTILEVER FORMING BRACKETS</b>		
<b>IL 94 OVER WOLF CREEK S.N. 036-0055</b>		
SCALE:	SHEET NO. 12 OF 15 SHEETS	STA. 216+45

F.A.P. RTE.	SECTION	COUNTY	TOTAL SHEETS	SHEET NO.
534	109B (BR3)	HENDERSON	88	37
<b>CONTRACT NO. 68083</b>				
ILLINOIS FED. AID PROJECT				