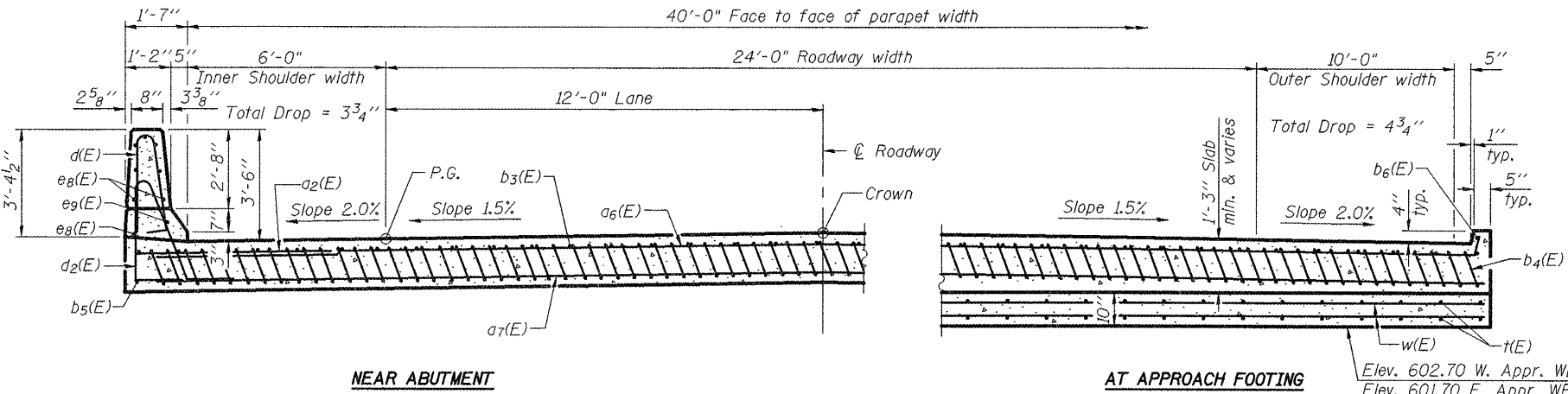
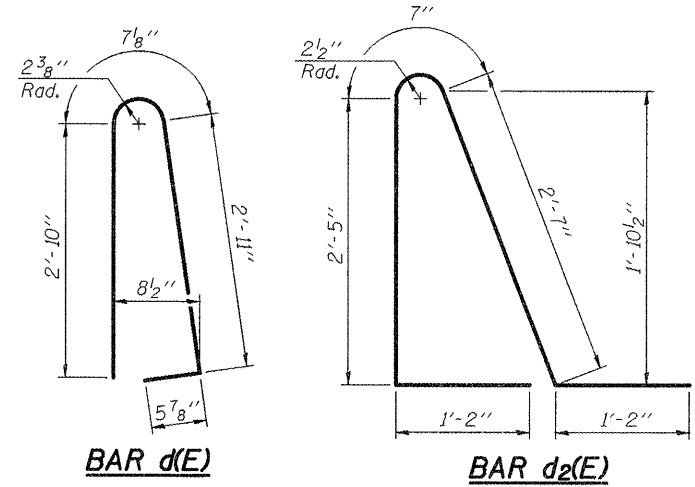
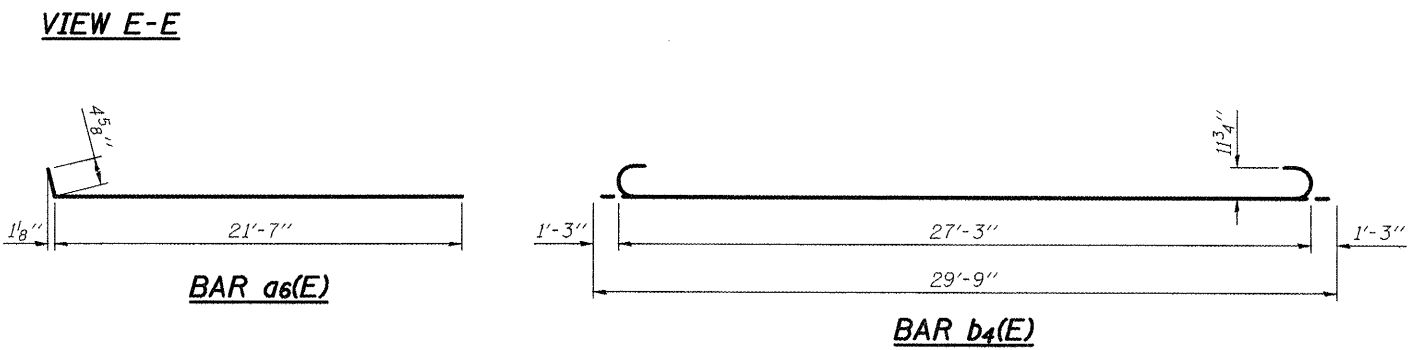
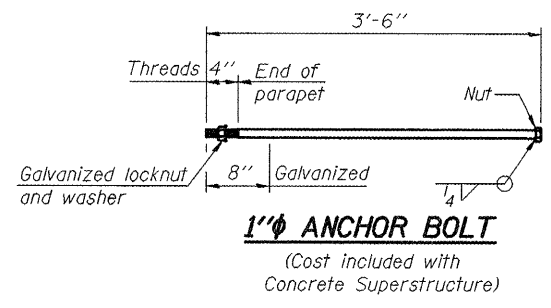
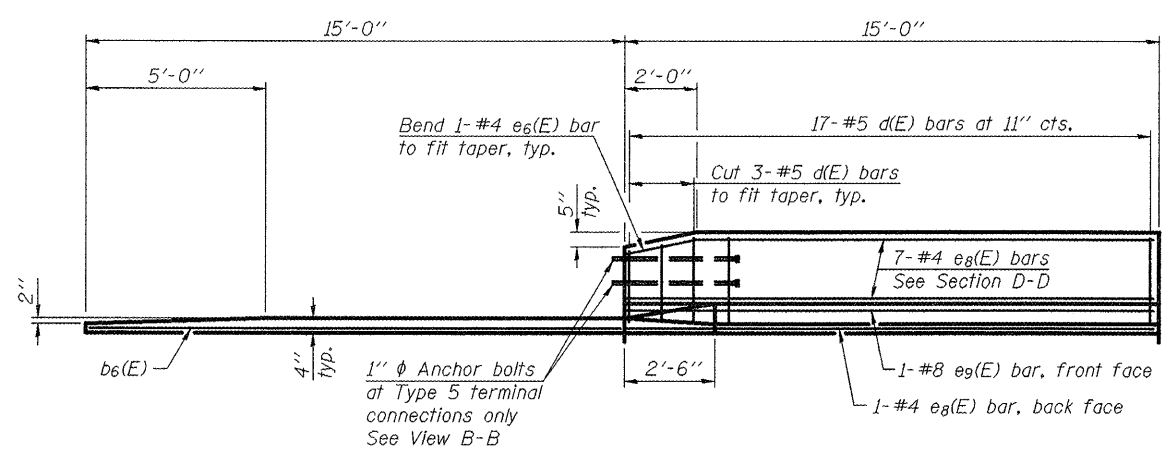


Notes:
 See sheet 13 of 32 for Detail A and View B-B.
 Approach slab and parapet concrete shall be paid for as Concrete Superstructure.
 Approach footing concrete shall be paid for as Concrete Structures.
 Reinforcement shall be paid for as Reinforcement Bars, Epoxy Coated.
 For v(E) bar details, see sheet 11 of 34.
 The approach footing maximum applied service bearing pressure (Q_{max}) = 2.0 ksf.
 For bar splicer details, see sheet 27 of 34.
 Cost of excavation for approach footing included with Concrete Structures.
 For Porous Granular Embankment (Special) and drainage treatment details, see sheet 12 of 34.
 For additional parapet details, see sheet 11 of 34.



Elev. 602.70 W. Appr. WB
 Elev. 601.70 E. Appr. WB
 Elev. 601.60 W. Appr. EB
 Elev. 600.60 E. Appr. EB
 (Level out to out)

* Tilt #9 b4(E) bars as required to maintain clearance.
 *** Cost included with Concrete Superstructure.
 EB = Eastbound
 WB = Westbound



BILL OF MATERIAL
 (One Approach)

Bar	No.	Size	Length	Shape
a2(E)	24	#6	6'-6"	—
a6(E)	50	#4	22'-0"	—
a7(E)	92	#5	22'-0"	—
b3(E)	34	#4	29'-8"	—
b4(E)	101	#9	29'-9"	—
b5(E)	2	#4	14'-8"	—
b6(E)	2	#4	14'-8"	—
d(E)	34	#5	6'-10"	—
d2(E)	34	#5	7'-11"	—
e8(E)	16	#4	14'-8"	—
e9(E)	2	#8	14'-8"	—
t(E)	88	#4	9'-9"	—
w(E)	80	#5	22'-0"	—
Concrete Superstructure		Cu. Yd.	65.5	
Bridge Deck Grooving		Sq. Yd.	127	
Protective Coat		Sq. Yd.	152	
Concrete Structures		Cu. Yd.	13.0	
Reinforcement Bars, Epoxy Coated		Pound	17,180	