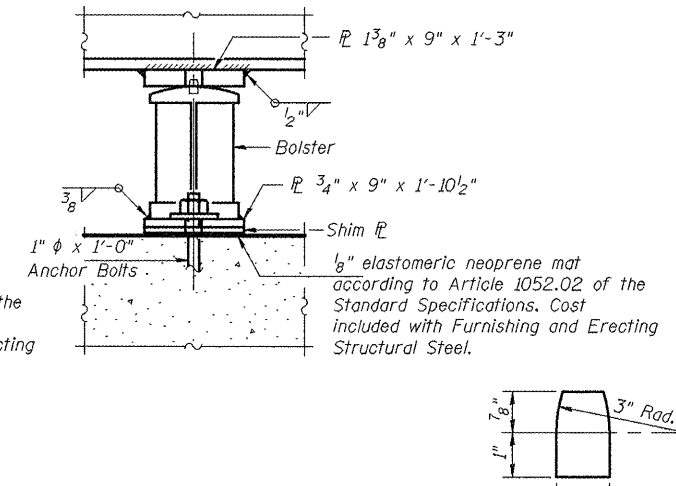
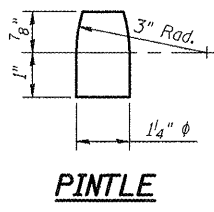


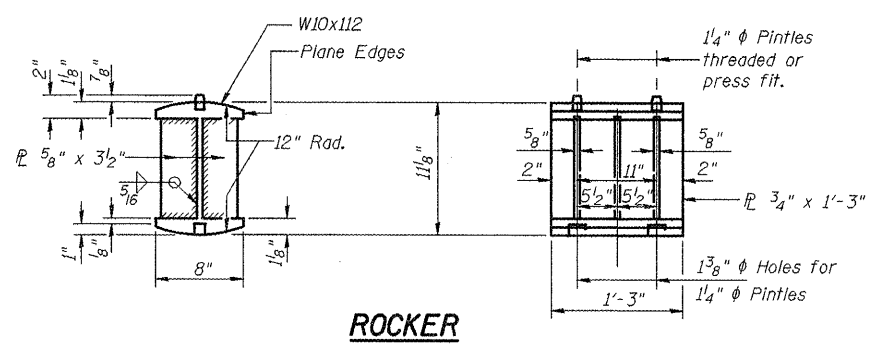
**ELEVATION**



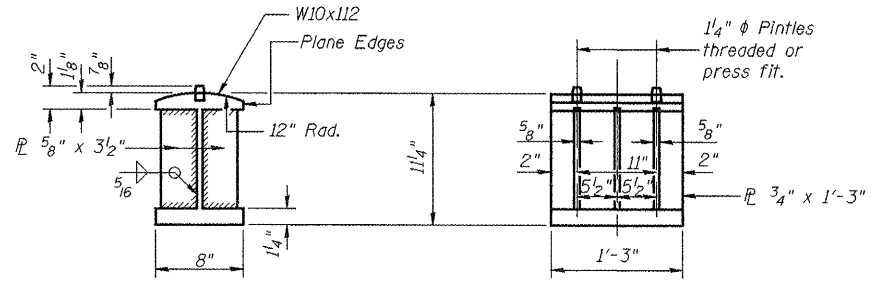
**ELEVATION**



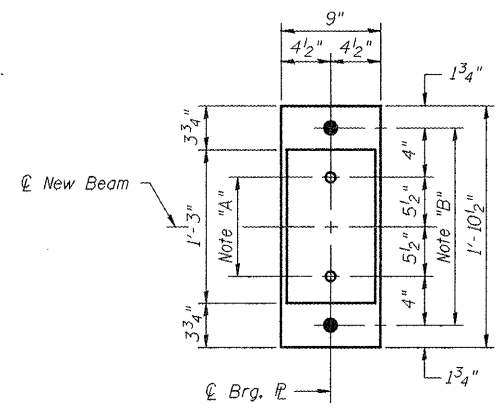
**PINTLE**



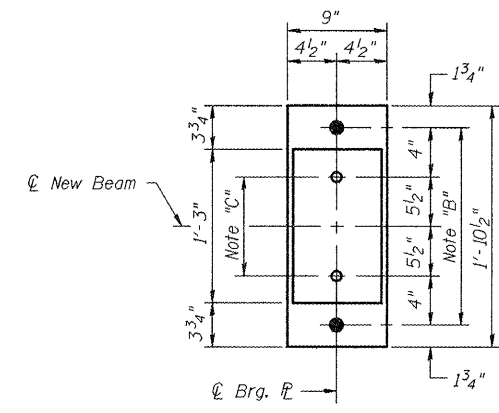
**ROCKER**



**BOLSTER**



**PLAN AT PIERS 1 & 3**



**PLAN AT PIERS 2 & 4**

Note "A"  
1 3/8"  $\phi$  Holes-1" deep in top  $\mathbb{R}$  for 1 1/4"  $\phi$  pintles. Thread or press fit pintles in bottom  $\mathbb{R}$ .

Note "B"  
1 1/2"  $\phi$  Holes for 1" Anchor Bolts (ASTM F1554 Grade 36) with 2 1/4" x 2 1/4" x 3/16"  $\mathbb{R}$  washer under nut.

Note "C"  
1 3/8"  $\phi$  Holes-1" deep in top  $\mathbb{R}$  for 1 1/4"  $\phi$  pintles.

**BEARING ASSEMBLY DETAILS**

**NOTES FOR SETTING OF ANCHOR BOLTS AT EXPANSION BEARINGS**

- a.) D\* (Side of brg. away from fixed brg.)  
D\* = 1/16" per each 32'-9 3/4" of expansion for every 8 °C fall below the normal temp. of 10 °C.
- D\*\* (Side of brg. toward fixed brg.)  
D\*\* = 1/16" per each 32'-9 3/4" of expansion for every 8 °C rise above the normal temp. of 10 °C.
- b.) After beams have been erected and dimensions D\* & D\*\* determined, holes shall be drilled and anchor bolts shall be installed.

Notes:  
Anchor bolts at fixed bearings may be cast into the masonry. The cost of furnishing and installing new rocker bearings and bolsters shall be included with Furnishing and Erecting Structural Steel.  
See Sheet 17 of 34 for Anchor bolt notes.  
Two 1/8 in. adjusting shims shall be provided for each bearing in addition to all other plates or shims and placed as shown on bearing details.

**BILL OF MATERIAL**

Item	Unit	Total
Anchor Bolts, 1"	Each	9



V3 Companies of Illinois Ltd.  
7325 James Avenue  
Woodridge, IL 60517  
830.724.9200 phone  
830.724.9202 fax  
www.v3co.com

FILE NAME: 18 Fixed Bearings and Rocker Bearings for New Beams at piers.dgn  
PLOT SCALE: 1:1  
PLOT DATE: July 1, 2011

DESIGNED: B. Vegrzyn  
CHECKED: Coombe-Bloxdorf  
DRAWN: B. Vegrzyn  
CHECKED: Coombe-Bloxdorf

STATE OF ILLINOIS  
DEPARTMENT OF TRANSPORTATION

FIXED BEARINGS AND ROCKER BEARINGS FOR NEW BEAMS AT PIERS  
STRUCTURE NO. 072-0001 & 072-0002  
SHEET NO. 18 OF 34 SHEETS

F.A.I. RTE.	SECTION	COUNTY	TOTAL SHEETS	SHEET NO.
74	72-6VB	PEORIA	133	61
			CONTRACT NO. 68874	
ILLINOIS FED. AID PROJECT				