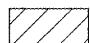
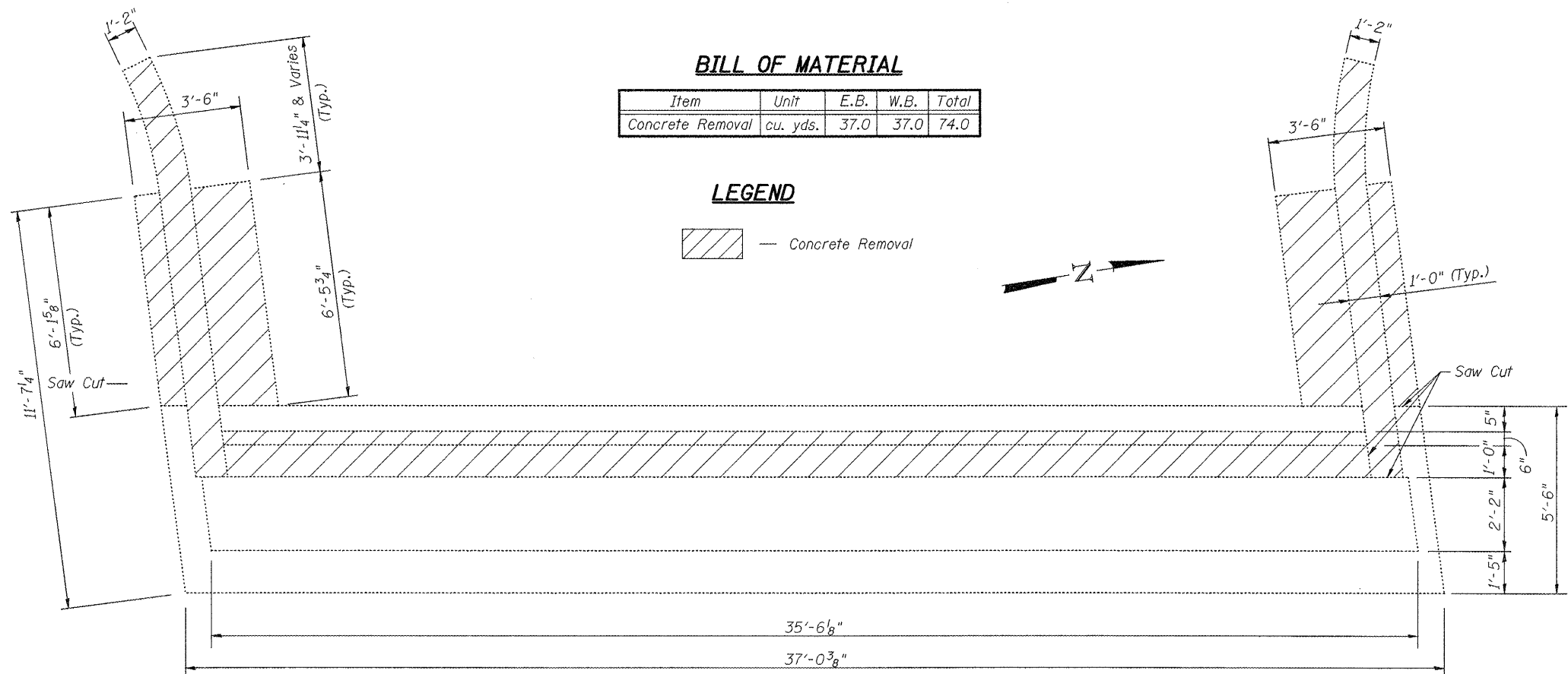
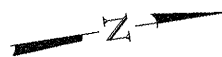


BILL OF MATERIAL

Item	Unit	E.B.	W.B.	Total
Concrete Removal	cu. yds.	37.0	37.0	74.0

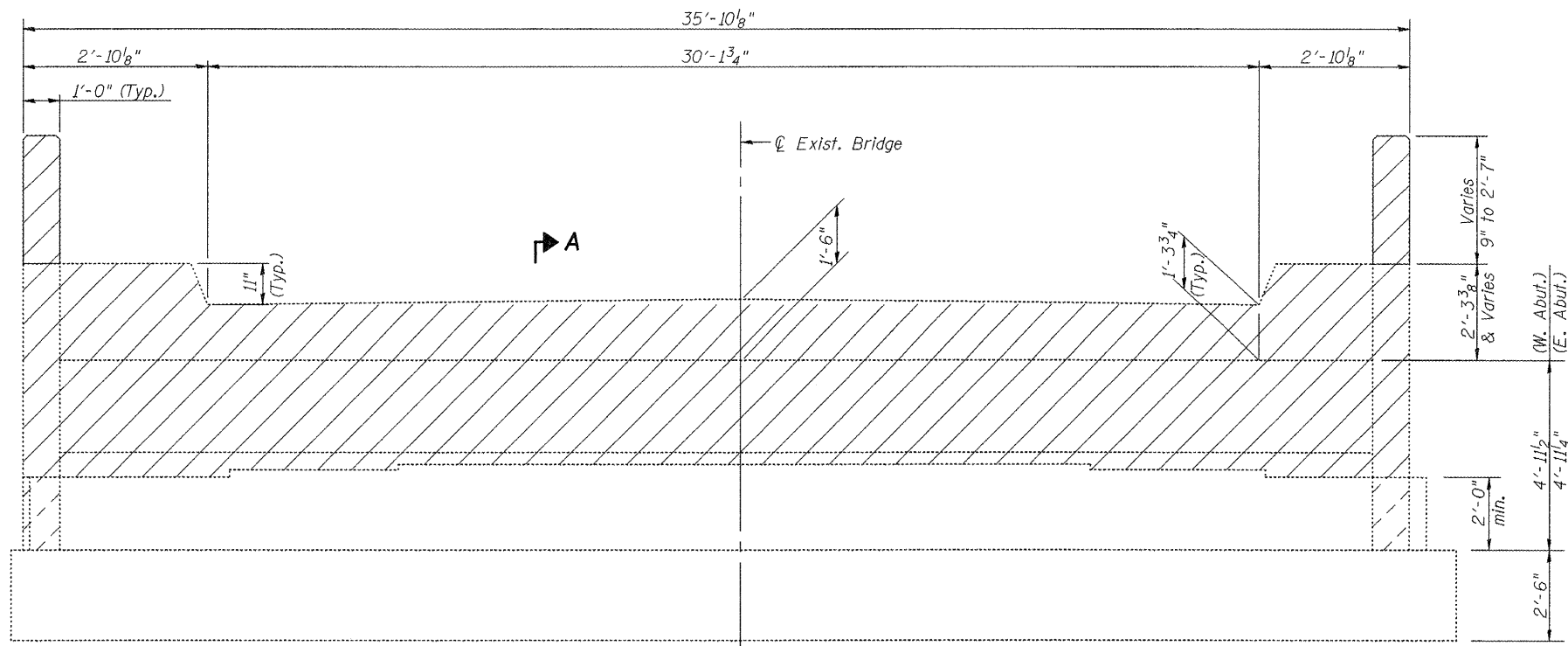
LEGEND

 Concrete Removal

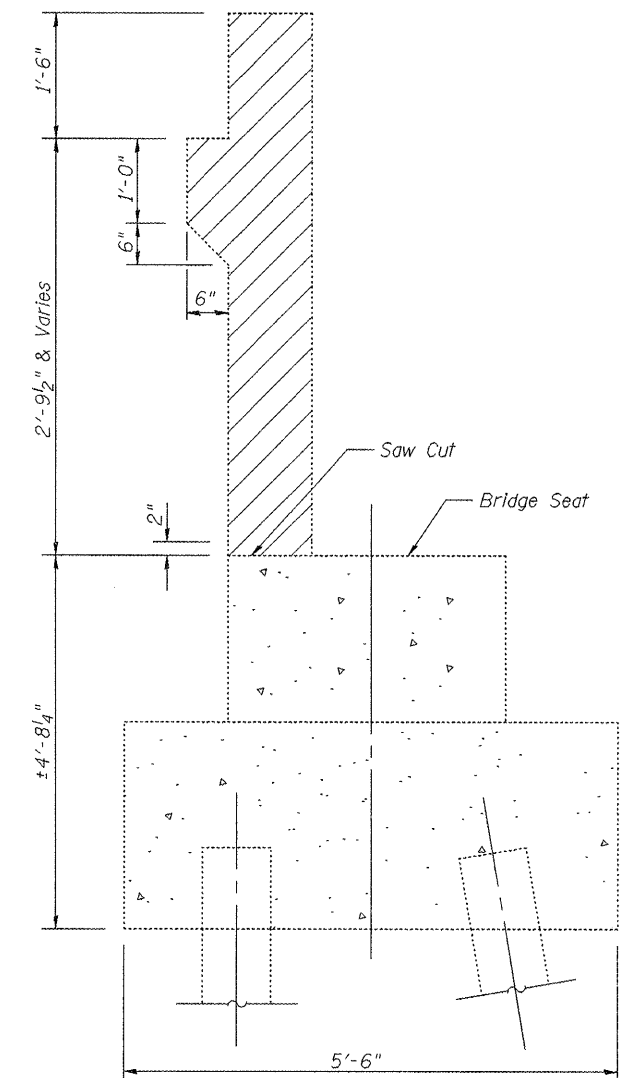


ABUTMENT PLAN

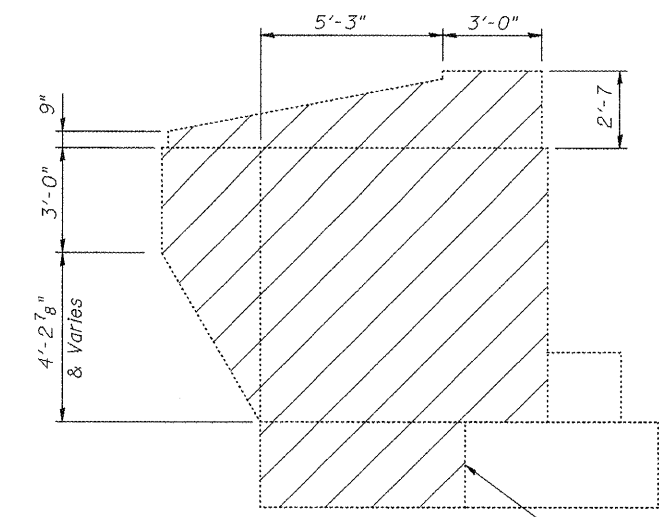
(W. Abut. shown. E. Abut. similar)



ABUTMENT ELEVATION

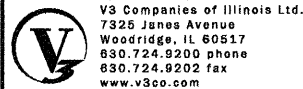


SECTION A-A



WINGWALL ELEVATION

(South Face, West Abut. shown, other wingwalls similar)



V3 Companies of Illinois Ltd.
7325 Janes Avenue
Woodridge, IL 60517
830.724.8200 phone
830.724.8202 fax
www.v3co.com

DESIGNED: B. Vegrzyn	REVISED -
CHECKED: Coombe-Bloxdorf	REVISED -
DRAWN: B. Vegrzyn	REVISED -
CHECKED: Coombe-Bloxdorf	REVISED -

**STATE OF ILLINOIS
DEPARTMENT OF TRANSPORTATION**

**ABUTMENT REMOVAL
STRUCTURE NO. 072-0001 & 072-0002**

SHEET NO. 19 OF 34 SHEETS

F.A.I. RTE.	SECTION	COUNTY	TOTAL SHEETS	SHEET NO.
74	72-6VB	PEORIA	133	62
CONTRACT NO. 68874				

ILLINOIS FED. AID PROJECT