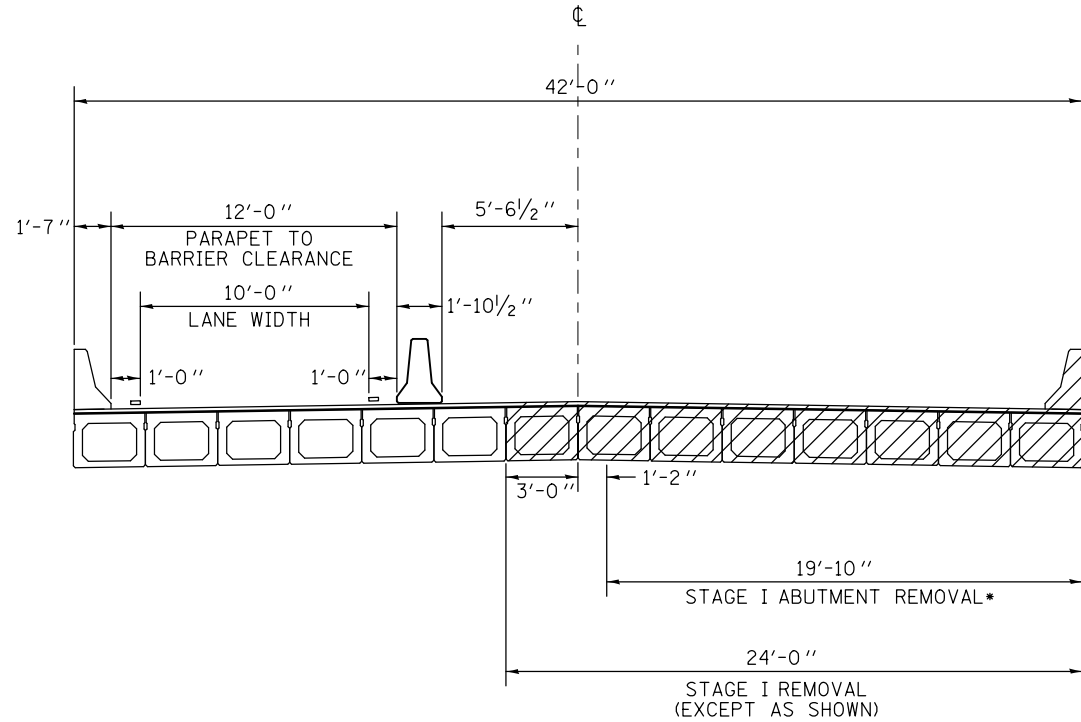
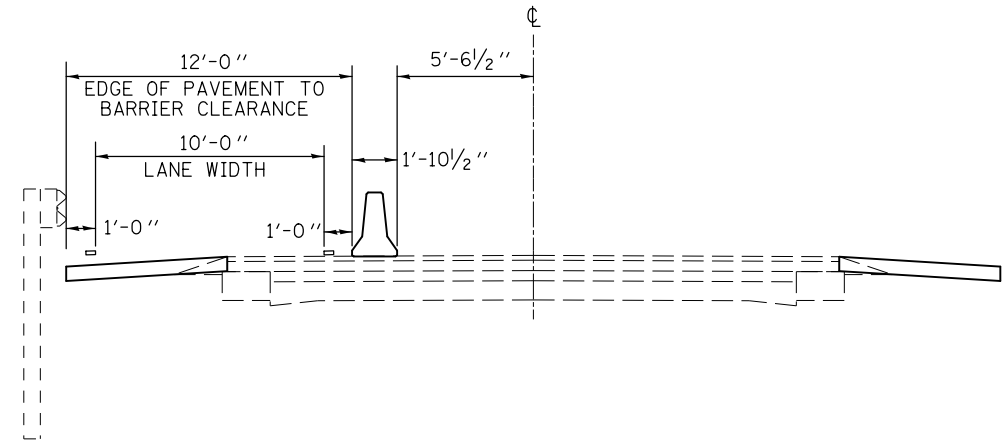


STAGE I REMOVAL DETAIL
S.N. 057-0093 BRIDGE

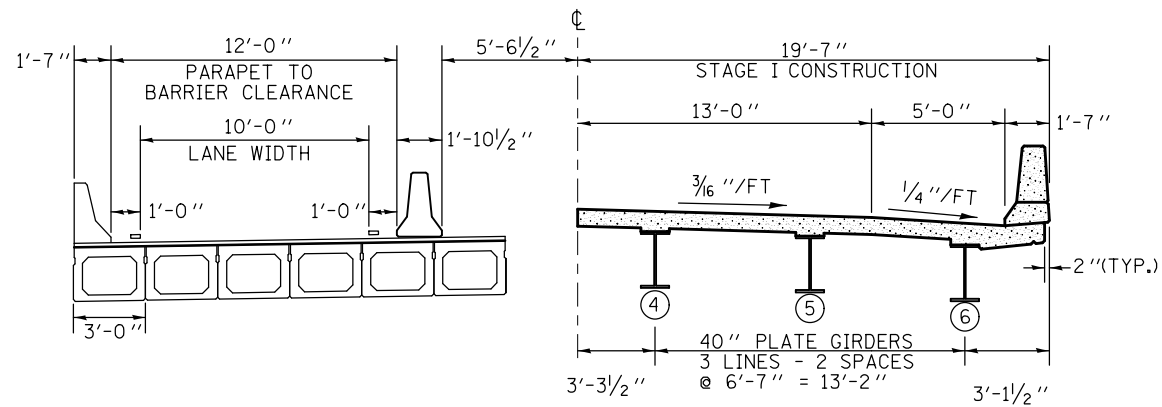


* THE EXISTING ABUTMENTS ARE 3 COLUMN FRAMES. THE CENTER COLUMN SHALL BE LEFT IN PLACE AS SHOWN DURING STAGE I REMOVAL. THE PIERS MAY BE STAGE REMOVED SIMILAR TO THE SUPERSTRUCTURE.

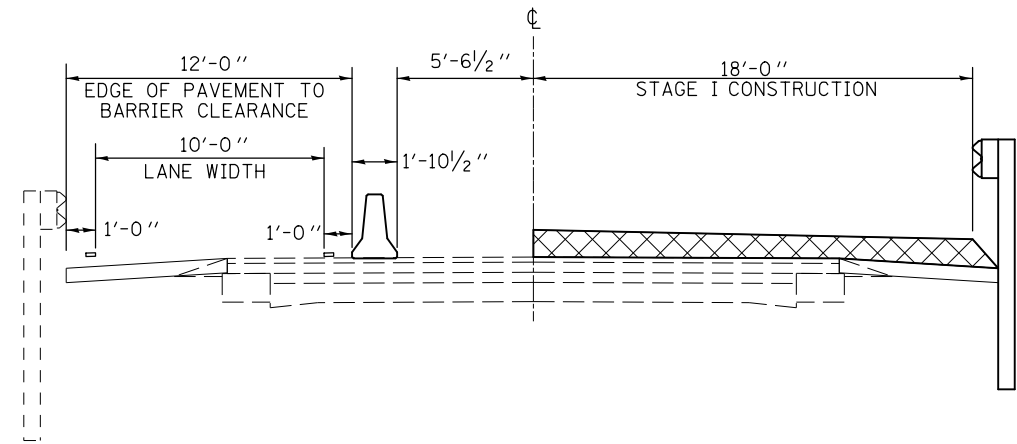
PRE-STAGE CONSTRUCTION DETAIL
ROADWAY



STAGE I CONSTRUCTION DETAIL
S.N. 057-0244 BRIDGE



STAGE I CONSTRUCTION DETAIL
ROADWAY



| | | | |
|--|---------------------|-------------------|-----------------|
| FILE NAME = | USER NAME = hogenbj | DESIGNED - BJH | REVISED - _____ |
| c:\pwwork\pwwork\hogenbj\d0142533\057052-sht-details.CEL | | DRAWN - 4/22/2011 | REVISED - _____ |
| | | CHECKED - _____ | REVISED - _____ |
| | | DATE - _____ | REVISED - _____ |

STATE OF ILLINOIS
DEPARTMENT OF TRANSPORTATION

STAGE 1 REMOVAL & CONSTRUCTION DETAILS

SCALE: _____ SHEET NO. 1 OF 1 SHEETS STA. _____ TO STA. _____

| F.A.P. RTE. | SECTION | COUNTY | TOTAL SHEETS | SHEET NO. |
|---------------------------|---------|--------|--------------|-----------|
| 315 | 121BR-2 | MCLEAN | 144 | 32 |
| CONTRACT NO. 70552 | | | | |
| ILLINOIS FED. AID PROJECT | | | | |