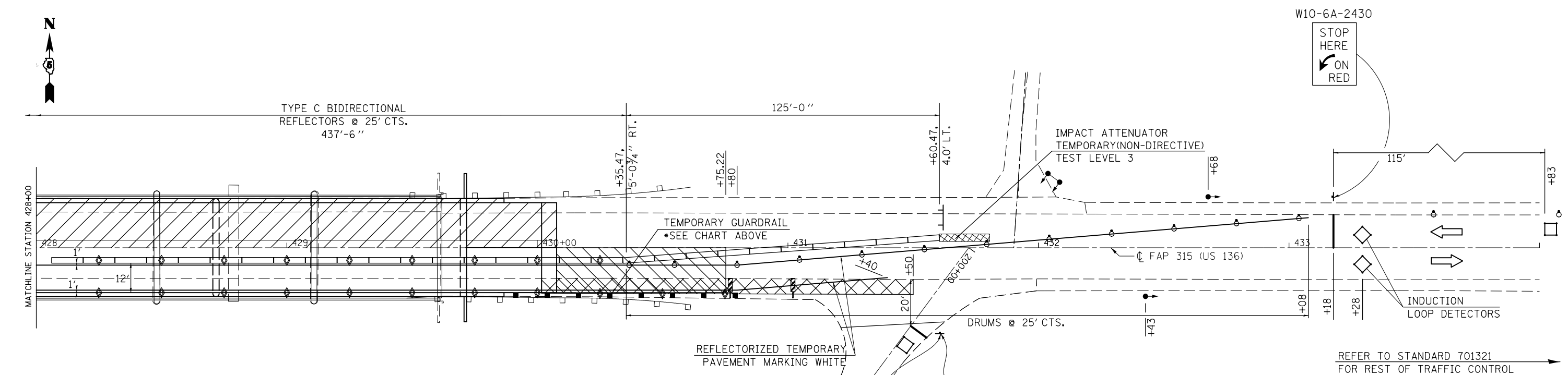
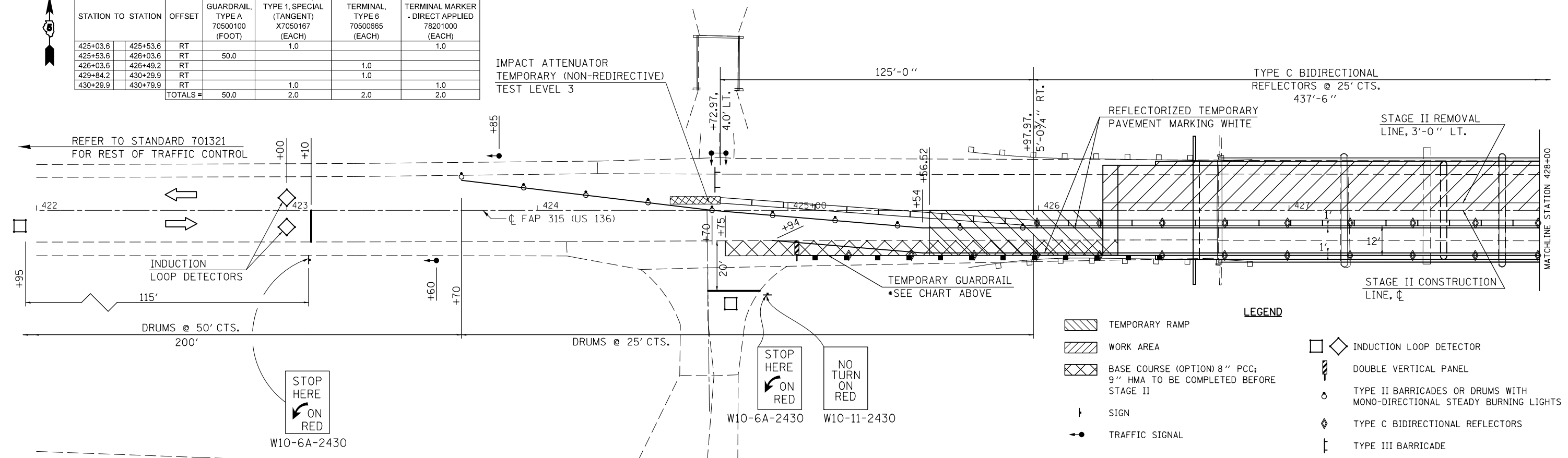




STATION TO STATION	OFFSET	TEMP. STEEL PLATE BEAM GUARDRAIL, TYPE A 70500100 (FOOT)	TEMPORARY TRAFFIC BARRIER TERMINAL, TYPE 1, SPECIAL (TANGENT) X7050167 (EACH)	TEMPORARY TRAFFIC BARRIER TERMINAL, TYPE 6 70500665 (EACH)	TERMINAL MARKER - DIRECT APPLIED 78201000 (EACH)
425+03.6	425+53.6	RT	1.0		1.0
425+53.6	426+03.6	RT	50.0		
426+03.6	426+49.2	RT		1.0	
429+84.2	430+29.9	RT		1.0	
430+29.9	430+79.9	RT	1.0		1.0
TOTALS =		50.0	2.0	2.0	2.0

STAGE II



NOTES:
PLACING, MAINTAINING AND REMOVING TEMPORARY PAVEMENT MARKINGS WILL NOT BE PAID FOR SEPARATELY BUT SHALL BE INCLUDED IN THE COST FOR TRAFFIC CONTROL AND PROTECTION STANDARD 701321.

RCA AND SIGNAL AHEAD SIGNS SHALL BE PLACED AT ANY SIDEROAD LOCATED WITHIN THE MAINLINE TRAFFIC CONTROL SIGNING LIMITS. THE LOCATIONS TO BE DETERMINED BY THE ENGINEER. THESE SIGNS WILL NOT BE MEASURED FOR PAYMENT, BUT WILL BE INCLUDED IN THE VARIOUS TRAFFIC CONTROL ITEMS.

TEMPORARY SIGNAL NOTES:
PORTABLE MICROWAVE TEMPORARY BRIDGE SIGNALS SHALL BE PERMITTED TO PROVIDE DETECTION FOR THE TEMPORARY CONTROLLER. ALL ADJUSTMENTS AND RELOCATION OF VIDEO COMPONENTS ARE TO BE INCLUDED IN THE TEMPORARY TRAFFIC SIGNAL INSTALLATION COST.

POLES USED FOR TEMPORARY SIGNAL INSTALLATION SHALL PROVIDE FOR A MINIMUM 35 FOOT MOUNTING HEIGHT FOR THE VIDEO CAMERAS.

FILE NAME =	USER NAME = hoganbj	DESIGNED - BJH/BJM	REVISED -
ei:\pw\work\p\dot\hoganbj\d0142533\0570652-sht-details.CEL		DRAWN - 5/9/2011	REVISED -
	PLOT SCALE = 40.0000' / in.	CHECKED -	REVISED -
	PLOT DATE = 8/24/2011	DATE -	REVISED -

STATE OF ILLINOIS
DEPARTMENT OF TRANSPORTATION

TRAFFIC CONTROL & PROTECTION STAGE II
F.A.P. ROUTE 315 (U.S. ROUTE 136)

SCALE: _____ SHEET NO. 1 OF 1 SHEETS STA. _____ TO STA. _____

F.A.P. RTE.	SECTION	COUNTY	TOTAL SHEETS	SHEET NO.
315	121BR-2	MCLEAN	144	33
CONTRACT NO. 70552				
ILLINOIS FED. AID PROJECT				