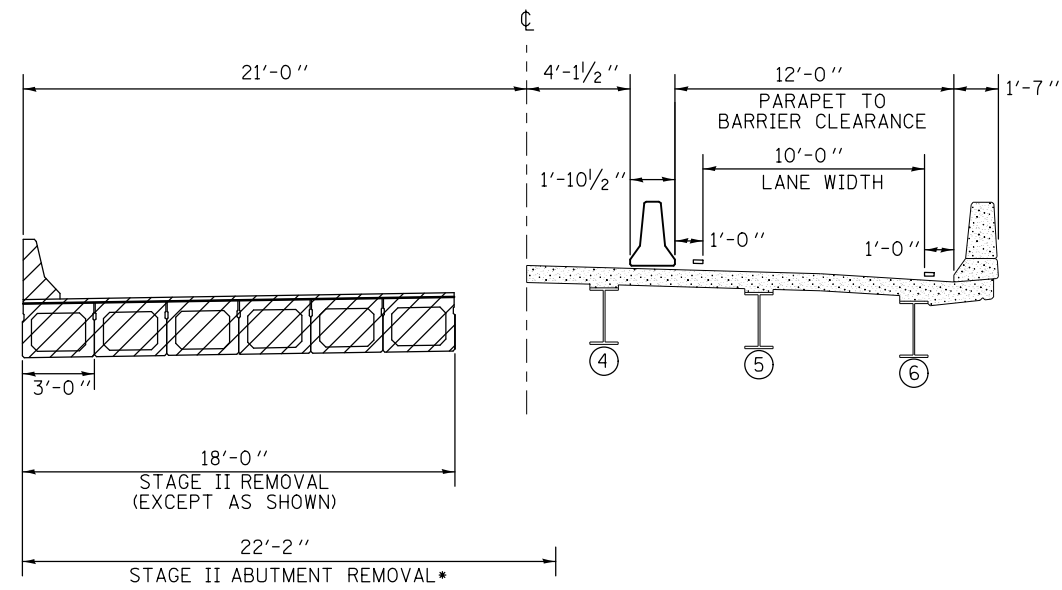
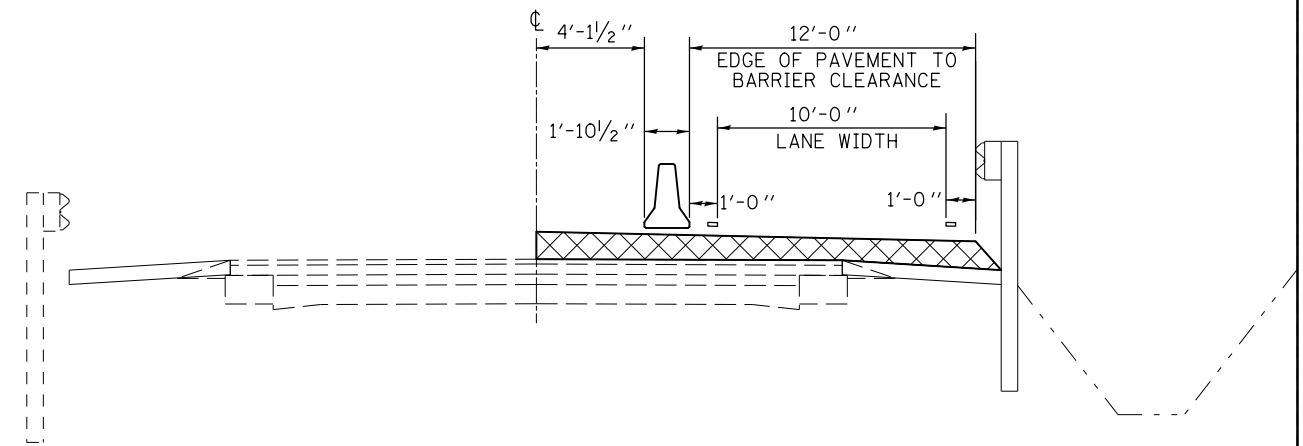


STAGE II REMOVAL DETAIL
S.N. 057-0093 BRIDGE

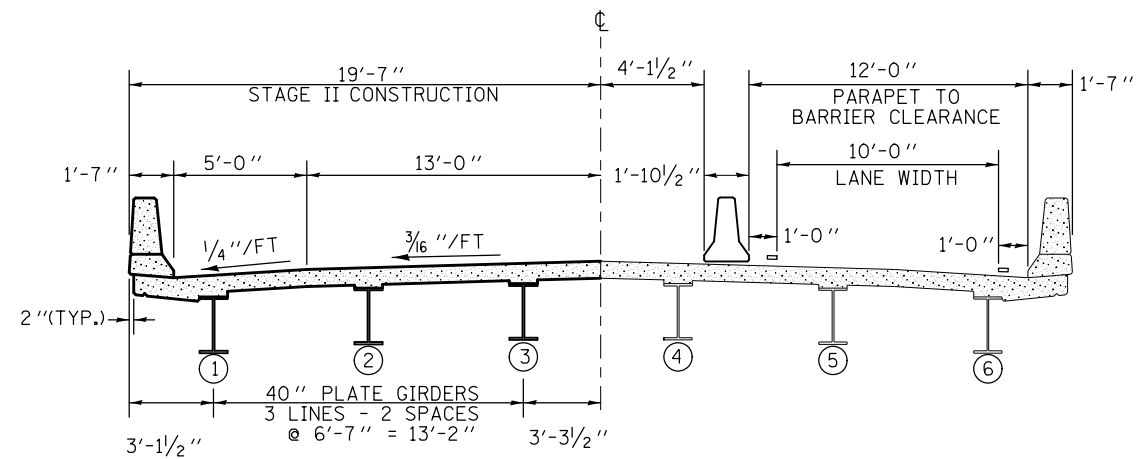


* THE EXISTING ABUMENTS ARE 3 COLUMN FRAMES. THE REMAINDER OF THE ABUTMENTS AND PIERS SHALL BE REMOVED IN STAGE II REMOVAL.

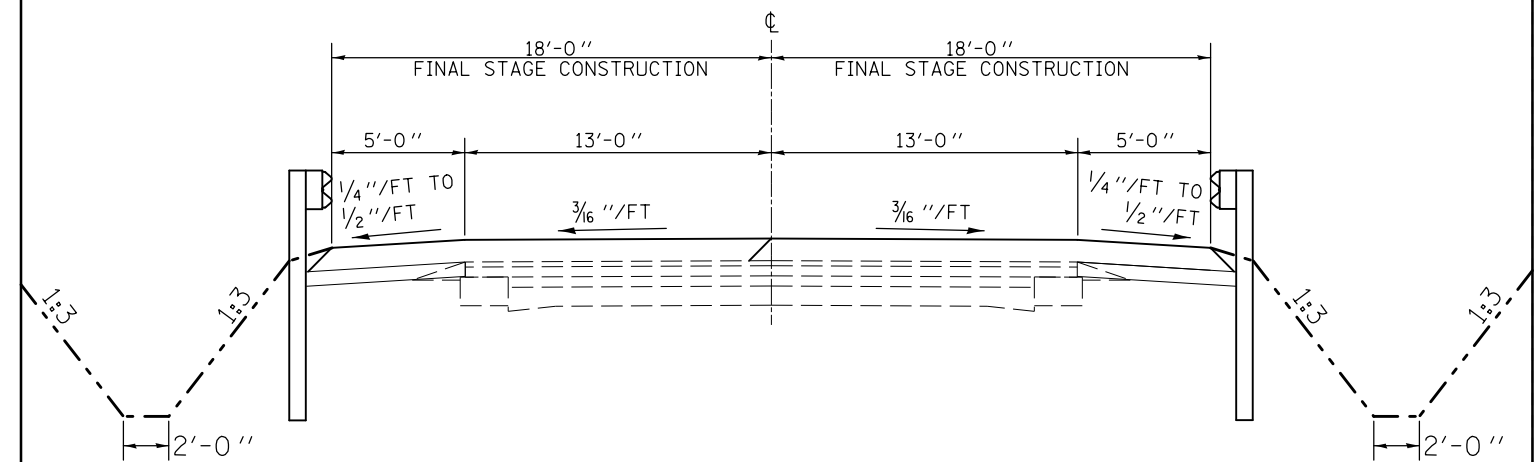
STAGE II REMOVAL DETAIL
ROADWAY



STAGE II CONSTRUCTION DETAIL
S.N. 057-0244 BRIDGE



FINAL STAGE CONSTRUCTION DETAIL
ROADWAY



FILE NAME =	USER NAME = hoganbj	DESIGNED - BJH	REVISED -
et:\pwork\pwork\hoganbj\d0142533\0570093\52-sht-details.CEL		DRAWN - 4/25/2011	REVISED -
		CHECKED -	REVISED -
		DATE -	REVISED -

STATE OF ILLINOIS
DEPARTMENT OF TRANSPORTATION

STAGE 2 REMOVAL & CONSTRUCTION DETAILS

SCALE: _____ SHEET NO. 1 OF 1 SHEETS STA. _____ TO STA. _____

F.A.P. RTE.	SECTION	COUNTY	TOTAL SHEETS	SHEET NO.
315	121BR-2	MCLEAN	144	34
CONTRACT NO. 70552				
ILLINOIS FED. AID PROJECT				