
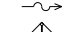


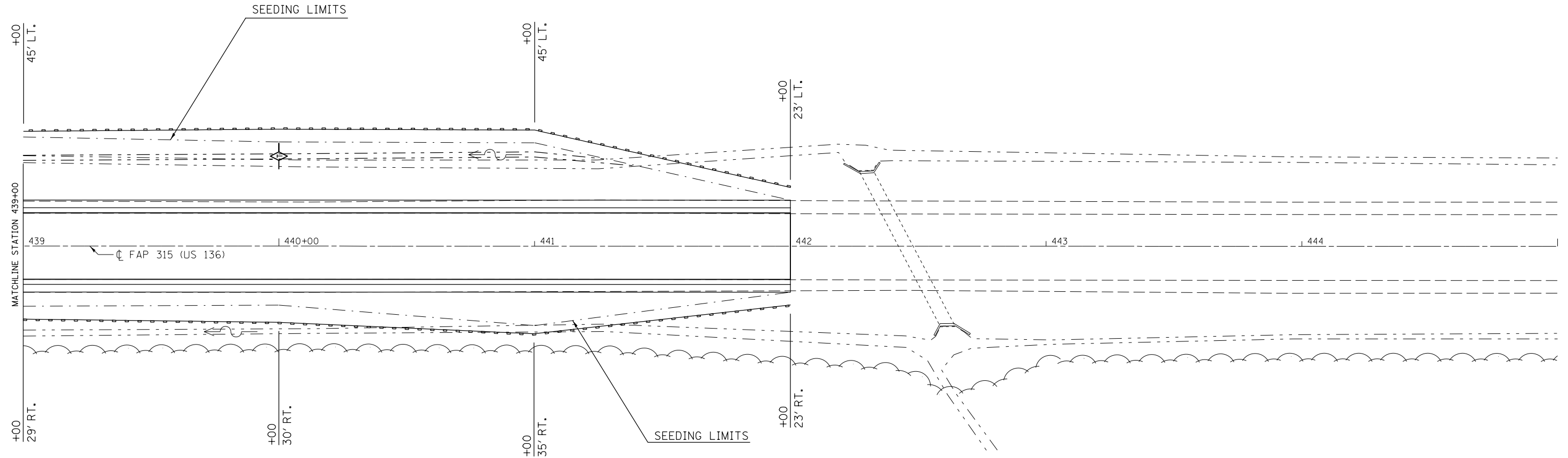




STATION TO STATION		OFFSET	TEMP. DITCH CHECKS 28000305 (FOOT)	PERIMETER EROSION BARRIER 28000400 (FOOT)	INLET AND PIPE PROTECTION 28000500 (EACH)
439+00	442+00	LT		303.0	
440+00	440+00	LT	15.0		
439+00	442+00	RT		300.0	
SHEET 1 THROUGH 5 TOTALS =			180.0	3950.0	5.0

LEGEND

- TEMPORARY DITCH CHECK 
- ROADWAY DITCH FLOW 
- INLET AND PIPE PROTECTION 
- PERIMETER EROSION BARRIER 



FILE NAME =	USER NAME = hoganbj	DESIGNED - BJH	REVISED - _____
et:\pwork\pwork\hoganbj\d0142533\0570652-sht-details.CEL		DRAWN - 5/18/2011	REVISED - _____
	PLOT SCALE = 40.0000' / in.	CHECKED - _____	REVISED - _____
	PLOT DATE = 8/22/2011	DATE - _____	REVISED - _____

**STATE OF ILLINOIS
DEPARTMENT OF TRANSPORTATION**

EROSION CONTROL PLAN SHEET

SCALE: _____ SHEET NO. 5 OF 5 SHEETS STA. _____ TO STA. _____

F.A.P. RTE.	SECTION	COUNTY	TOTAL SHEETS	SHEET NO.
315	121BR-2	MCLEAN	144	39
CONTRACT NO. 70552				
ILLINOIS FED. AID PROJECT				