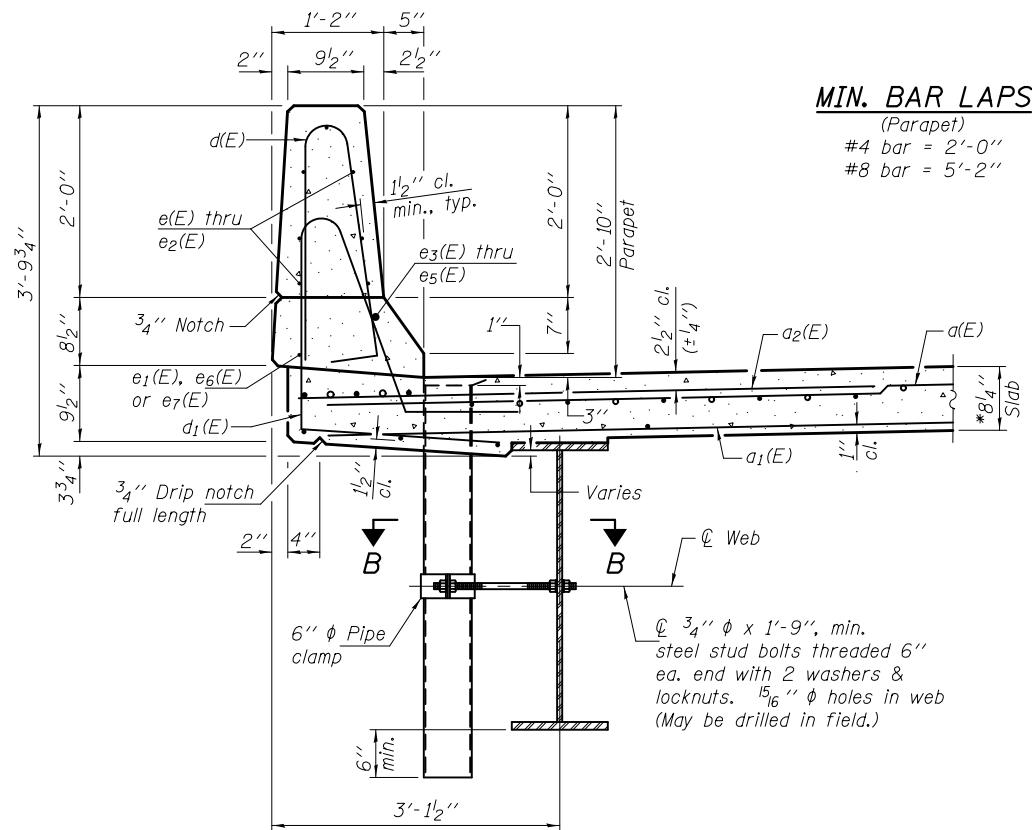
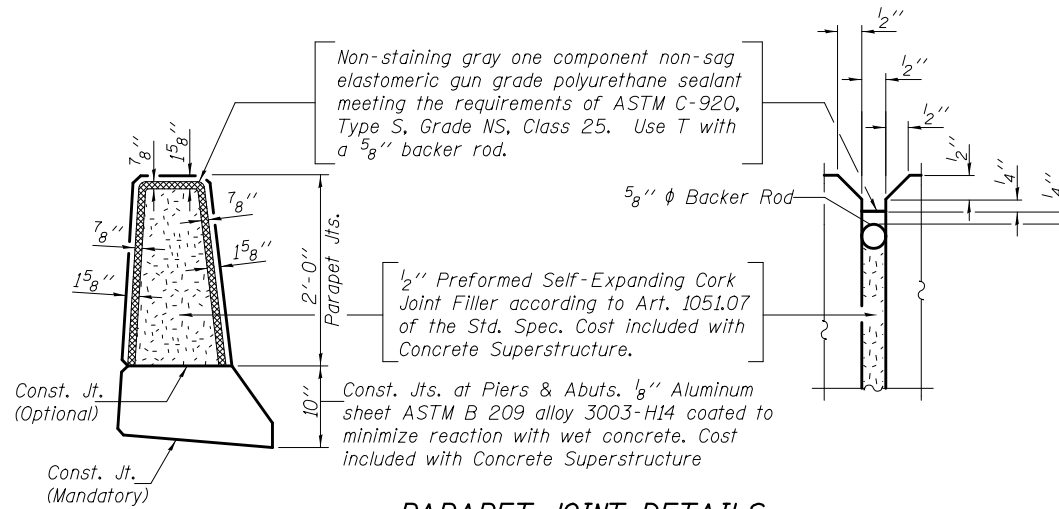


PARAPET ELEVATION
(Measured along inside face)



SECTION THRU PARAPET

MIN. BAR LAPS
(Parapet)
#4 bar = 2'-0"
#8 bar = 5'-2"



PARAPET JOINT DETAILS

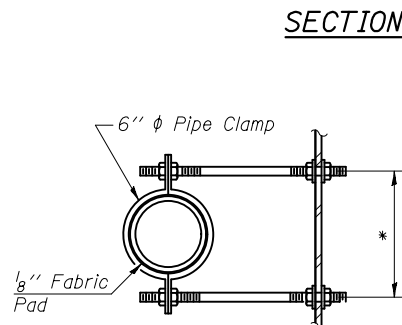
Notes:
The exterior surfaces of the floor drains shall not be painted.
Fiberglass pipe shall conform to ASTM D 2996, with short-time rupture strength hoop tensile stress of 30,000 p.s.i. minimum.
Galvanize clamping device according to AASHTO M232. Cost of clamping device and inserts is included with Floor Drains.

*Prior to grinding.

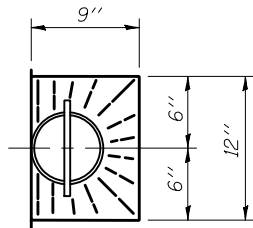
SUPERSTRUCTURE
BILL OF MATERIAL

Bar	No.	Size	Length	Shape
a(E)	1146	#5	19'-2"	—
a1(E)	746	#5	18'-3"	—
a2(E)	1146	#6	6'-6"	—
b(E)	546	#5	26'-10"	—
b1(E)	228	#6	21'-1"	—
b2(E)	456	#5	28'-10"	—
d(E)	678	#5	5'-7"	⌒
d1(E)	678	#5	7'-10"	⌒
e(E)	140	#4	16'-8"	—
e1(E)	64	#4	15'-0"	—
e2(E)	56	#4	19'-7"	—
e3(E)	12	#8	31'-8"	—
e4(E)	8	#8	15'-0"	—
e5(E)	6	#8	29'-11"	—
e6(E)	12	#4	29'-6"	—
e7(E)	6	#4	27'-9"	—
m(E)	8	#6	8'-3"	—
m1(E)	16	#6	9'-5"	—
m2(E)	8	#6	6'-4"	—
m3(E)	4	#6	3'-0"	—
m4(E)	4	#6	2'-10"	—
m5(E)	20	#6	19'-4"	—
s(E)	84	#5	6'-10"	⌒
s1(E)	76	#4	11'-6"	⌒
v(E)	80	#5	3'-10"	⌒
Reinforcement Bars, Epoxy Coated Concrete Superstructure			Pound	101610
			Cu. Yds.	425.1

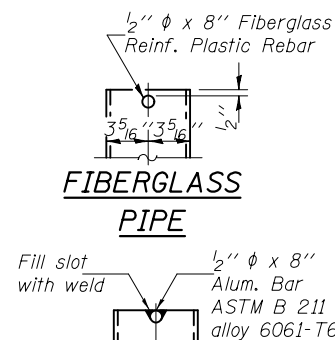
Bars indicated thus 1 x 3-#4 etc. indicates 1 line of bars with 3 lengths per line.



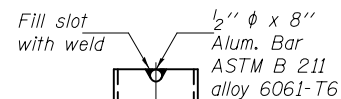
SECTION B-B
*Dimension as required by Pipe Clamp



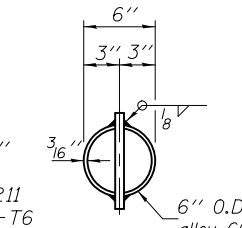
TOP PLAN



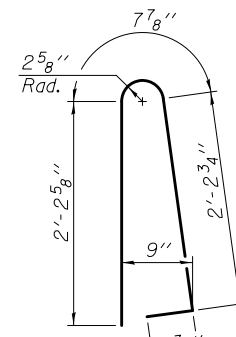
FIBERGLASS PIPE



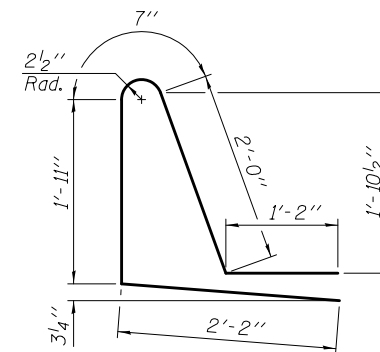
ALUMINUM TUBE



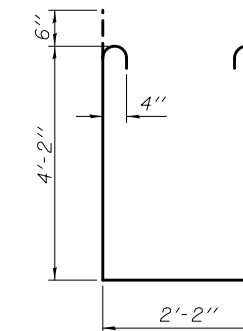
TOP PLAN
(Showing Aluminum Tube)



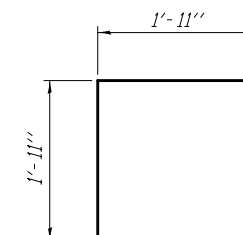
BAR d(E)



BAR d1(E)



BAR s(E)



BAR s1(E)



BAR v(E)

DESIGNED - Michael D. Rolape
CHECKED - Nicholas R. Barnett
DRAWN - h.t. duong
CHECKED - MDR/NRB

EXAMINED
PASSED
Thomas J. Domagalicki
ENGINEER OF BRIDGE DESIGN
d. Carl...
ENGINEER OF BRIDGES AND STRUCTURES

DATE - OCTOBER 5, 2011

STATE OF ILLINOIS
DEPARTMENT OF TRANSPORTATION

SUPERSTRUCTURE DETAILS
STRUCTURE NO. 057-0244

SHEET NO. 12 OF 30 SHEETS

F.A.P. RTE.	SECTION	COUNTY	TOTAL SHEETS	SHEET NO.
315	121 BR-2	MCLEAN	144	60
				CONTRACT NO. 70552
ILLINOIS FED. AID PROJECT				