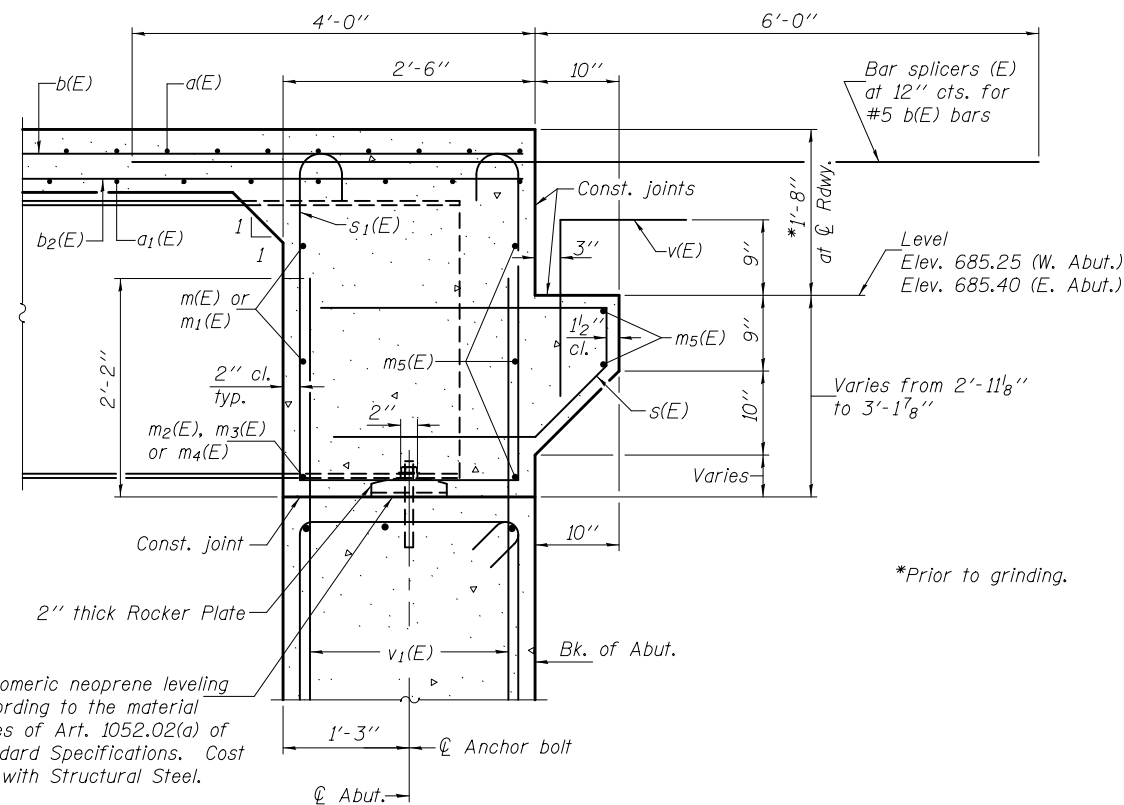


**DIAPHRAGM ELEVATION AT EAST ABUTMENT**  
 (Looking east - West abutment similar)

Notes: Reinforcement bars in diaphragm are billed with superstructure on sheet 12 of 30.  
 Concrete in diaphragm is included with Concrete Superstructure on sheet 12 of 30.  
 For details of bars s(E) & s<sub>1</sub>(E) see sheet 12 of 30.  
 For bar splicer (E) details see sheet 23 of 30.



**MIN. BAR LAP**  
 #6 bar = 3'-10"

\*Prior to grinding.

**SECTION A-A**

SI-DS1

7-1-10

DESIGNED - Michael D. Rolape  
 CHECKED - Nicholas R. Barnett  
 DRAWN - h.t. duong  
 CHECKED - MDR/NRB

EXAMINED  
 PASSED

*Thomas J. Domagalicki*  
 ENGINEER OF BRIDGE DESIGN  
*Carl P. ...*  
 ENGINEER OF BRIDGES AND STRUCTURES

DATE - OCTOBER 5, 2011

STATE OF ILLINOIS  
 DEPARTMENT OF TRANSPORTATION

INTEGRAL ABUTMENT DIAPHRAGM DETAILS  
 STRUCTURE NO. 057-0244

SHEET NO. 13 OF 30 SHEETS

F.A.P. RTE.	SECTION	COUNTY	TOTAL SHEETS	SHEET NO.
315	121 BR-2	MCLEAN	144	61
CONTRACT NO. 70552				
ILLINOIS FED. AID PROJECT				