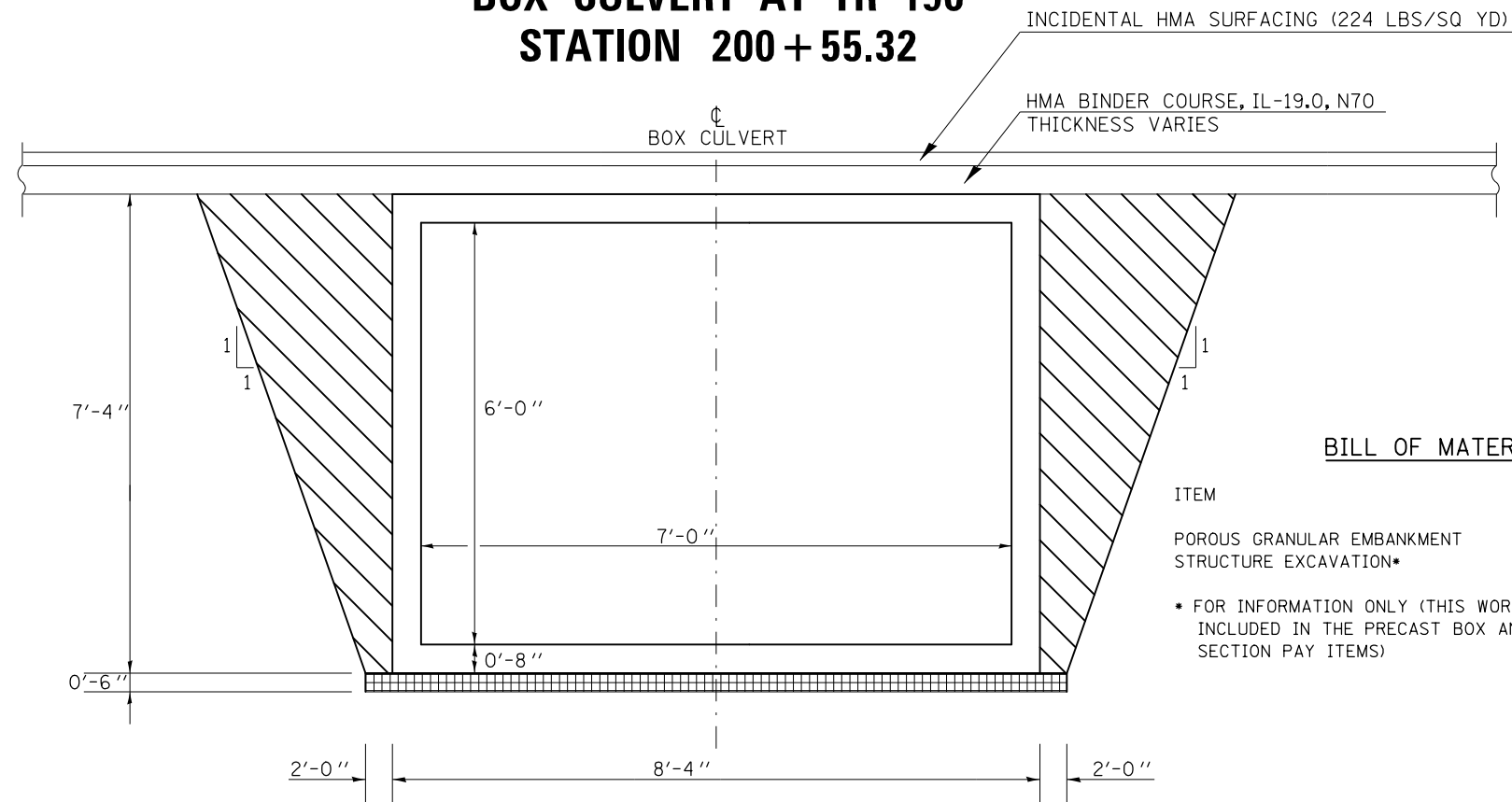


BOX CULVERT AT TR 190 STATION 200 + 55.32



INCIDENTAL HMA SURFACING (224 LBS/SQ YD)

HMA BINDER COURSE, IL-19.0, N70
THICKNESS VARIES

BOX CULVERT

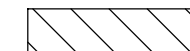
BILL OF MATERIAL

ITEM	UNIT	QUANT.
POROUS GRANULAR EMBANKMENT	CU YD	140.0
STRUCTURE EXCAVATION*	CU YD	307.6

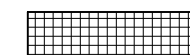
* FOR INFORMATION ONLY (THIS WORK SHALL BE INCLUDED IN THE PRECAST BOX AND END SECTION PAY ITEMS)

NOTES:

- POROUS GRANULAR EMBANKMENT SHALL EXTEND 2'-0" BEYOND THE AGGREGATE OR EARTH SHOULDER.
- WORK SHOWN IN THIS DETAIL SHALL BE PERFORMED ACCORDING TO THE APPLICABLE PORTIONS OF ARTICLES 207 AND 540 OF THE STANDARD SPECIFICATIONS AND SHALL BE PAID FOR AT THE CONTRACT UNIT PRICE PER CUBIC YARD FOR POROUS GRANULAR EMBANKMENT.
- ADDITIONAL UNDERCUT MAY BE SPECIFIED AT SOME BOX CULVERTS.
- THIS DETAIL IS NOT DRAWN TO SCALE.

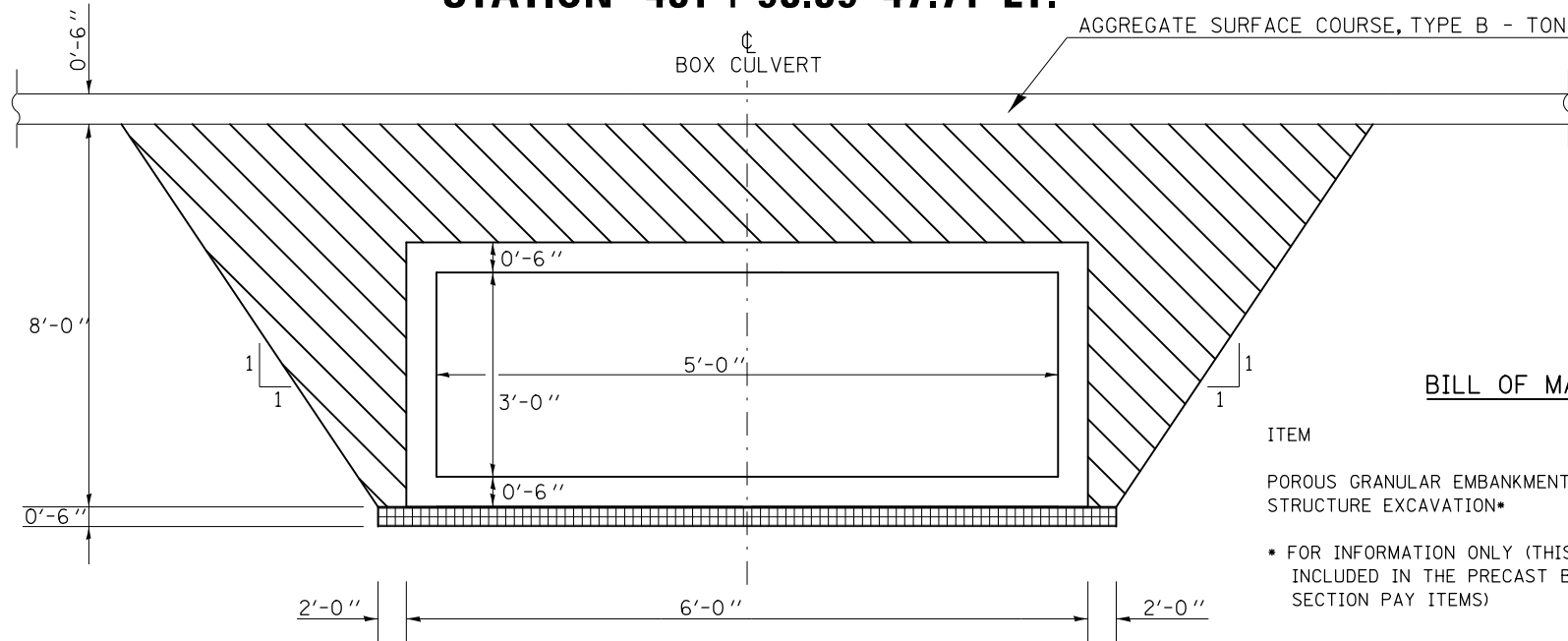


PAY LIMITS OF POROUS GRANULAR EMBANKMENT - CA-6



POROUS GRANULAR MATERIAL - CA 7 (6'') INCLUDED IN PAY ITEM FOR BOX CULVERT

BOX CULVERT AT F.E. STATION 431 + 93.39 47.71' LT.



AGGREGATE SURFACE COURSE, TYPE B - TON

BOX CULVERT

BILL OF MATERIAL

ITEM	UNIT	QUANT.
POROUS GRANULAR EMBANKMENT	CU YD	125.0
STRUCTURE EXCAVATION*	CU YD	210.7

* FOR INFORMATION ONLY (THIS WORK SHALL BE INCLUDED IN THE PRECAST BOX AND END SECTION PAY ITEMS)

Note: All dimensions are in INCHES (millimeters) unless otherwise shown.

FILE NAME =	USER NAME = hoganbj	DESIGNED - BJH	REVISED - _____
et:\pw\work\p\dot\hoganbj\d0142533\0570552-sht-details.CEL		DRAWN - 3/15/2011	REVISED - _____
	PLOT SCALE = 40.0000' / in.	CHECKED - _____	REVISED - _____
	PLOT DATE = 8/24/2011	DATE - _____	REVISED - _____

**STATE OF ILLINOIS
DEPARTMENT OF TRANSPORTATION**

POROUS GRANULAR EMBANKMENT DETAILS

SCALE: _____ SHEET NO. ___ OF ___ SHEETS STA. _____ TO STA. _____

F.A.P. RTE.	SECTION	COUNTY	TOTAL SHEETS	SHEET NO.
315	121BR-2	MCLEAN	144	94
CONTRACT NO. 70552				
ILLINOIS FED. AID PROJECT				