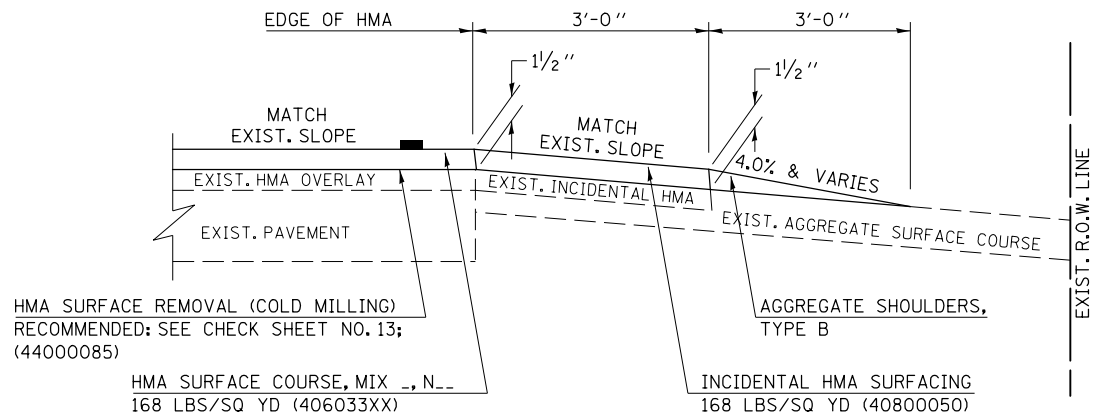


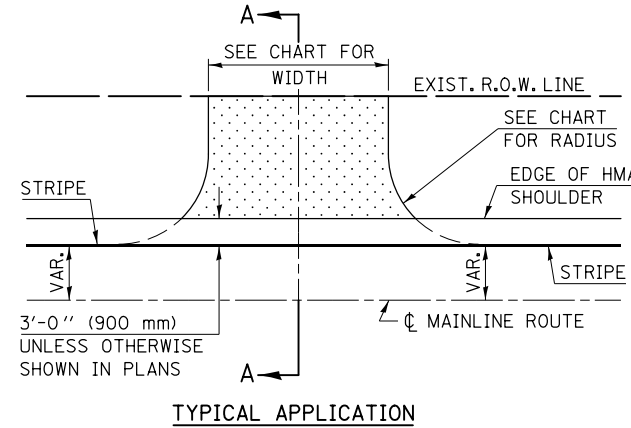
PROJECTS WITHOUT RECONSTRUCTION
 ("3R" WITHOUT RECONSTRUCTION, 3P, SMART AND CM)

S.M.A.R.T. IMPROVEMENTS
 (POLICY RESURFACING; BDE 53-4.03; 1/2")

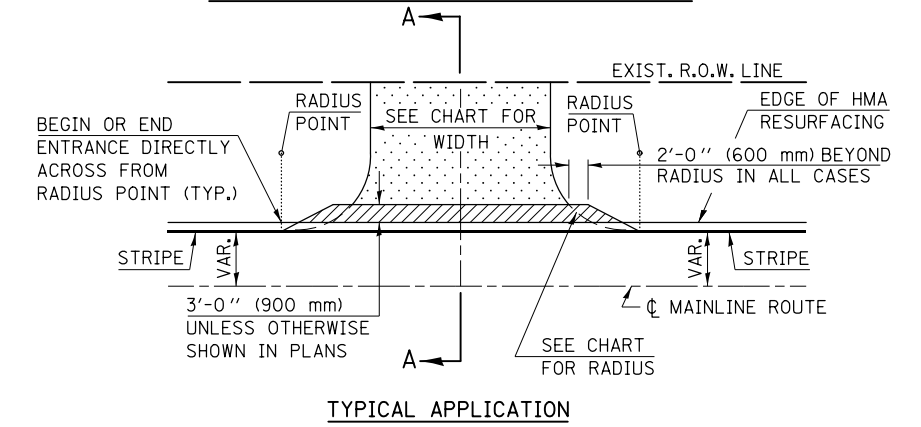


PROJECTS WITH RECONSTRUCTION
 ("3R" IMPROVEMENTS AND SMART/3P "SPOT" LOCATIONS)

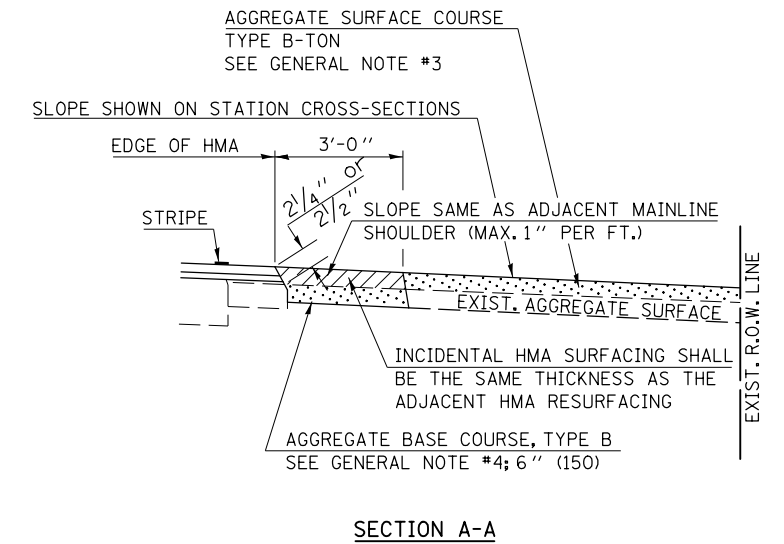
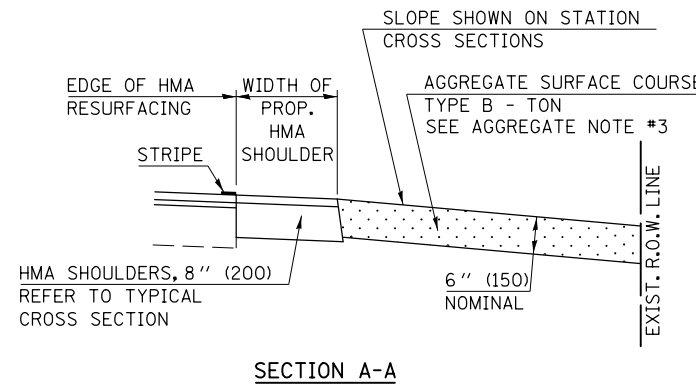
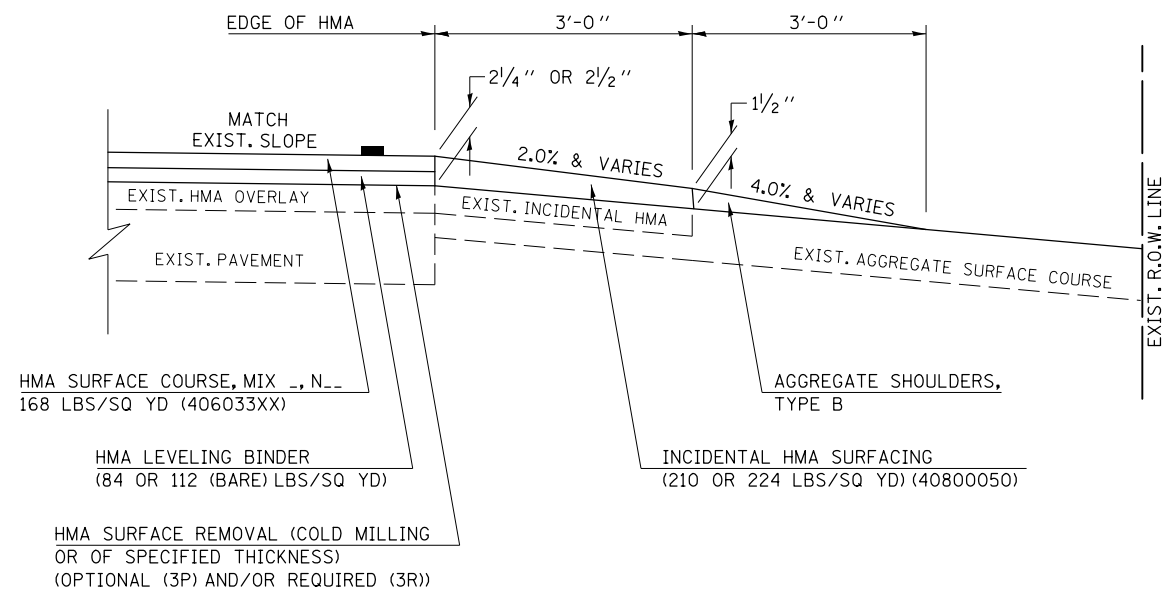
ADJACENT TO PROPOSED HMA SHOULDERS
 (AGGREGATE OR EARTH ENTRANCE)



EXISTING AGGREGATE OR EARTH ENTRANCE



"3P" OR "3R" IMPROVEMENTS
 (POLICY RESURFACING; BDE 53-4.02; 2/4" OR 2/2" ON BARE CONCRETE)



Note: All dimensions are in INCHES (millimeters) unless otherwise shown.

DISTRICT 5 DETAIL NO. 40800050A

FILE NAME =	USER NAME = hoganbj	DESIGNED -	REVISED - 12/01/06 TJB
et:\pw\work\p\id\hoganbj\d0142533\0570652-sht-details.CEL		DRAWN -	REVISED - 09/21/07 KAG
	PLOT SCALE = 40.0000' / in.	CHECKED -	REVISED - 04/30/08 KJT
	PLOT DATE = 8/22/2011	DATE -	REVISED -

STATE OF ILLINOIS
DEPARTMENT OF TRANSPORTATION

FIELD ENTRANCES (NONCOMMERCIAL RURAL)

SCALE: NA SHEET NO. 1 OF 2 SHEETS STA. TO STA.

F.A.P. RTE.	SECTION	COUNTY	TOTAL SHEETS	SHEET NO.
315	121BR-2	MCLEAN	144	99
CONTRACT NO. 70552				
FED. ROAD DIST. NO. ILLINOIS FED. AID PROJECT				