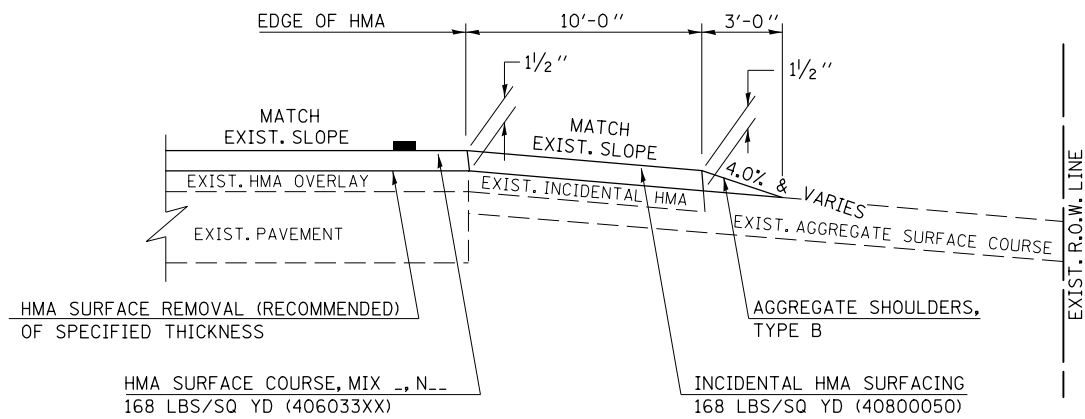


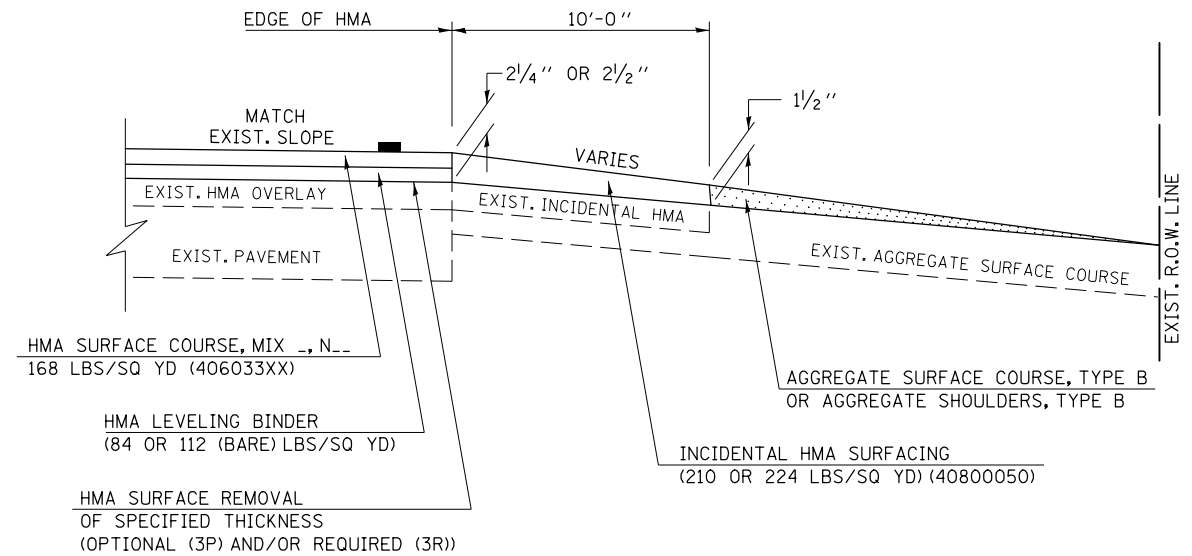
PROJECTS WITHOUT RECONSTRUCTION

S.M.A.R.T. IMPROVEMENTS (POLICY RESURFACING; BDE 53-4.03; 1/2")

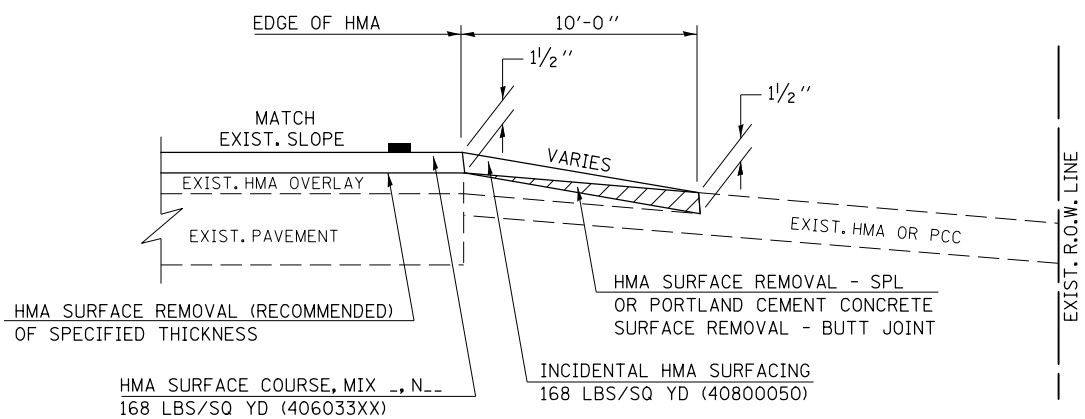


EXISTING AGGREGATE ENTRANCE

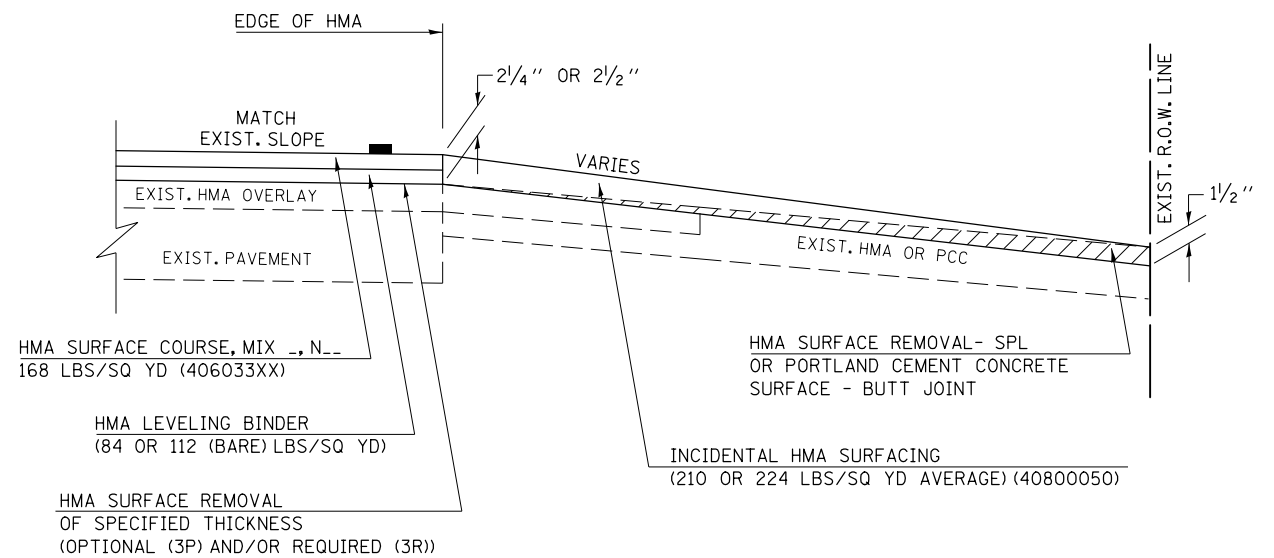
"3P" OR "3R" IMPROVEMENTS (POLICY RESURFACING; BDE 53-4.02; 2/4" OR 2/2" ON BARE CONCRETE)



EXISTING AGGREGATE ENTRANCE



EXISTING HMA OR PCC ENTRANCE



EXISTING HMA OR PCC ENTRANCE

Note: All dimensions are in INCHES (millimeters) unless otherwise shown.

DISTRICT 5 DETAIL NO. 4080050C

FILE NAME =	USER NAME = hogenbj	DESIGNED -	REVISED - 12/08/06 TJB
et:\pw\work\p\idot\hogenbj\d0142533\0570052-sht-details.CEL		DRAWN -	REVISED - 09/21/07 KAG
		CHECKED -	REVISED - 05/02/08_KJI
		DATE -	REVISED - 04/23/10_KJI

**STATE OF ILLINOIS
DEPARTMENT OF TRANSPORTATION**

PRIVATE AND COMMERCIAL ENTRANCES (NONCOMMERCIAL AND COMMERCIAL RURAL)		
SCALE: NA	SHEET NO. 1 OF 2 SHEETS	STA. TO STA.

F.A.P. RTE.	SECTION	COUNTY	TOTAL SHEETS	SHEET NO.
315	121BR-2	MCLEAN	144	101
CONTRACT NO. 70552				
FED. ROAD DIST. NO. ILLINOIS FED. AID PROJECT				