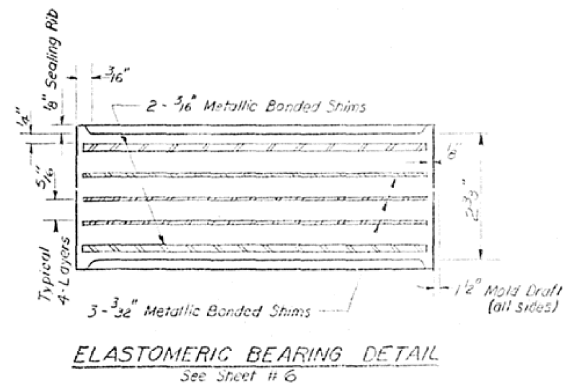
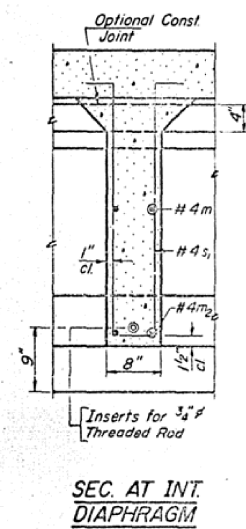
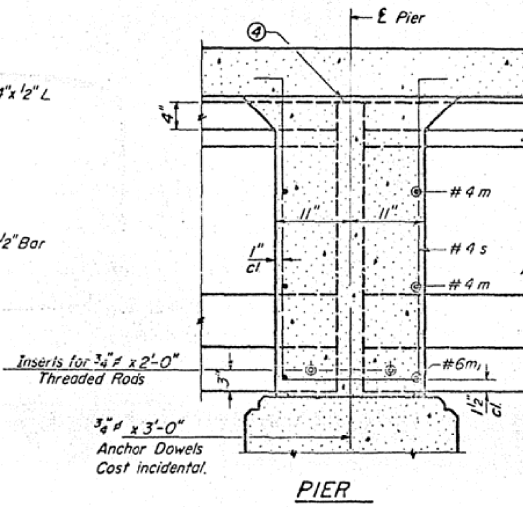
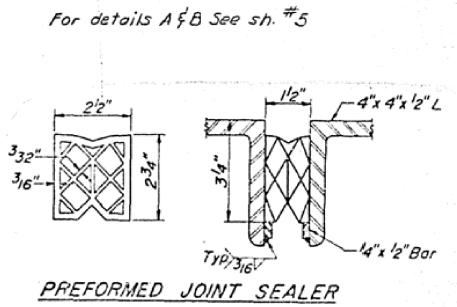
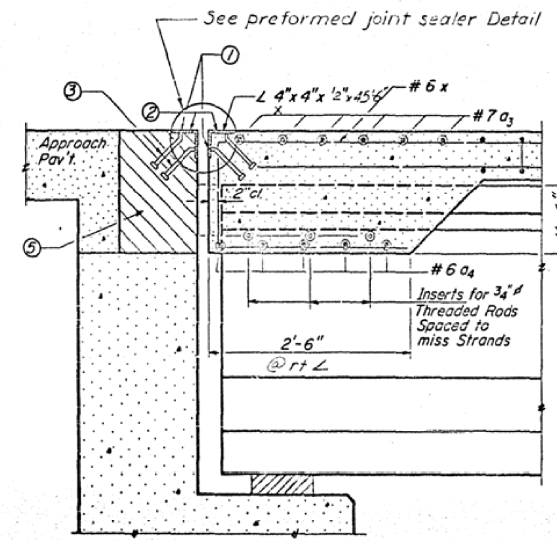
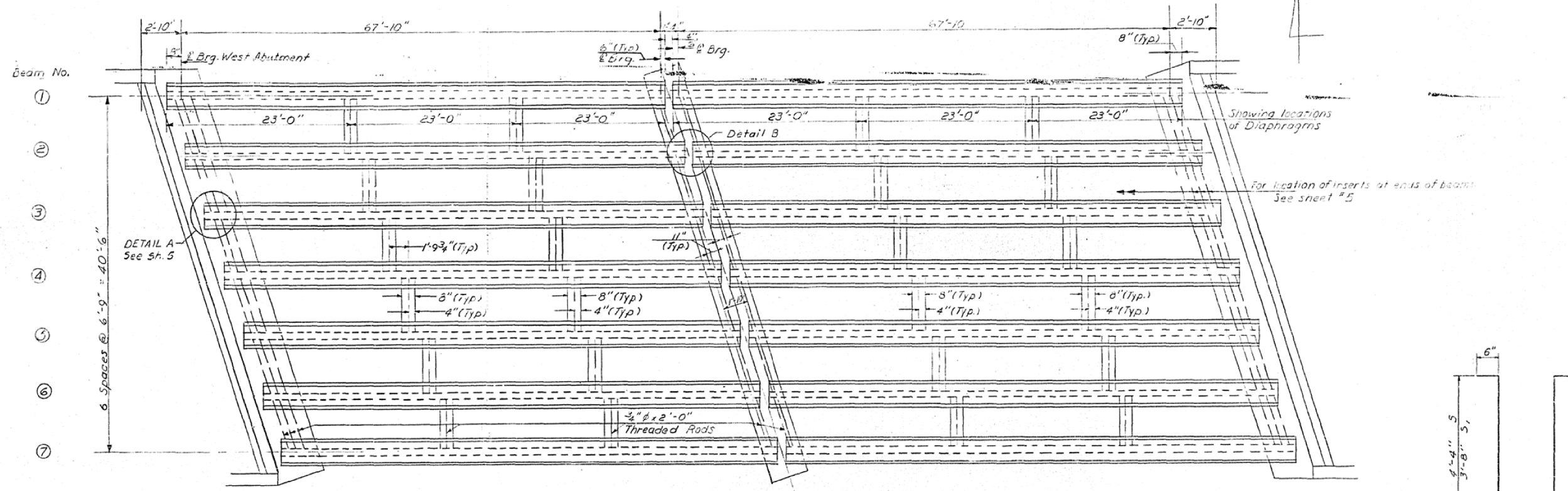


AS-BUILT PLANS FOR INFORMATION ONLY

STATE OF ILLINOIS
DEPARTMENT OF PUBLIC WORKS & BUILDINGS
DIVISION OF HIGHWAYS

ROUTE NO.	SECTION	COUNTY	TOTAL SHEETS	SHEET NO.
11	38BR-1	VERMILION	116	19
FED. ROAD DIST. NO. 1 ILLINOIS FED. AID PROJECT				



DESIGNED	A. V. Khayyat
CHECKED	[Signature]
DRAWN	Walter B. Robinson
CHECKED	[Signature]

PI-2J 1-27-66

EXAMINED	[Signature]	DEC. 12 1963
PASSED	[Signature]	
APPROVED	[Signature]	

1. 1/8" holes at 12" cts for 3/8" bolts set on normal gage line. All bolts shall be burned, sawed or chipped off flush with the back of angles after forms are removed.
2. 1/8" vent holes at 12" cts. set on 1/8" gage line.
3. 3/4" x 8" CR 1020 STL granular or solid flux filled headed studs—automatically end welded. (alternate at 1'-0" cts.)
4. Pour diaphragm flush with top of beam. Concrete in slab above this line shall be placed not less than 45 minutes nor more than 90 minutes after diaphragm has been poured.
5. Hatched area to be poured after Superstructure forms have been removed. Quantity of Class X Concrete included with Superstructure.

FRAMING PLAN
PART II SEC. 38 BR
VERMILION COUNTY
STA. 8+97.50