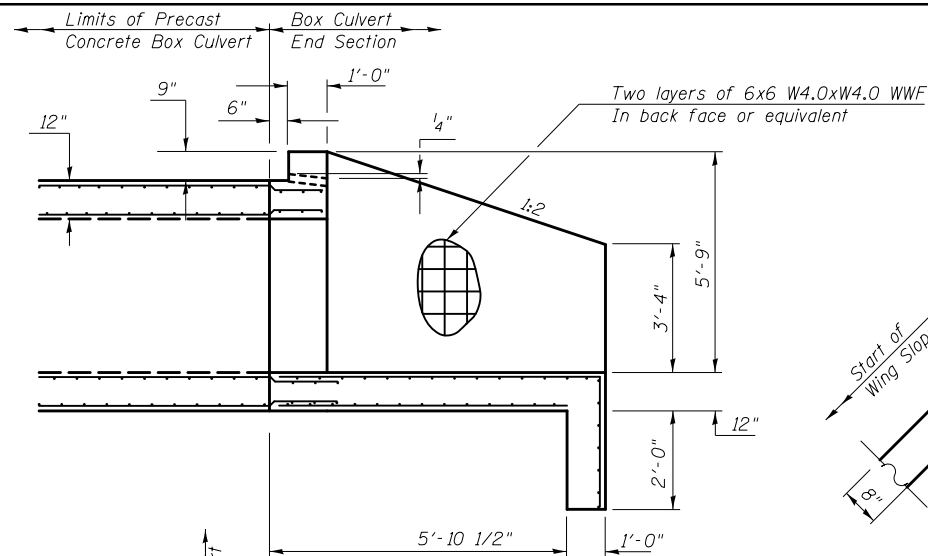
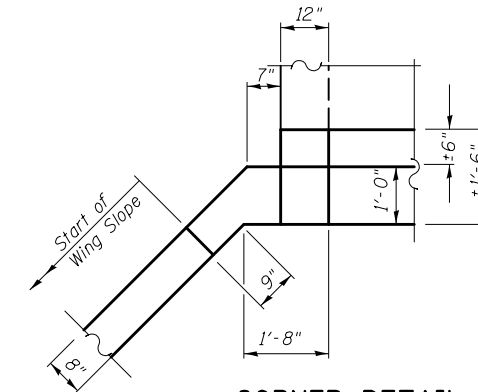


**END ELEVATION**

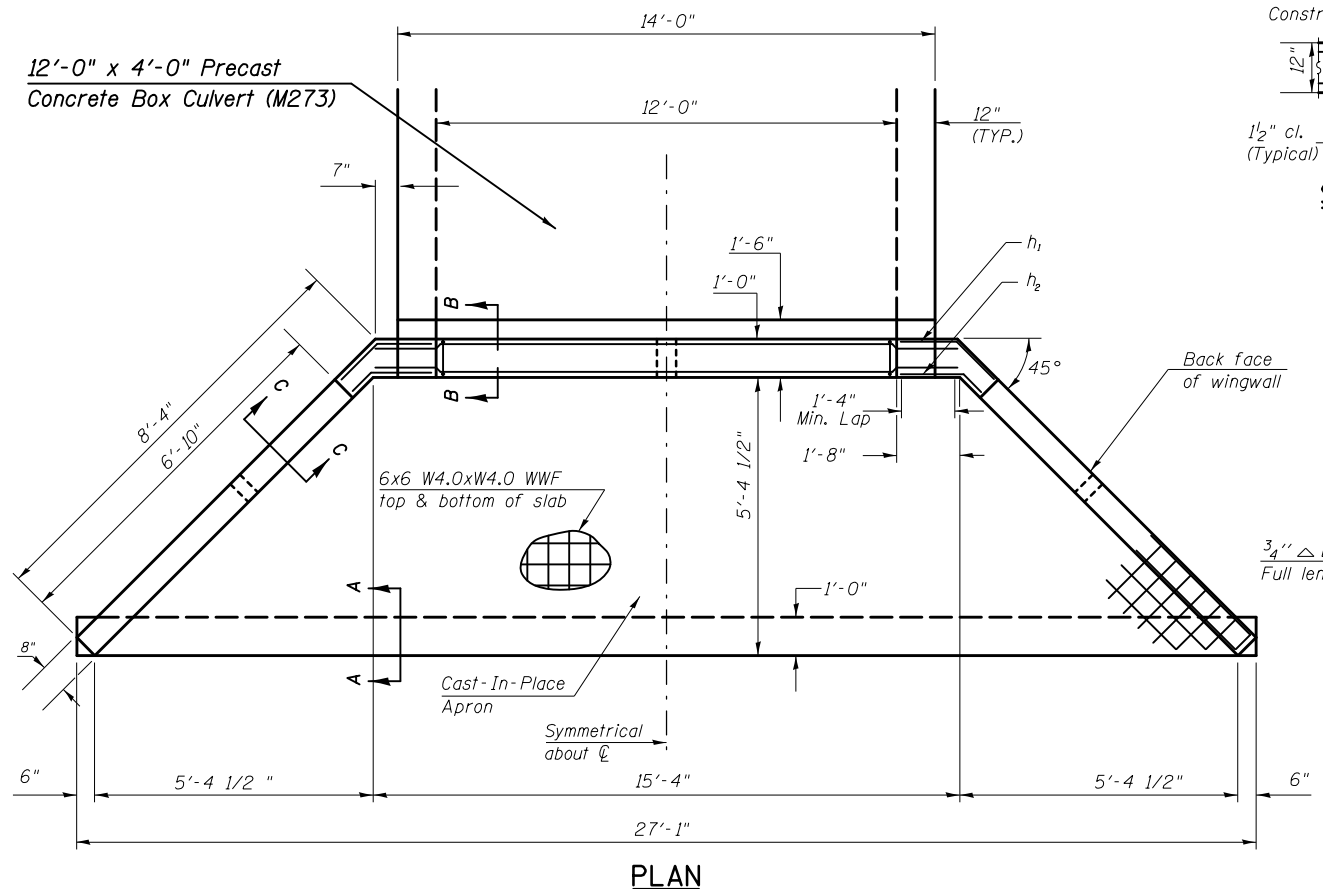


**HALFSIDE ELEVATION**

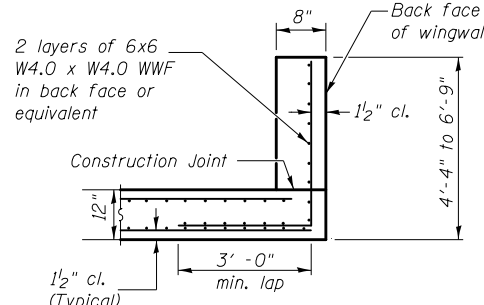
(DIMENSIONS AT RIGHT ANGLES TO CL ROADWAY)



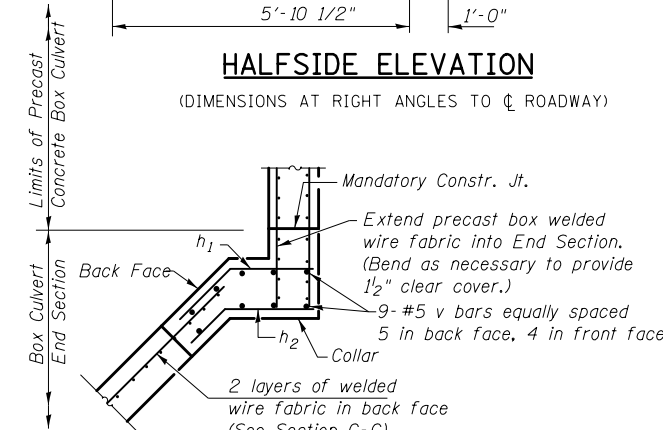
**CORNER DETAIL**  
(Showing dimensions)



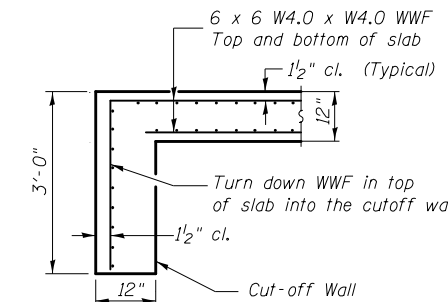
**PLAN**



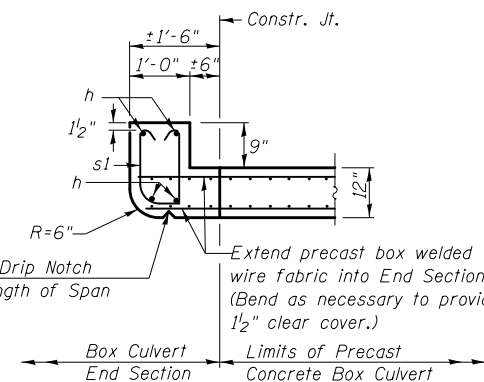
**SECTION C-C**  
WINGWALLS



**SECTION D-D**

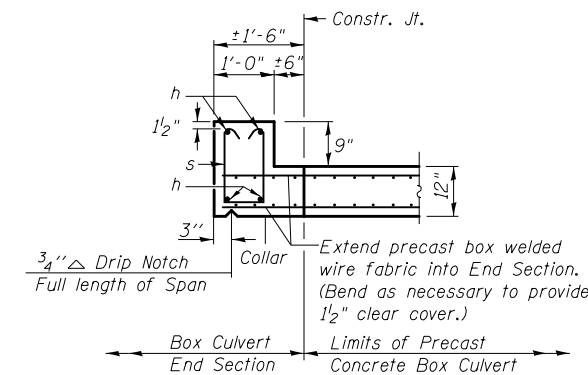


**SECTION A-A**



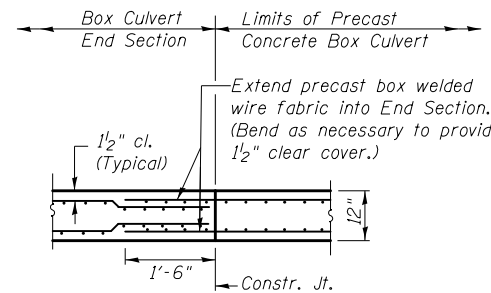
**SECTION E-E**

TOP SLAB / HEADWALL UPSTREAM END



**SECTION E-E**

TOP SLAB / HEADWALL DOWNSTREAM END



**SECTION B-B**

BOTTOM SLAB

**BILL OF MATERIAL**

For Information Only  
(One End Section)

Bar	No.	Size	Length	Shape
h	4	#6	15'-1"	—
h1	12	#4	2'-9"	—
h2	12	#4	2'-2"	—
s or s1	13	#4	4'-6"	□
v	18	#5	6'-6"	—
Item		Unit	Total	
Concrete Box Culverts		Cu. Yd.	11.3	
Reinforcement Bars		Pound	291.0	
Welded Wire Fabric		Sq. Ft.	643.7	

**END SECTION DETAILS**

**SINGLE 12'x4' PRECAST BOX CULVERT**  
**F.A.P. ROUTE 749 - SECTION 14BR,14CR,123CR**  
**STATION 126+55.00 S.N. 023-8064**  
**CULVERT NO. 1**

FILE NAME =	USER NAME = keysrb	DESIGNED -	REVISED -
ei:\pwork\pwork\keysrb\d0104347\057068-sht-details.dgn		DRAWN -	REVISED -
		CHECKED -	REVISED -
		DATE -	REVISED -

**STATE OF ILLINOIS**  
**DEPARTMENT OF TRANSPORTATION**

**BOX CULVERT END SECTION DETAILS**  
**PROPOSED CULVERT NO. 1 - S.N. 023-8064**

SCALE: SHEET NO. 2 OF 4 SHEETS STA. TO STA.

F.A.P. RTE.	SECTION	COUNTY	TOTAL SHEETS	SHEET NO.
749	14BR,14CR,123CR	EDGAR	115	20
			CONTRACT NO. 70618	
ILLINOIS FED. AID PROJECT				