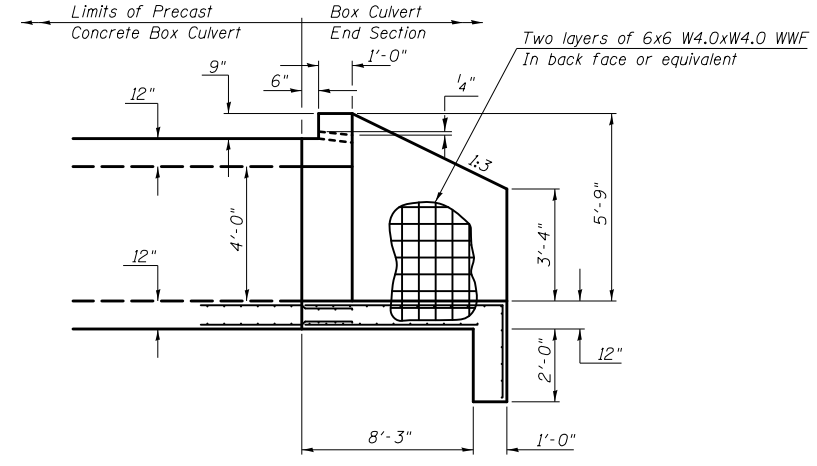
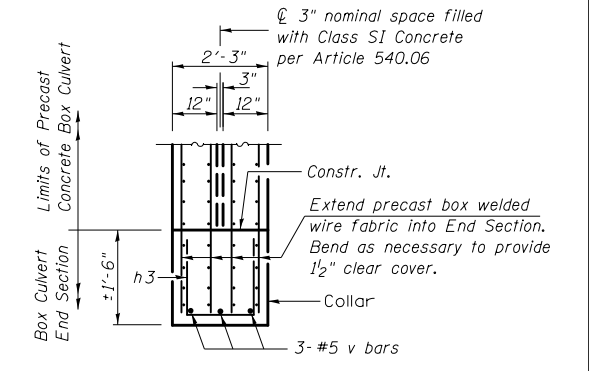


END ELEVATION



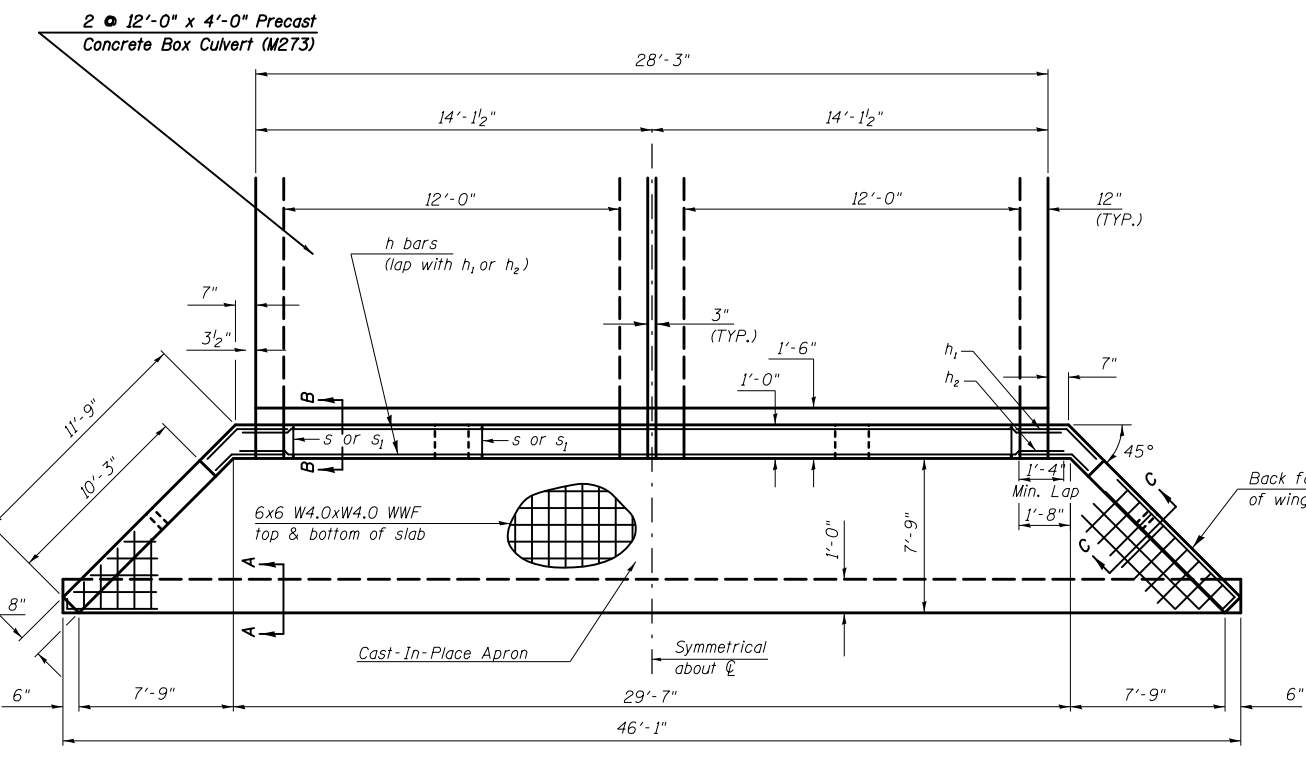
HALF SIDE ELEVATION

(DIMENSIONS AT RIGHT ANGLES TO ϕ OF ROADWAY)

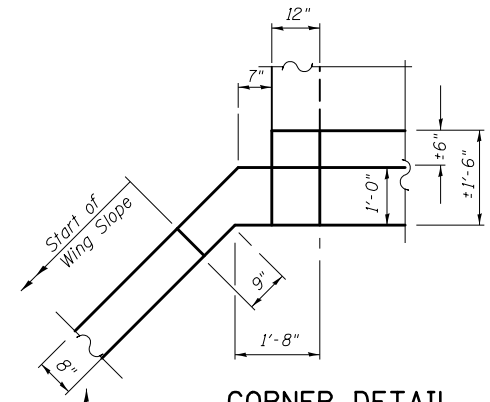


SECTION E-E

Tilt or adjust h_3 bar as necessary to fit

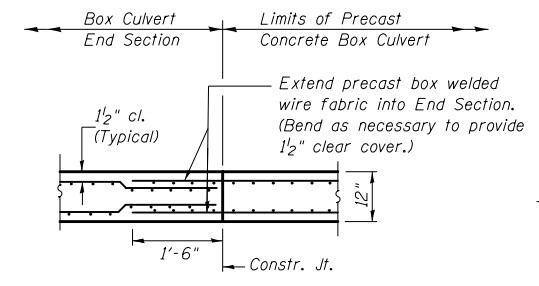


PLAN



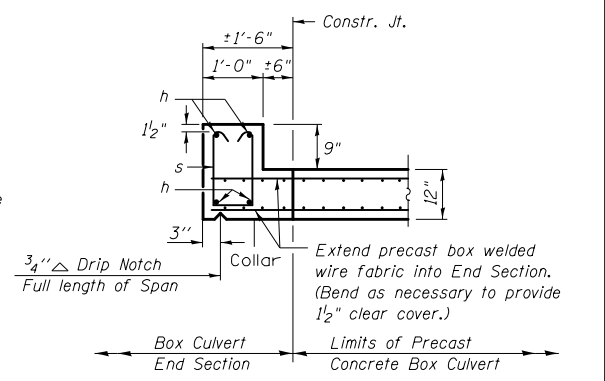
CORNER DETAIL

(Showing dimensions)



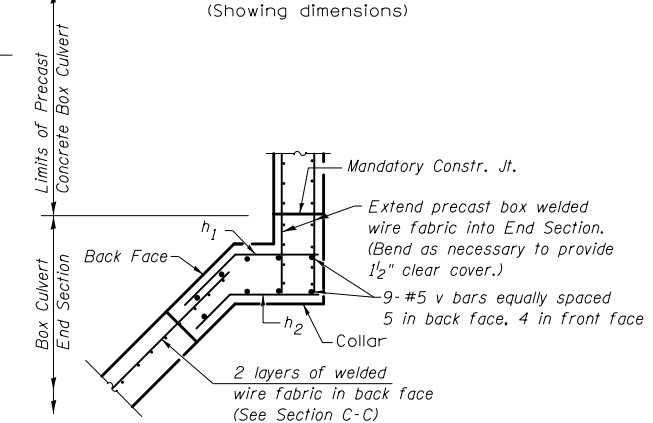
SECTION B-B

BOTTOM SLAB



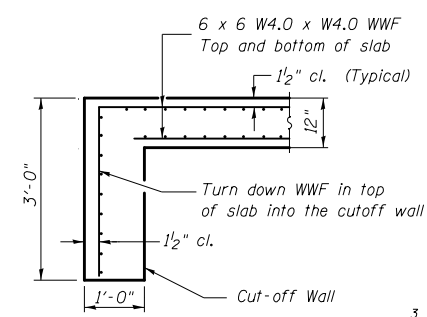
SECTION F-F

TOP SLAB / HEADWALL DOWNSTREAM END

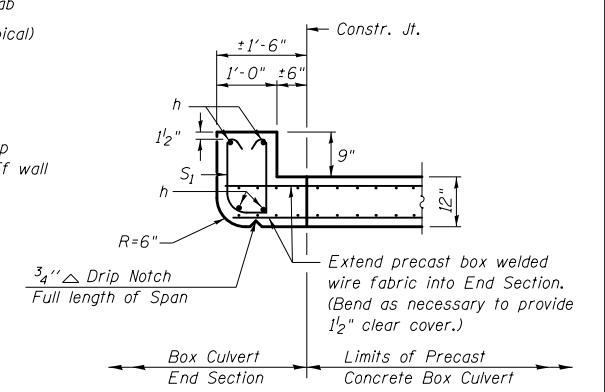


SECTION D-D

(Showing reinforcement)



SECTION A-A



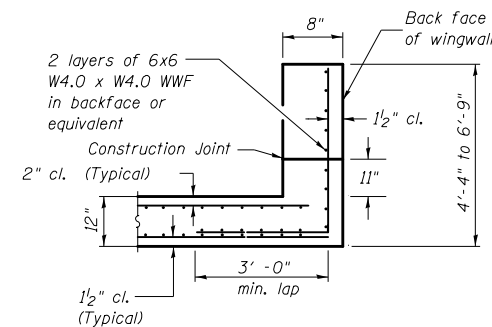
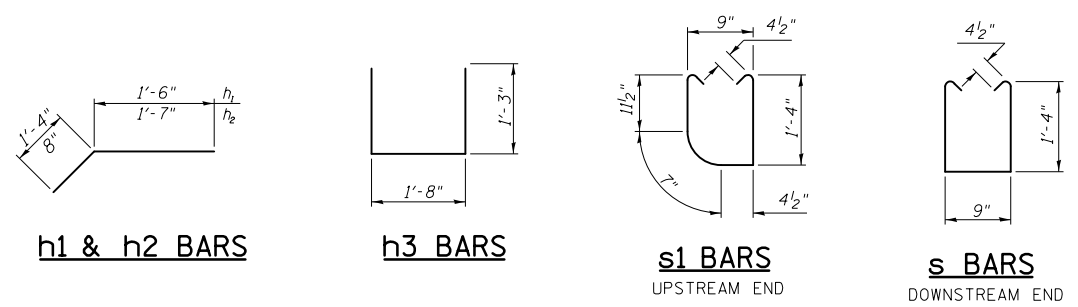
SECTION F-F

TOP SLAB / HEADWALL UPSTREAM END

BILL OF MATERIAL

For Information Only
(One End Section)

Bar	No.	Size	Length	Shape
h	4	#6	28'-11"	
h1	12	#4	2'-10"	
h2	12	#4	2'-3"	
h3	6	#4	4'-2"	
s or s1	24	#4	4'-2"	
v	21	#5	6'-2"	
Item		Unit	Total	
Class SI Concrete		Cu. Yd.	23.0	
Reinforcement Bars		Pound	433.0	
Welded Wire Fabric		Sq. Ft.	1,225.2	



SECTION C-C

END SECTION DETAILS
DOUBLE 12'x4' PRECAST BOX CULVERT
F.A.P. ROUTE 749 - SECTION 14BR,14CR,123CR
STATION 232+00.00 S.N. 023-2018
CULVERT NO. 2

FILE NAME =	USER NAME = keysrb	DESIGNED -	REVISED -
ei:\pwwork\pwwork\keysrb\d0104347\057068-sht-details.dgn		DRAWN -	REVISED -
PLOT SCALE = 48.0000' / in.		CHECKED -	REVISED -
PLOT DATE = 8/25/2011		DATE -	REVISED -

STATE OF ILLINOIS
DEPARTMENT OF TRANSPORTATION

BOX CULVERT END SECTION DETAILS		
PROPOSED CULVERT NO. 2 - S.N. 023-2018		
SCALE:	SHEET NO. 2 OF 5 SHEETS	STA. TO STA.

F.A.P. RTE.	SECTION	COUNTY	TOTAL SHEETS	SHEET NO.
749	14BR,14CR,123CR	EDGAR	115	25
CONTRACT NO. 70618				
ILLINOIS FED. AID PROJECT				