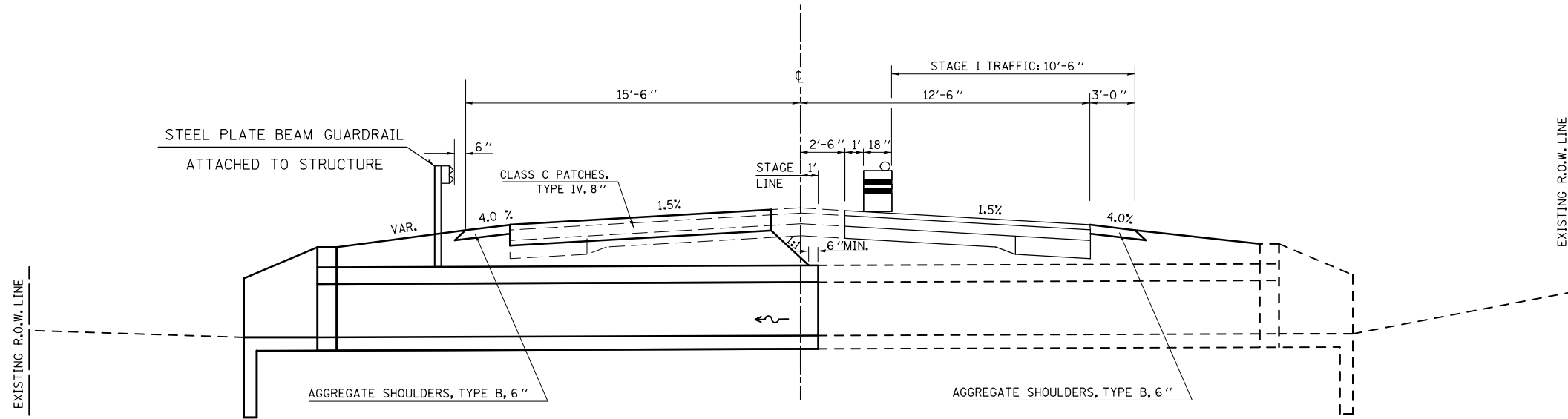


TYPICAL STAGING DETAILS

**CULVERT #2 PROPOSED SN 023-2018
STAGE I**

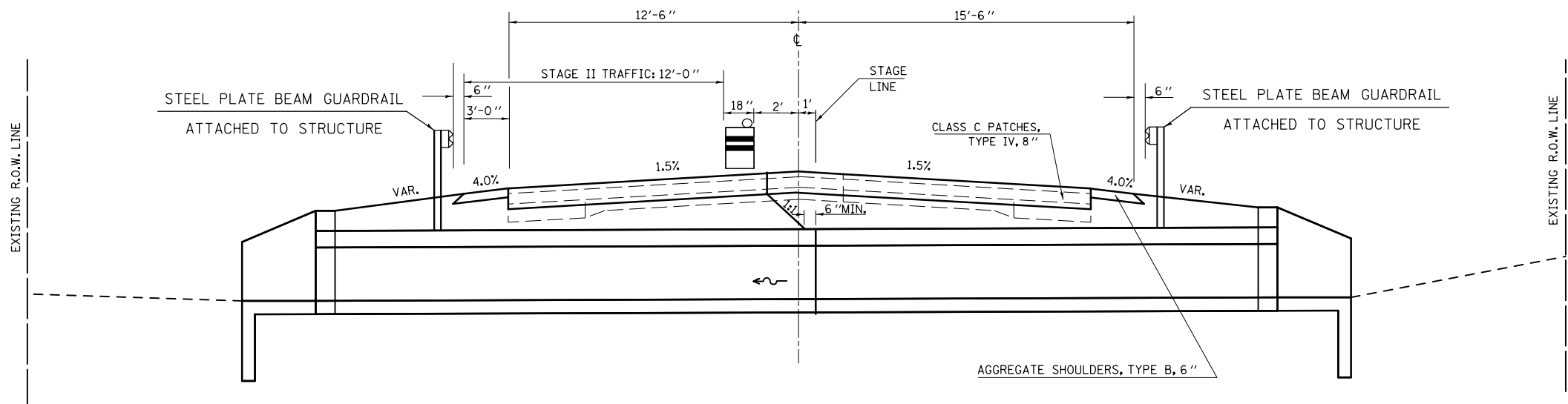


- NOTES**
1. Refer to Special Provisions for TRAFFIC CONTROL AND PROTECTION, STANDARD 701206 and STAGE CONSTRUCTION ACROSS ROAD STRUCTURES for additional information.
 2. The Engineer may reduce or eliminate lengths or locations of Aggregate Shoulders, Type B, 6" and Earth Excavation based on field conditions.
 3. Construct downstream end of A.R. culvert first.
 4. Earth excavated for the construction of Aggregate Shoulders, Type B, 6" shall be deposited and graded to smooth the foreslopes. This excavated earth will be added to the final cross-section volumes for the Earthwork Balance/Waste calculations.
 5. Aggregate Shoulders, Type B, 6" for stage I may be completed at any time prior to stage I. Aggregate Shoulders, Type B, 6" for stage II should not be completed until the half-width culvert from stage I has been constructed.
 6. Replace previously constructed Aggregate Shoulders, Type B, 6" as needed when construction is completed.
 7. CMS boards shall be placed 3 days in advance prior to work.

A. R. CULVERT LOCATION	TRAFFIC CONTROL STANDARD	ESTIMATED TIME	CHANGEABLE MESSAGE SIGNS
STA. 232+00.00	701206	2 Days - 48 hrs. - Non-Stop (2) - 12 hr. Day Shifts (2) - 12 hr. Night Shifts	2 EACH AT 5.0 CAL DAY = 10.0 CAL DAY

TYPICAL STAGING DETAILS

**CULVERT #2 PROPOSED SN 023-2018
STAGE II**



DRAWING NOT TO SCALE

FILE NAME =	USER NAME = keysrb	DESIGNED -	REVISED -	STATE OF ILLINOIS DEPARTMENT OF TRANSPORTATION	TYPICAL STAGING DETAILS PROPOSED CULVERT NO. 2 - S.N. 023-2018	F.A.P. RTE.	SECTION	COUNTY	TOTAL SHEETS	SHEET NO.
c:\pwwork\pwwork\keysrb\d0104347\057068-sht-staging.dgn		DRAWN -	REVISED -			749	14BR,14CR,123CR	EDGAR	115	26
PLOT SCALE = 40.0000' / in.		CHECKED -	REVISED -			CONTRACT NO. 70618				
PLOT DATE = 8/25/2011		DATE -	REVISED -			SCALE:	SHEET NO. 3 OF 5 SHEETS	STA.	TO STA.	ILLINOIS FED. AID PROJECT