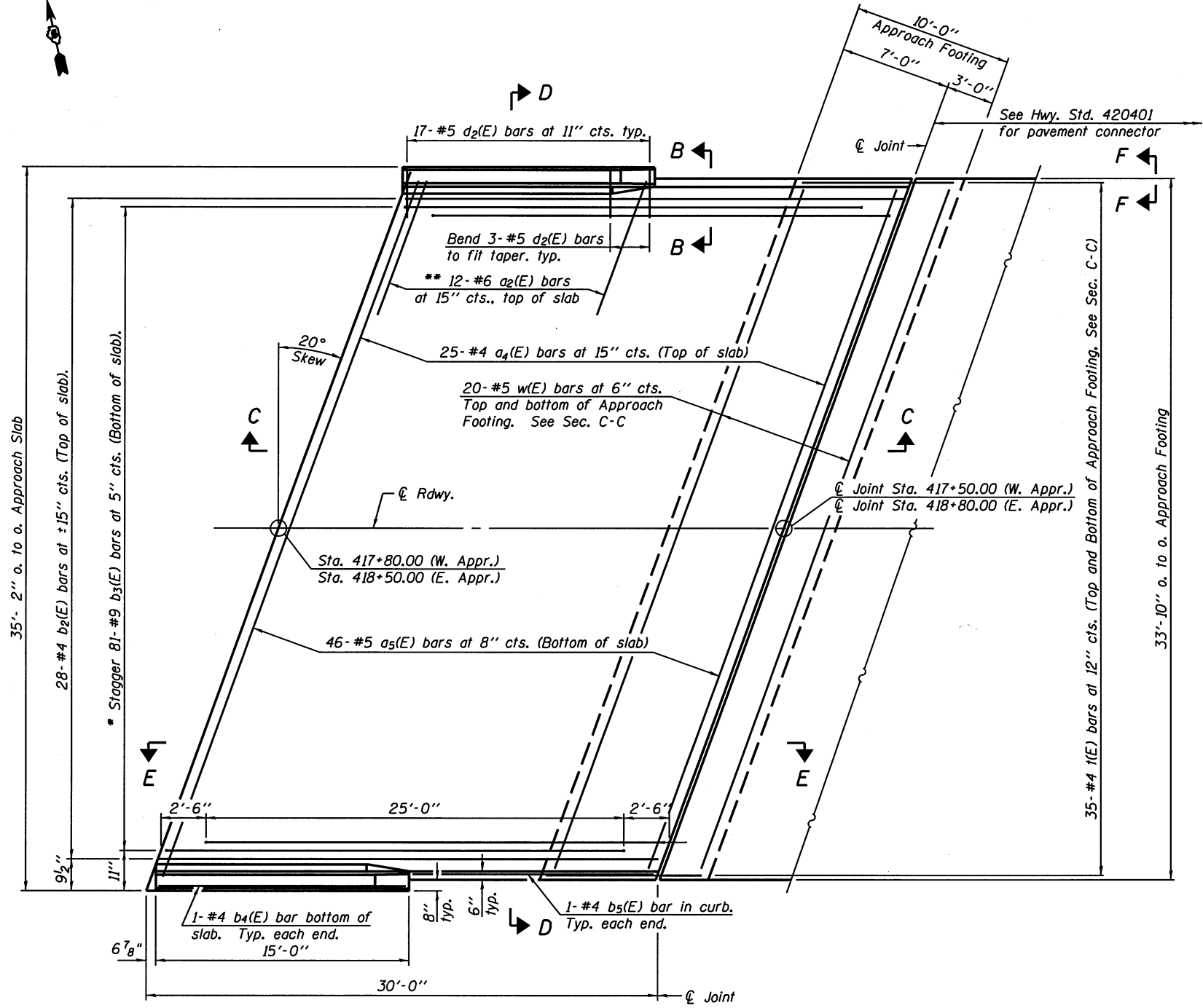
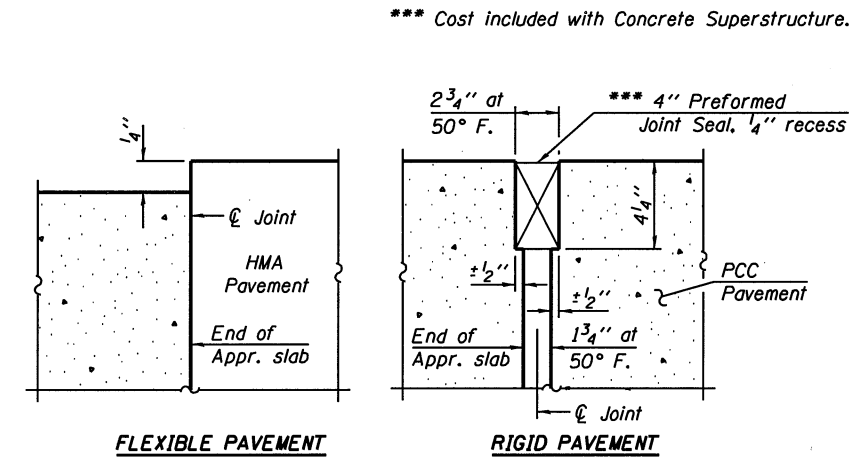


Notes:
See sheet 11 of 21 for Sections C-C & D-D and View E-E.
a₄(E) and a₅(E) bar spacings measured along ϕ Rdwy.

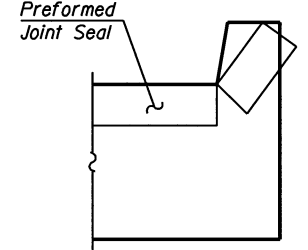
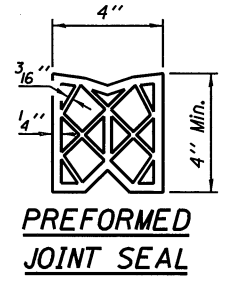


EAST APPROACH PLAN
(West Approach similar)

* Tilt #9 b₃(E) bars as required to maintain clearance.
** Space between a₄(E) bars, typ. each parapet.

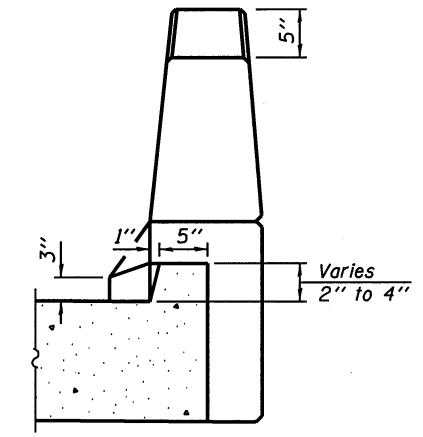


DETAIL A



VIEW F-F

Angle Preformed Joint Seal at 45° at curbs when req'd for drainage.



VIEW B-B

BA-L 7-1-10
BLANK, WESSELINK, COOK & ASSOCIATES DECATUR, ILLINOIS ENGINEERS - CONSULTANTS DESIGN FIRM NO. 184000894

(Sheet 1 of 2)

STATE OF ILLINOIS
DEPARTMENT OF TRANSPORTATION

BRIDGE APPROACH SLAB DETAILS
STRUCTURE NO. 023-0034

F.A.P. RTE. 749	SECTION 14BR	COUNTY EDGAR	TOTAL SHEETS 115	SHEET NO. 50
CONTRACT NO. 70618			ILLINOIS FED. AID PROJECT	

SHEET NO. 10 OF 21 SHEETS