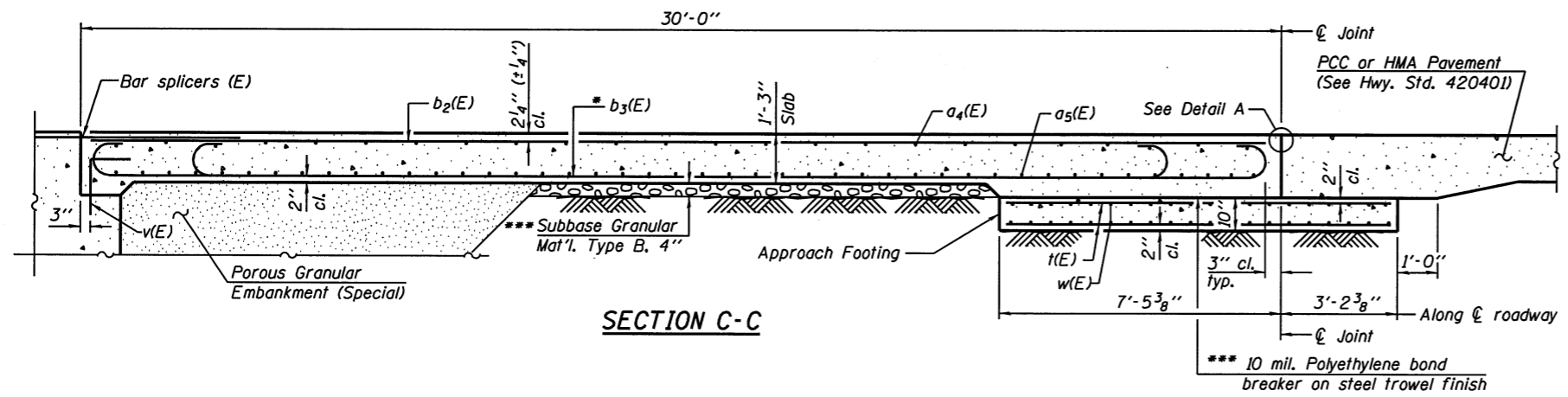
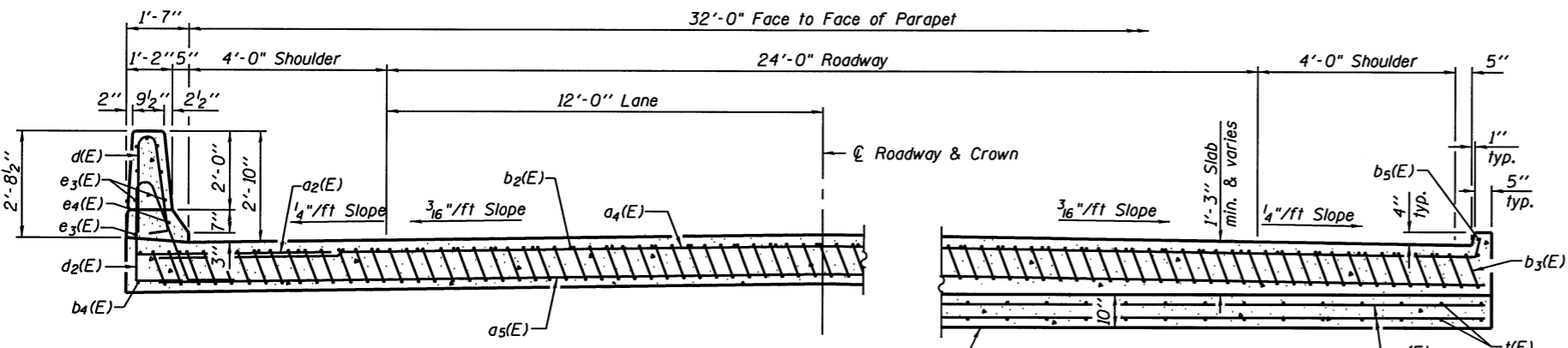


Notes:  
 See sheet 10 of 21 for Detail A and View B-B.  
 Approach slab and parapet concrete shall be paid for as Concrete Superstructure.  
 Approach footing concrete shall be paid for as Concrete Structures.  
 Reinforcement shall be paid for as Reinforcement Bars, Epoxy Coated.  
 For v(E) bar details, see sheet 8 of 21.  
 The approach footing maximum applied service bearing pressure (Omax) = 2.0 ksf.  
 For bar splicer details, see sheet 16 of 21.  
 Cost of excavation for approach footing included with Concrete Structures.  
 For Porous Granular Embankment (Special) and drainage treatment details, see sheet 2 of 21.  
 For additional parapet details, see sheet 10 of 21.



SECTION C-C



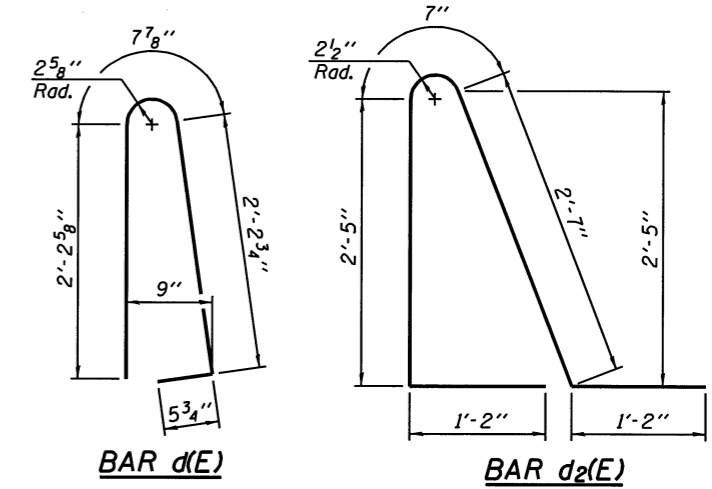
NEAR ABUTMENT

SECTION D-D

(See Plan for dimensions not shown)



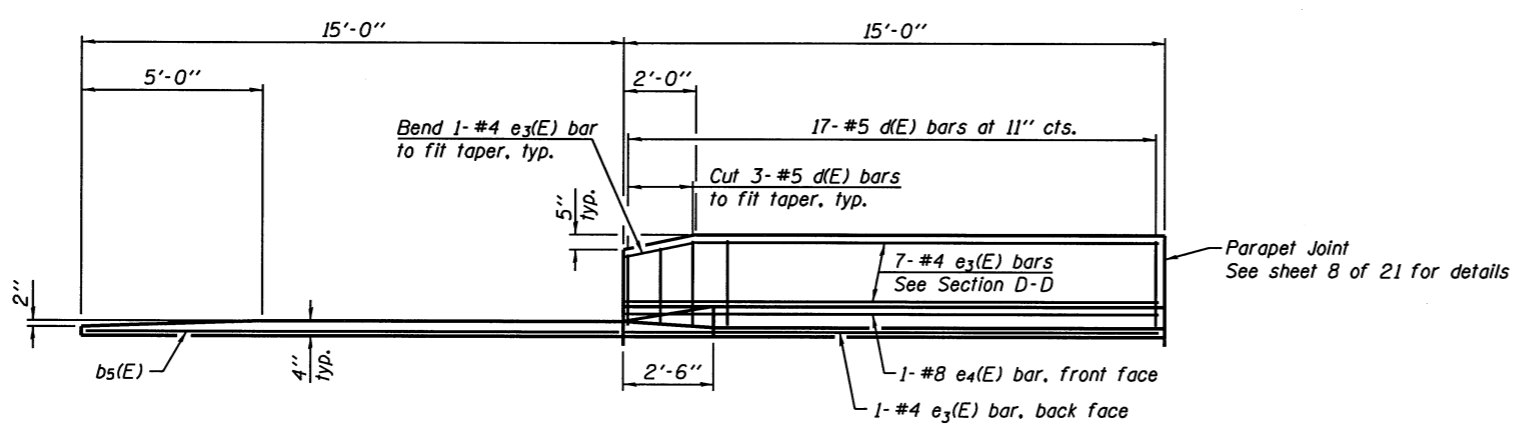
AT APPROACH FOOTING



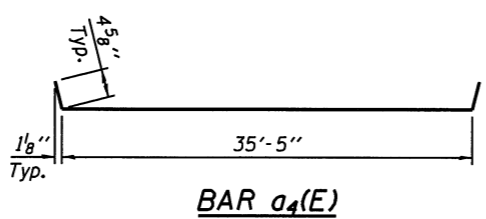
BAR d(E)

BAR d2(E)

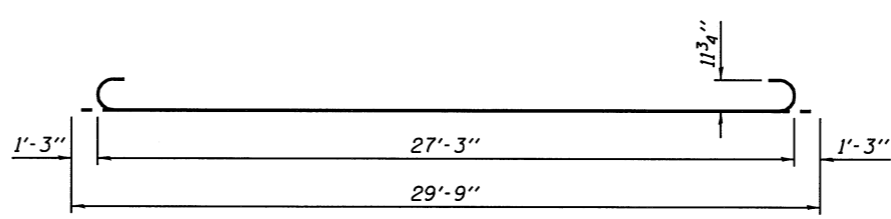
\* Tilt #9 b3(E) bars as required to maintain clearance.  
 \*\*\* Cost included with Concrete Superstructure.



VIEW E-E



BAR a4(E)



BAR b3(E)

TWO APPROACHES  
 BILL OF MATERIAL

Bar	No.	Size	Length	Shape
a2(E)	48	#6	6'-6"	—
a4(E)	50	#4	36'-3"	—
a5(E)	92	#5	35'-7"	—
b2(E)	56	#4	29'-8"	—
b3(E)	162	#9	29'-9"	—
b4(E)	4	#4	14'-8"	—
b5(E)	4	#4	14'-5"	—
d(E)	68	#5	5'-7"	Λ
d2(E)	68	#5	7'-11"	Λ
e3(E)	32	#4	14'-8"	—
e4(E)	4	#8	14'-8"	—
k(E)	140	#4	10'-4"	—
w(E)	80	#5	35'-7"	—
Concrete Superstructure		Cu. Yd.	110	
Concrete Structures		Cu. Yd.	23.7	
Reinforcement Bars, Epoxy Coated		Pound	28040	

BA-L 7-1-10  
 BLANK, WESSELINK, COOK & ASSOCIATES DECATUR, ILLINOIS ENGINEERS - CONSULTANTS DESIGN FIRM NO. 184000894

FILE NAME =	USER NAME =	DESIGNED - PBB	REVISOR -	STATE OF ILLINOIS DEPARTMENT OF TRANSPORTATION	BRIDGE APPROACH SLAB DETAILS STRUCTURE NO. 023-0034	SHEET NO. 11 OF 21 SHEETS	F.A.P. RTE.	SECTION	COUNTY	TOTAL SHEETS	SHEET NO.
	PLOT SCALE =	CHECKED -	REVISOR -				749	14BR	EDGAR	115	51
	PLOT DATE =	DRAWN - RJC	REVISOR -				CONTRACT NO. 70618				
		CHECKED -	REVISOR -				ILLINOIS FED. AID PROJECT				