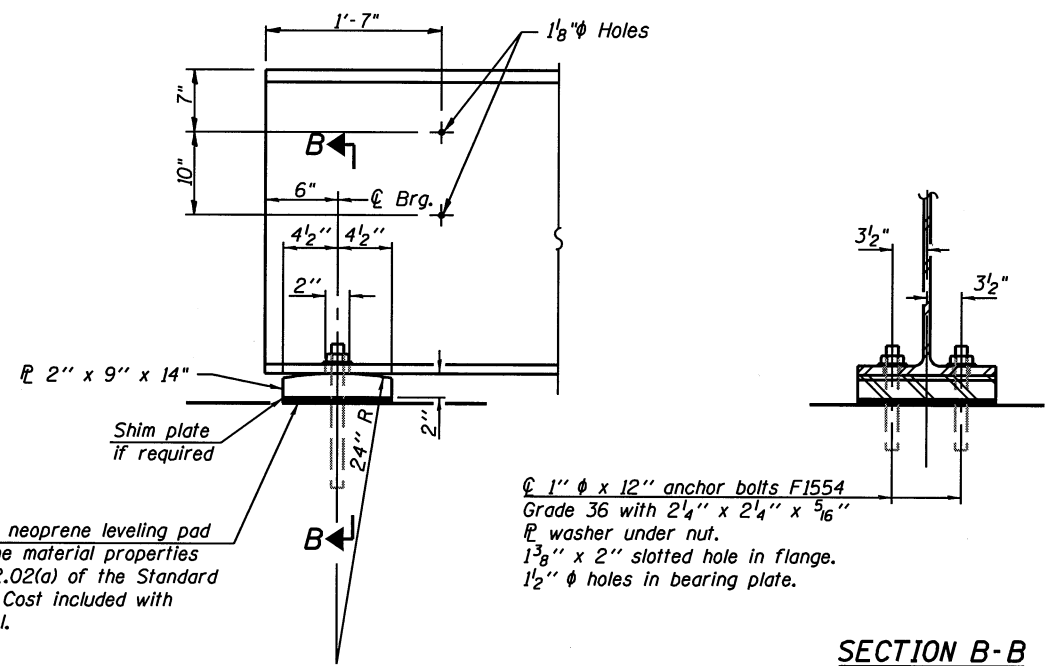


INTERIOR DIAPHRAGM D
(10 Required D)

Note:
Two hardened washers required for each set of oversized holes.

- * Alternate C12x30 channels are permitted to facilitate material acquisition. Calculated weight of structural steel is based on the lighter section. The alternate, if utilized, shall be provided at no extra cost to the Department.
- ** 3/4" ϕ HS bolts, 1 5/16" ϕ holes (Beam), 1 5/16" ϕ holes (Angles)



ELEVATION AT ABUTMENT

FIXED BEARING

Notes:
Anchor bolts shall be ASTM F1554 all-thread (or an Engineer-approved alternate material) of the grade(s) and diameter(s) specified. ASTM A307 Grade C anchor bolts may be used in lieu of ASTM F1554 Grade 36 (Fy=36ksi). The corresponding specified grade of AASHTO M314 anchor bolts may be used in lieu of ASTM F1554.
Anchor bolts at fixed bearings may be either cast in place or installed in holes drilled after the supported member is in place.
Drilled and set anchor bolts shall be installed according to Article 521.06 of the Standard Specifications.
Two 3x3x5/16" plate washers are required for each slotted hole.
Load carrying components designated "NTR" shall conform to the Supplemental Requirements for Notch Toughness, Zone 2.

1/8" elastomeric neoprene leveling pad according to the material properties of Article 1052.02(a) of the Standard Specifications. Cost included with Structural Steel.

1" ϕ x 12" anchor bolts F1554 Grade 36 with 2 1/4" x 2 1/4" x 5/16" washer under nut.
1 3/8" x 2" slotted hole in flange.
1 1/2" ϕ holes in bearing plate.

FILE NAME =	USER NAME =	DESIGNED - PBB	REVISED -	STATE OF ILLINOIS DEPARTMENT OF TRANSPORTATION	STRUCTURAL STEEL DETAILS STRUCTURE NO. 023-0034	F.A.P. RTE.	SECTION	COUNTY	TOTAL SHEETS	SHEET NO.
PLOT SCALE =	DRAWN - RJC	REVISED -	749			14BR	EDGAR	115	53	
PLOT DATE =	CHECKED -	REVISED -	CONTRACT NO. 70618							
SHEET NO. 13 OF 21 SHEETS						ILLINOIS FED. AID PROJECT				