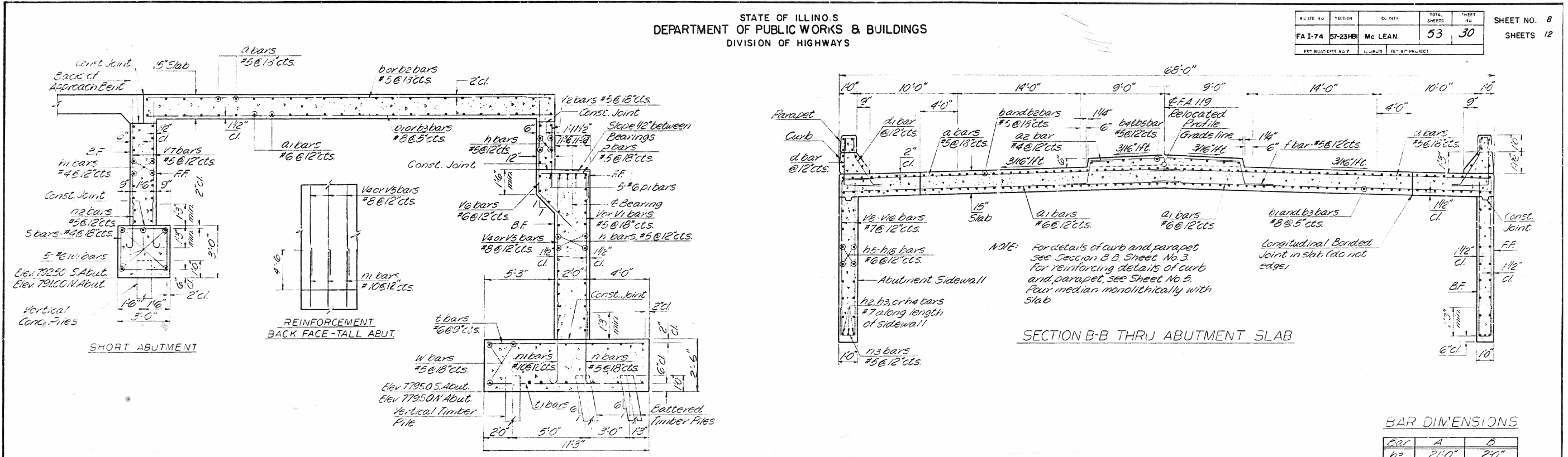


# AS-BUILT PLANS - S.N. 057-0132 FOR INFORMATION ONLY

STATE OF ILLINOIS  
DEPARTMENT OF PUBLIC WORKS & BUILDINGS  
DIVISION OF HIGHWAYS

ROUTE NO.	SECTION	COUNTY	TOTAL SHEETS	SHEET NO.	SHEET NO. 8 SHEETS 12
FAI-74	57-23HB	McLEAN	53	30	
PROJECT NO.		PROJECT			



SECTION A-A THRU ABUTMENT

TALL ABUTMENT

SECTION B-B THRU ABUTMENT SLAB

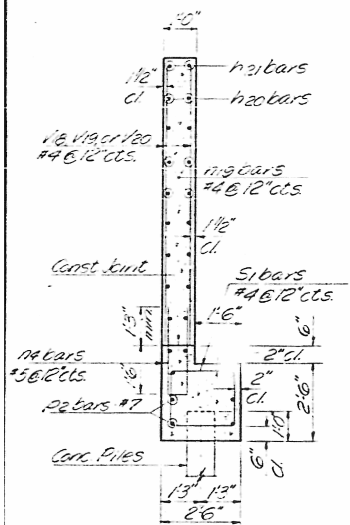
BAR DIMENSIONS

Bar	A	B
h3	21'-0"	2'-0"
h4	17'-6"	2'-0"
h5	7'-0"	3'-0"
h6	23'-9"	3'-0"
h7	20'-9"	3'-0"
h8	22'-0"	3'-0"
h9	18'-10"	3'-0"
h13	9'-0"	3'-0"
n	4'-0"	7'
n1	7'-9"	1'-7"
n2	3'-0"	7'
n3	9"	13"
n4	9"	2'-9"
s	2'-8"	2'-4"
s1	2'-2"	1'-10"
v6	21'-8"	1'-9"
v9	20'-8"	1'-9"
v10	8'-0"	1'-9"

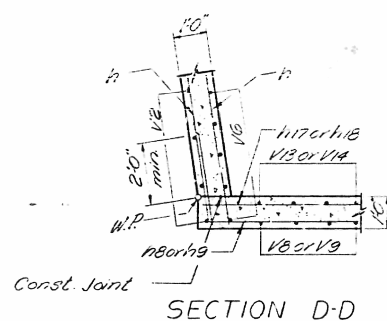
MIN. EAR LAPS

SIZE	LAP
#4	1'-0"
#5	1'-3"
#6	1'-6"
#7	1'-9"
#8	2'-0"
#10	2'-7"

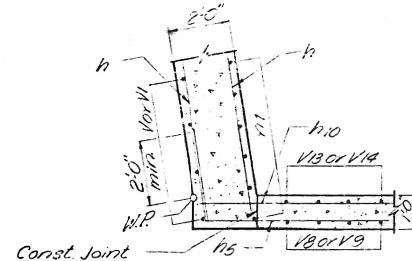
**ABUTMENTS**  
RELOCATED FAI-74 SECT. 57-23 HB-1  
McLEAN COUNTY  
STA. 308+57.53 & FAI-74



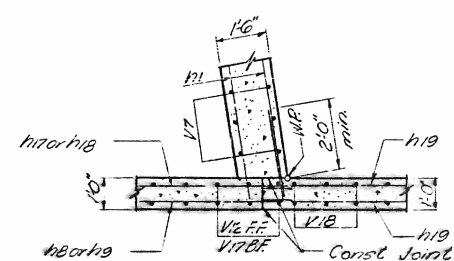
SECTION C-C THRU WINGWALL



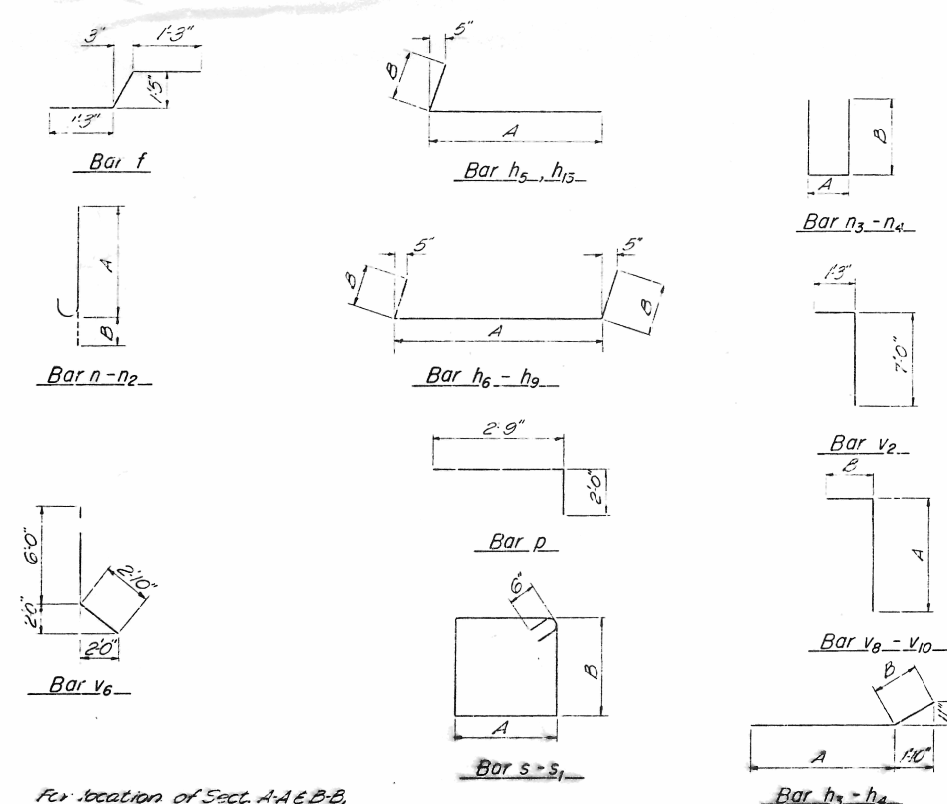
SECTION D-D



SECTION E-E



SECTION F-F



For location of Sect. A-A & B-B, see Sheet No. 6.  
For location of Sect. C-C thru F-F, see Sheet No. 7.

DESIGNED J.C. FARRE	EXAMINED	19
CHECKED S.J. SHAH	ENGINEER OF BRIDGE AND TRAFFIC STRUCTURES	
DRAWN L.R. SKUDERA	PASSED	
CHECKED R.M. GARCIA	ENGINEER OF DESIGN	
	APPROVED	
	CHIEF HIGHWAY ENGINEER	

FILE NAME =	USER NAME = ppersonbr	DESIGNED - GMS	REVISED -
ct:\pw\work\p\dot\personbr\d0184863\050648 - Bridge Repair Plans.dgn		DRAWN - GMS	REVISED -
PLOT SCALE = 48.0000' / in.		CHECKED -	REVISED -
PLOT DATE = 8/25/2011		DATE -	REVISED -

STATE OF ILLINOIS  
DEPARTMENT OF TRANSPORTATION

AS-BUILT PLANS - S.N. 057-0132  
FOR INFORMATION ONLY

SCALE: SHEET NO. 9 OF 11 SHEETS STA. TO STA.

F.A.I. RTE.	SECTION	COUNTY	TOTAL SHEETS	SHEET NO.
74	(57-23,57-24)RS-1	MCLEAN	175	98
			CONTRACT NO. 70648	
ILLINOIS FED. AID PROJECT				