

DRAINAGE STRUCTURE IMPROVEMENT DETAIL

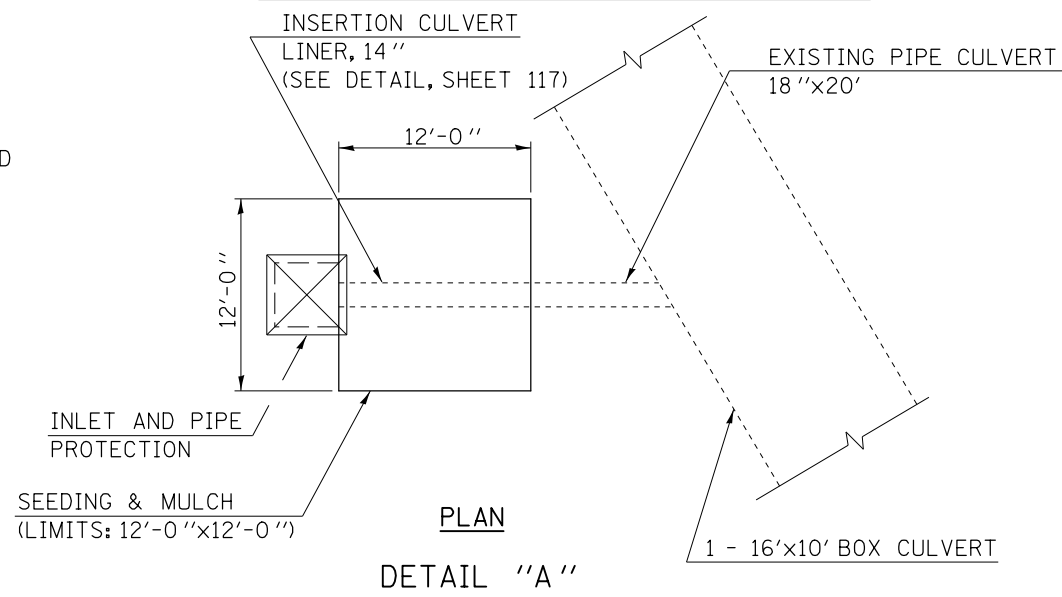
LOCATION #10 STA. 247+00.00

BILL OF MATERIALS

NOTE:

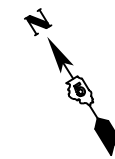
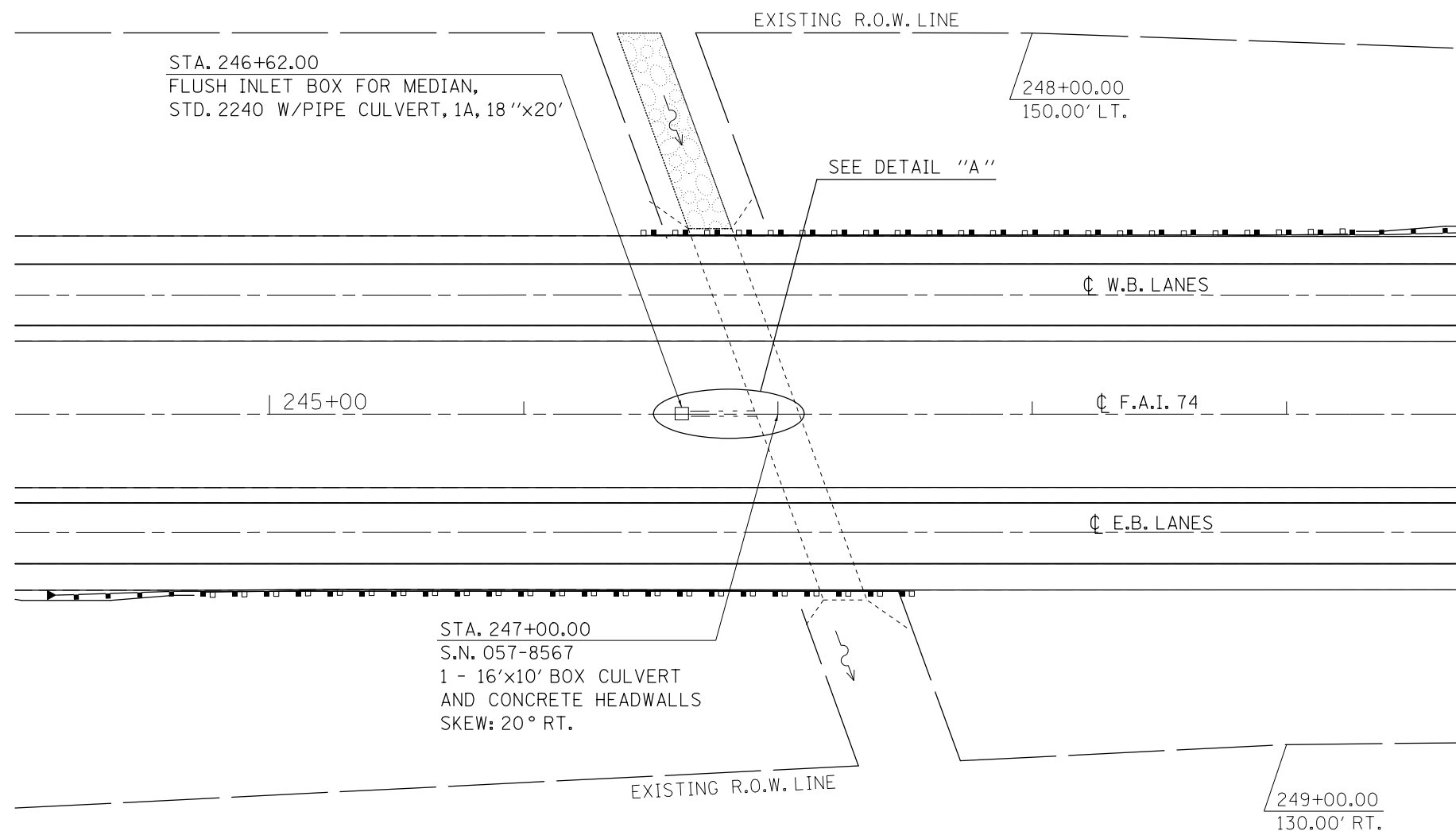
THE EXISTING STRUCTURE AT STATION 247+00.00 CONSISTS OF A MEDIAN INLET BOX WITH A 18" CMP CULVERT THAT DRAINS INTO A 16' X 10' CONCRETE BOX CULVERT. THE 18" CMP CONNECTING THE OFFSET MEDIAN TO THE CONCRETE BOX CULVERT IS HEAVILY RUSTED AND IS BEGINNING TO FAIL. THIS FAILURE IS CAUSING SINK HOLES AND DRAINAGE ISSUES AROUND THE MEDIAN INLET BOX.

THE PROPOSED SCOPE OF WORK IS TO INSERT A CULVERT LINER INTO THE EXISTING CMP TO REMOVE THE CULVERT DEFICIENCY AND TO IMPROVE DRAINAGE. ALL SINK HOLES AROUND THE STRUCTURE SHALL BE FILLED TO FINISH GRADE AND WILL BE PAID FOR SEPARATELY AS FURNISHED EXCAVATION.



LOCATION # 10; STATION 247+00.00

ITEM #	DESCRIPTION	UNIT	QUANTITY
20400800	FURNISHED EXCAVATION	CU YD	6.00
25000210	SEEDING, CLASS 2A	ACRE	0.003
25000400	NITROGEN FERTILIZER NUTRIENT	POUND	0.27
25000500	PHOSPHORUS FERTILIZER NUTRIENT	POUND	0.27
25000600	POTASSIUM FERTILIZER NUTRIENT	POUND	0.27
25100115	MULCH, METHOD 2	ACRE	0.003
28000250	TEMPORARY EROSION CONTROL SEEDING	POUND	0.30
28000500	INLET AND PIPE PROTECTION	EACH	1.00
54390110	INSERTION CULVERT LINER, 14"	FOOT	20.00



FILE NAME =	USER NAME = ppersonbr	DESIGNED - GAE	REVISED -	STATE OF ILLINOIS DEPARTMENT OF TRANSPORTATION	DRAINAGE STRUCTURE IMPROVEMENT DETAIL			F.A.I. RTE.	SECTION	COUNTY	TOTAL SHEETS	SHEET NO.	
		DRAWN - BBP	REVISED -		LOCATION #10 STA. 247+00.00			74	(57-23,57-24)RS-1	MCLEAN	175	112	
		CHECKED -	REVISED -		SCALE: 1" = 30'			SHEET NO. 1 OF 1 SHEETS		STA. TO STA.		CONTRACT NO. 70648	
		DATE - 07/11/11	REVISED -		ILLINOIS FED. AID PROJECT								