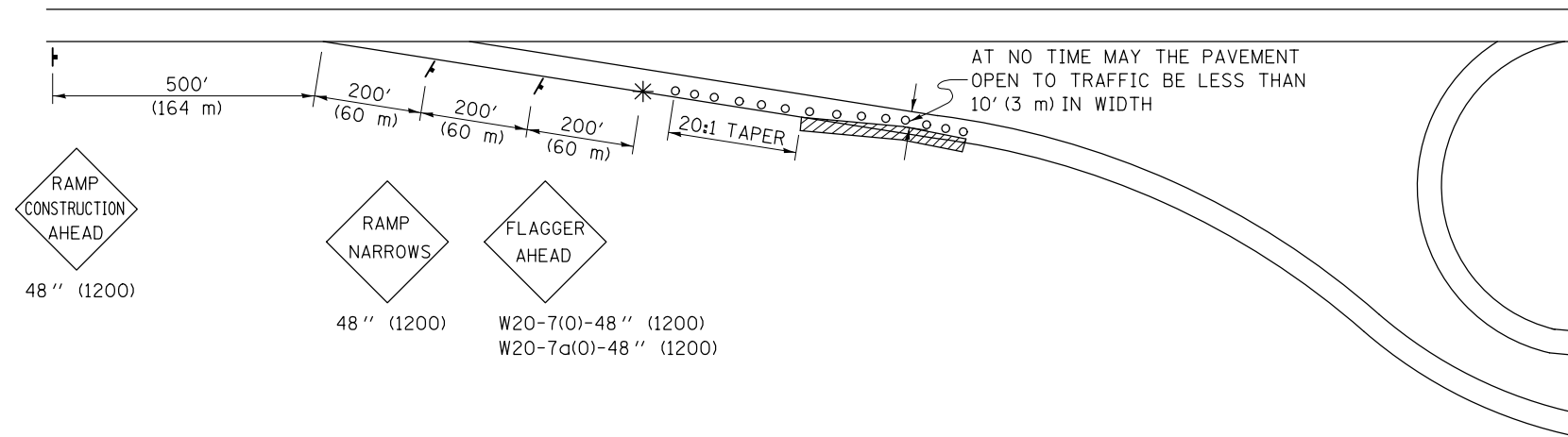


**APPLICATION NO. 1
DAY OPERATION ONLY
PARTIAL RAMP CLOSURE**



GENERAL NOTES

CONSTRUCTION OPERATIONS SHALL BE CONFINED TO AN AREA NARROW ENOUGH THAT A MINIMUM OF 10' (3 m) OF PAVEMENT SHALL BE OPEN TO TRAFFIC AT ALL TIMES.

FULL WIDTH PAVEMENT ON THE RAMPS SHALL BE OPEN TO TRAFFIC AT NIGHT.

WHEN NO WORK IS BEING PERFORMED, THE FLAGGER WILL NOT BE REQUIRED. IF THE FLAGGER IS NOT PRESENT, THE FLAGGER SIGNS SHALL BE REMOVED OR COVERED.

ALL SIGNS SHALL BE POST MOUNTED IF WORK IN THE AREA EXCEEDS FOUR DAYS OF DAYTIME OPERATIONS.

LONGITUDINAL DIMENSIONS MAY BE ADJUSTED SLIGHTLY TO FIT FIELD CONDITIONS.

ALL VEHICLES, EQUIPMENT, WORKERS (EXCEPT FLAGGER) AND THEIR ACTIVITIES ARE RESTRICTED AT ALL TIMES TO ONE SIDE OF THE PAVEMENT UNLESS OTHERWISE AUTHORIZED BY THE DISTRICT ENGINEER.

SYMBOLS

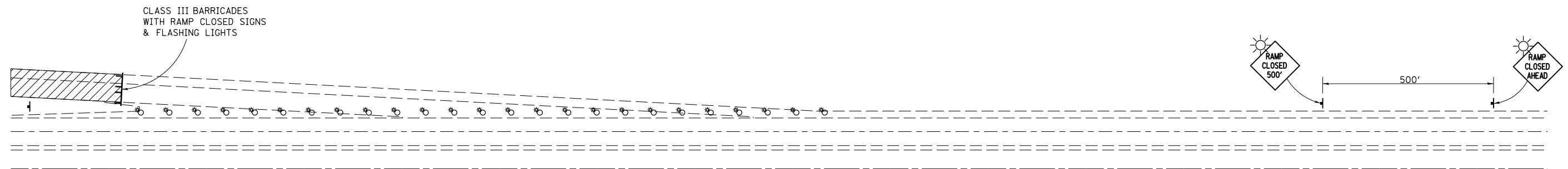
- (APPLICATION NO. 1) TYPE I OR II BARRICADES OR DRUMS @ 50' (15 m) CTS.
- ⊗ (APPLICATION NO. 2) TYPE I OR II BARRICADES OR DRUMS @ 25' (7.5 m) CTS. W/STEADY BURNING LIGHTS
- * (APPLICATION NO. 1) FLAGGER PLACED AS DIRECTED BY THE ENGINEER
- † SIGN ON PORTABLE OR PERMANENT SUPPORT
- ▨ WORK AREA

TYPICAL APPLICATIONS

- PAVEMENT PATCHING
- PIPE UNDERDRAINS
- HMA RESURFACING

Traffic Control for all ramps shall be in accordance with the appropriate application of plan detail **TRAFFIC CONTROL FOR RAMPS** and will not be paid for separately, but shall be included in the contract lump sum prices for Traffic Control and Protection, Standard 701401 and Traffic Control and Protection, Standard 701406.

**APPLICATION NO. 2
RAMP CLOSURE**



GENERAL NOTES

STEADY BURN LIGHTS ARE NOT REQUIRED FOR DAYTIME OPERATIONS.

CONTACT THE DISTRICT TRAFFIC OPERATIONS ENGINEER AT 217-465-4181, ONE WEEK PRIOR TO CLOSING THE RAMP.

Note: All dimensions are in INCHES (millimeters) unless otherwise shown.

FILE NAME =	USER NAME = ppersonbr	DESIGNED -	REVISED - 11/06
et:\pw\work\p\idot\ppersonbr\d0184863\0570648-sh-t-details.dgn		DRAWN -	REVISED -
	PLOT SCALE = 48.0000' / in.	CHECKED -	REVISED -
	PLOT DATE = 8/26/2011	DATE -	REVISED -

**STATE OF ILLINOIS
DEPARTMENT OF TRANSPORTATION**

TRAFFIC CONTROL FOR RAMPS

SCALE: SHEET NO. 1 OF 1 SHEETS STA. TO STA.

DISTRICT 5 DETAIL NO. 70103710

F.A.I. RTE.	SECTION	COUNTY	TOTAL SHEETS	SHEET NO.
74	(57-23,57-24)RS-1	MCLEAN	175	170
CONTRACT NO. 70648				
FED. ROAD DIST. NO.		ILLINOIS FED. AID PROJECT		