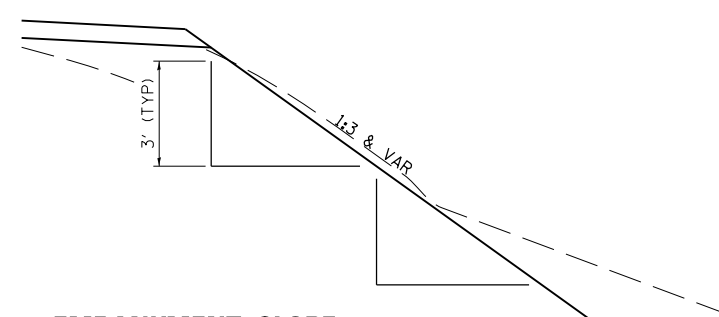
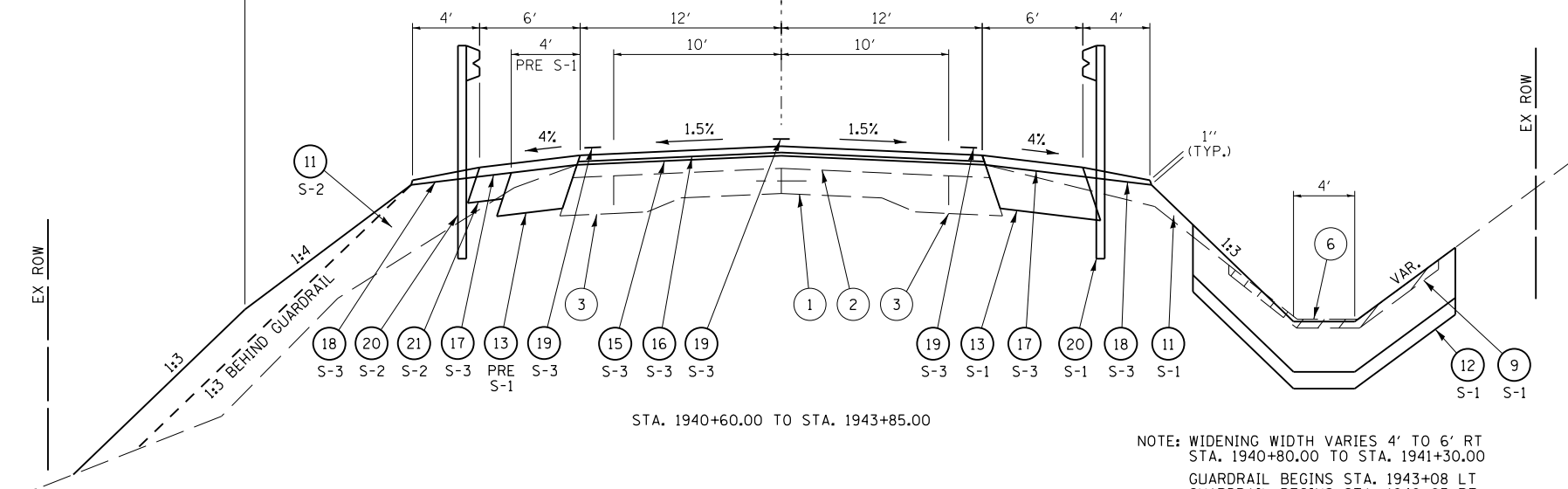
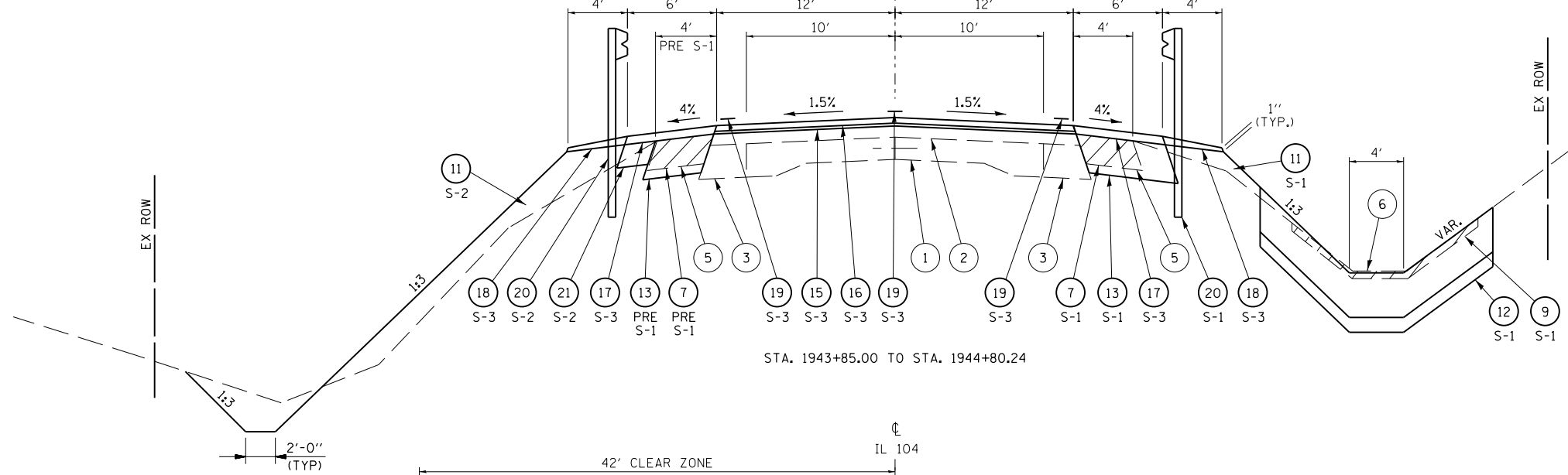
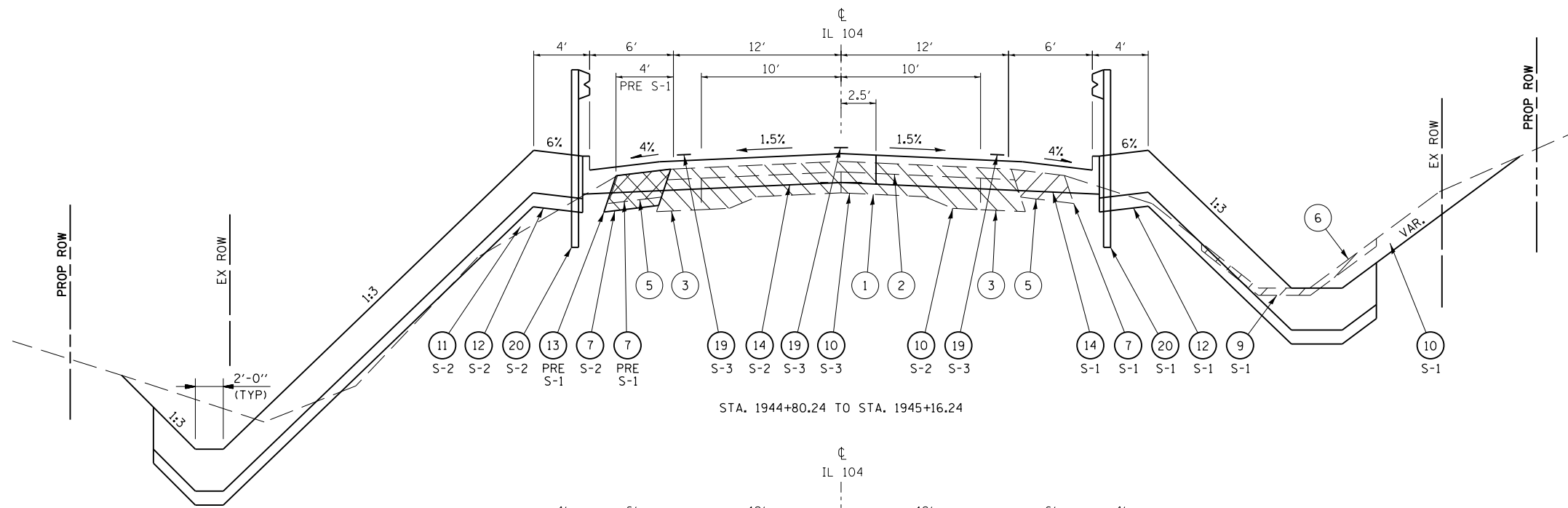


**EMBANKMENT SLOPE STEPPING DETAIL**



**LEGEND**

- 1 EXIST. PCC PAVEMENT 9-6-9
- 2 EXIST. HMA RESURFACING, 6"
- 3 EXIST. HMA BASE CSE WIDENING 9"
- 4 EXIST. CONCRETE GUTTER
- 5 EXIST. HMA SHOULDERS, 12"
- 6 EXIST. CONC. PAVED DITCH
- 7 PROP. PAVED SHOULDER REMOVAL
- 8 PROP. GUTTER REMOVAL
- 9 PROP. PAVED DITCH REMOVAL
- 10 PROP. PAVMENT REMOVAL
- 11 PROP. EARTHWORK (EXCAVATION & EMBANKMENT)
- 12 PROP. RIPRAP, CLASS A4
- 13 PROP. HMA BSE CRSE WIDENING, 10"
- 14 PROP. BRIDGE APPROACH PAVEMENT (STD 420401)
- 15 PROP. LEVELING BINDER (MACHINE METH), N50, 3/4" & VAR
- 16 PROP. HMA SURFACE CRSE, MIX C, N50, 1 1/2"
- 17 PROP. HMA SHOULDERS, 2 1/4"
- 18 PROP. AGGREGATE SHOULDERS, TYPE B
- 19 PROP. PAINT PAVEMENT MARKING - LINE 5"
- 20 PROP. GUARDRAIL
- 21 PROP. HMA SHOULDERS, 6"



NOTE: WIDENING WIDTH VARIES 4' TO 6' RT  
 STA. 1940+80.00 TO STA. 1941+30.00  
 GUARDRAIL BEGINS STA. 1943+08 LT  
 GUARDRAIL BEGINS STA. 1940+83 RT

NOT TO SCALE

**STATE OF ILLINOIS  
 DEPARTMENT OF TRANSPORTATION**

**TYPICAL SECTIONS**

USER NAME = sparksgw	DESIGNED -	REVISED -
	DRAWN - AAD	REVISED -
PLOT SCALE = 10.0000' / in.	CHECKED - JA	REVISED -
PLOT DATE = Sep-01-2011 08:58:33AM	DATE - 6/13/11	REVISED -

SCALE: NONE	SHEET NO.	OF SHEETS	STA.	TO STA.
-------------	-----------	-----------	------	---------

F.A.P. RTE.	SECTION	COUNTY	TOTAL SHEETS	SHEET NO.
745	108B-2	PIKE	64	5
CONTRACT NO. 72981				
FED. ROAD DIST. NO. 6 ILLINOIS FED. AID PROJECT				