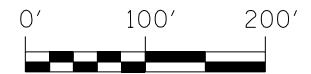
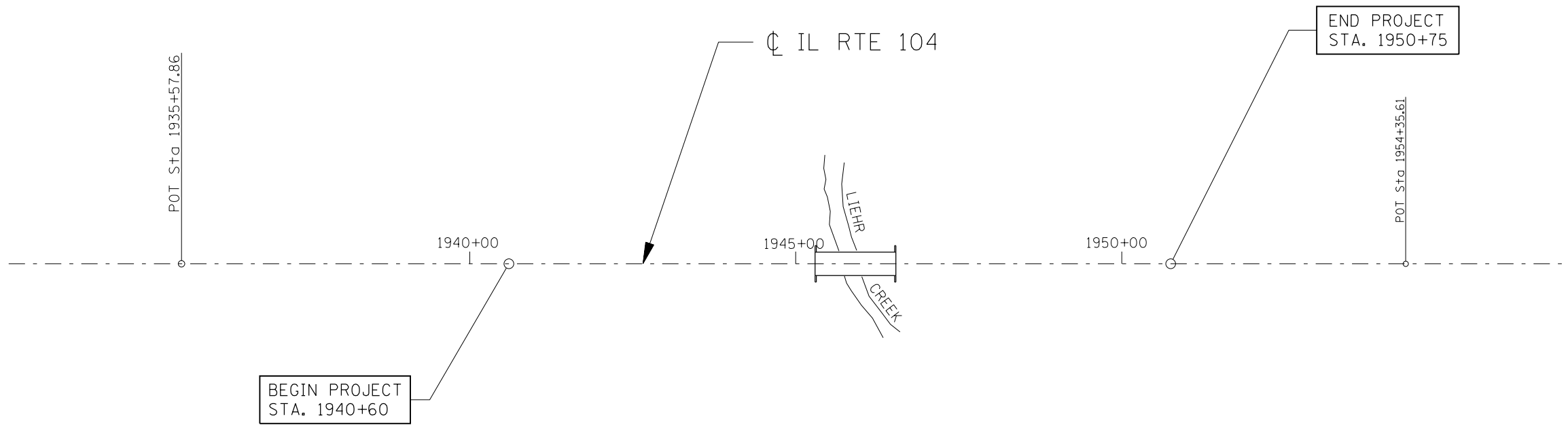


B.M. DA 1
 CHISELED "D" ON TOP OF
 NORTH WINGWALL OF EAST
 ABUTMENT OF BRIDGE #075-0030
 STA. 1946+25, 18' LT. ELEV. 523.27



USER NAME = sparksgw	DESIGNED -	REVISED -
	DRAWN -	REVISED -
PLOT SCALE = 200.0000' / in.	CHECKED - JA	REVISED -
PLOT DATE = Sep-01-2011 08:58:37AM	DATE - 6/13/11	REVISED -

STATE OF ILLINOIS
 DEPARTMENT OF TRANSPORTATION

ALIGNMENT, TIES & BENCHMARKS

SCALE: 1" = 100' SHEET NO. OF SHEETS STA. TO STA.

F.A.P. RTE.	SECTION	COUNTY	TOTAL SHEETS	SHEET NO.
745	108B-2	PIKE	64	8
CONTRACT NO. 72981				
FED. ROAD DIST. NO. 6 ILLINOIS FED. AID PROJECT				

FILE NAME = c:\pw\work\pwidot\sparksgw\d0280163\0672981-sht-ATB.dgn