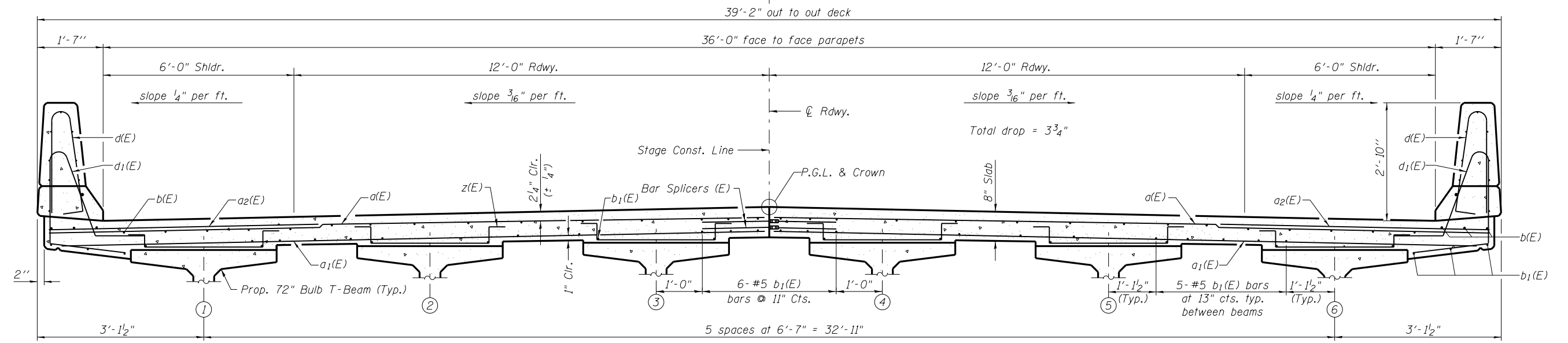


Notes:
 See sheet 9 of 22 for superstructure details and Bill of Material.
 For Section A-A and diaphragm details see sheet 10 of 22.
 Bars indicated thus 36 x 4-#5 etc. indicates 36 lines of bars with 4 lengths per line.
 See sheet 9 of 22 for parapet reinforcement.



MINIMUM BAR LAP
 #5 = 2'-7" (Deck)

HOELSCHER ENGINEERING
 Fairview Heights, IL
 Springfield, IL
 Champaign, IL

FILE NAME = IL104 over Liehr Creek.dgn	USER NAME =	DESIGNED - CMW	REVISD -	STATE OF ILLINOIS DEPARTMENT OF TRANSPORTATION	SUPERSTRUCTURE F.A.P.-745 (IL 104) OVER LIEHR CREEK - S.N. 075-0512	F.A.P. RTE. 745	SECTION 108B-2	COUNTY PIKE	TOTAL SHEETS 64	SHEET NO. 32	
	PLOT SCALE =	CHECKED - SAL	REVISD -			CONTRACT NO. 72981					
	PLOT DATE =	DRAWN - TJW	REVISD -			SHEET NO. 8 OF 22 SHEETS					
		CHECKED - SAL	REVISD -			FED. RD. DIST. NO. 6 ILLINOIS FED. AID PROJECT					