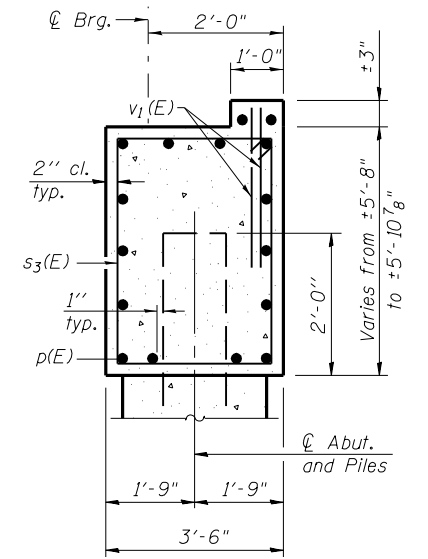
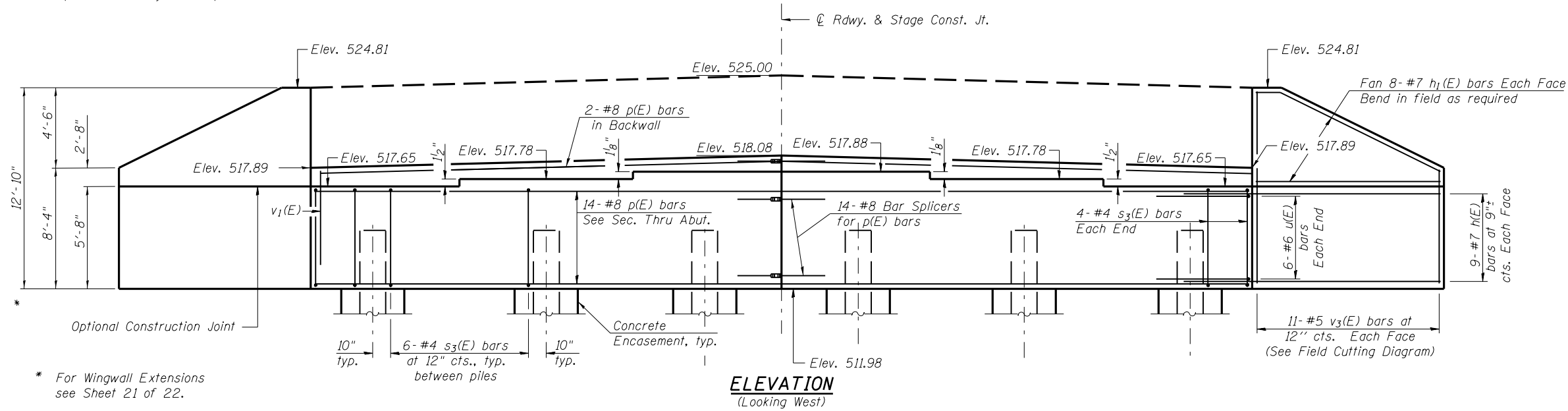


Notes:  
Pour steps monolithically with cap.



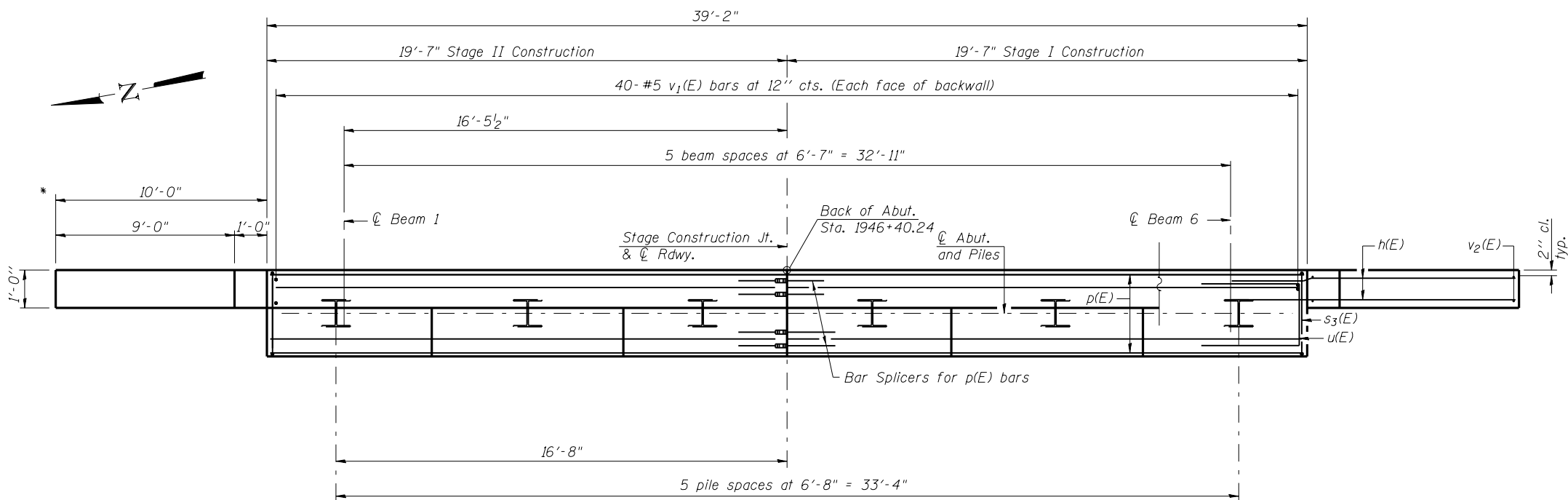
SEC. THRU ABUT.

BILL OF MATERIAL

Bar	No.	Size	Length	Shape
h(E)	36	#7	12'-5"	—
h1(E)	32	#7	9'-10"	—
p(E)	32	#8	19'-4"	—
s3(E)	38	#4	17'-8"	□
u(E)	12	#6	10'-3"	—
v1(E)	80	#5	2'-0"	—
v2(E)	22	#5	20'-10"	—
** Structure Excavation		Cu. Yd.	215	
Concrete Structures		Cu. Yd.	37.5	
Reinforcement Bars, Epoxy Coated		Pound	4490	
Furnishing Steel Piles, HP14x89		Foot	84	
Setting Piles in Rock		Each	6	
Concrete Encasement		Cu. Yd.	3.3	
Bar Splicers		Each	16	

\*\* Quantity Includes subtotal for Wingwall Extensions.

For details of Bar Splicers, see sheet 19 of 22. For details of piles and Concrete Encasement, see sheet 20 of 22.

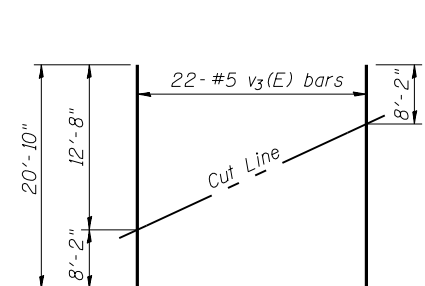


PLAN

PILE DATA

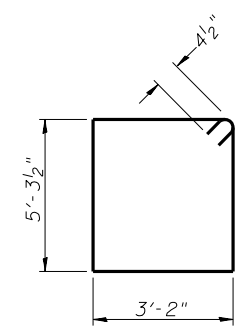
Type: Steel HP 14x89  
Nominal Required Bearing: Set in Rock  
Factored Resistance Available: 300 K  
Est. Length: 14'-0"  
No. Production Piles: 6  
No. Test Piles: 0  
Est. Top of Rock Elev. = 505.0  
Rock Socket Depth = 5'-0"  
Rock Socket Diameter = 30"

**HOELSCHER ENGINEERING**  
Fairview Heights, IL  
Springfield, IL  
Champaign, IL

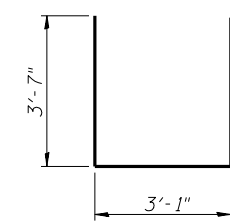


FIELD CUTTING DIAGRAM

Order v3(E) full length. Cut as shown and use remainder of bars in opposite face.



BAR s3(E)



BAR u(E)

FILE NAME = IL104 over Liehr Creek.dgn	USER NAME =	DESIGNED - CMW	REVISED -
		CHECKED - SAL	REVISED -
	PLOT SCALE =	DRAWN - TJW	REVISED -
	PLOT DATE =	CHECKED - SAL	REVISED -

STATE OF ILLINOIS  
DEPARTMENT OF TRANSPORTATION

EAST ABUTMENT DETAILS  
F.A.P.-745 (IL 104) OVER LIEHR CREEK - S.N. 075-0512

SHEET NO. 17 OF 22 SHEETS

F.A.P. RTE.	SECTION	COUNTY	TOTAL SHEETS	SHEET NO.
745	108B-2	PIKE	64	41
CONTRACT NO. 72981				
FED. RD. DIST. NO. 6 ILLINOIS FED. AID PROJECT				